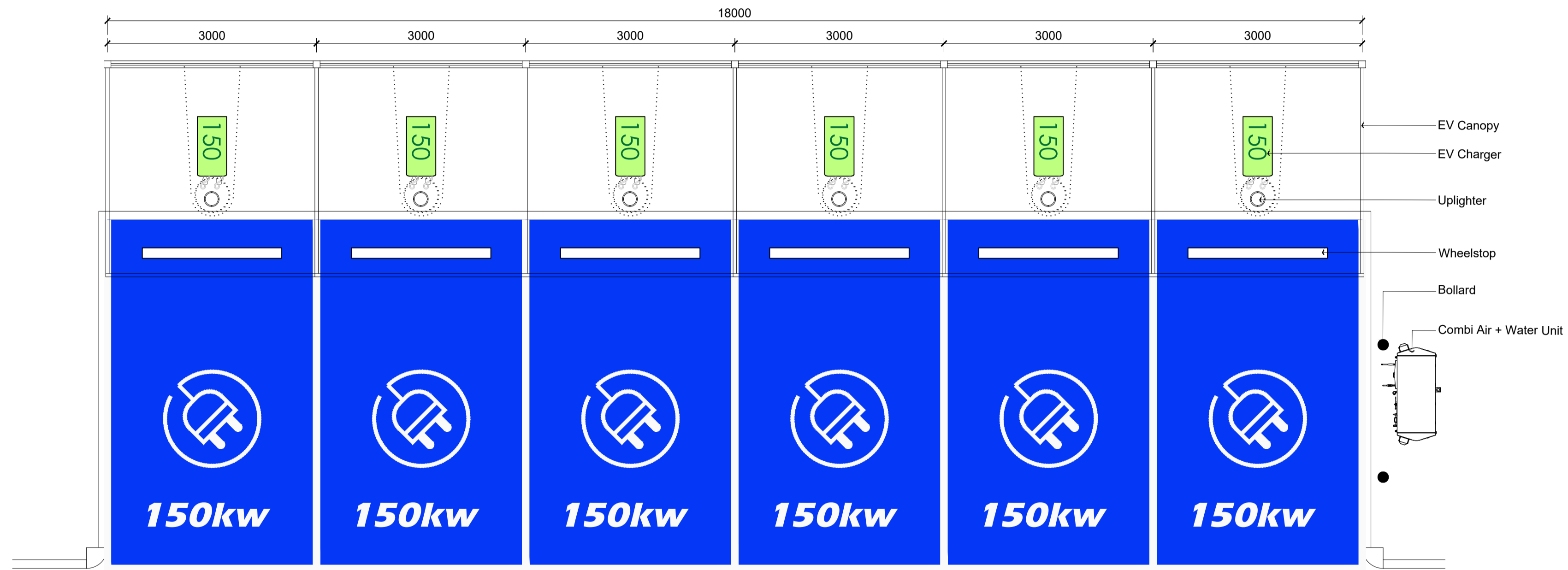
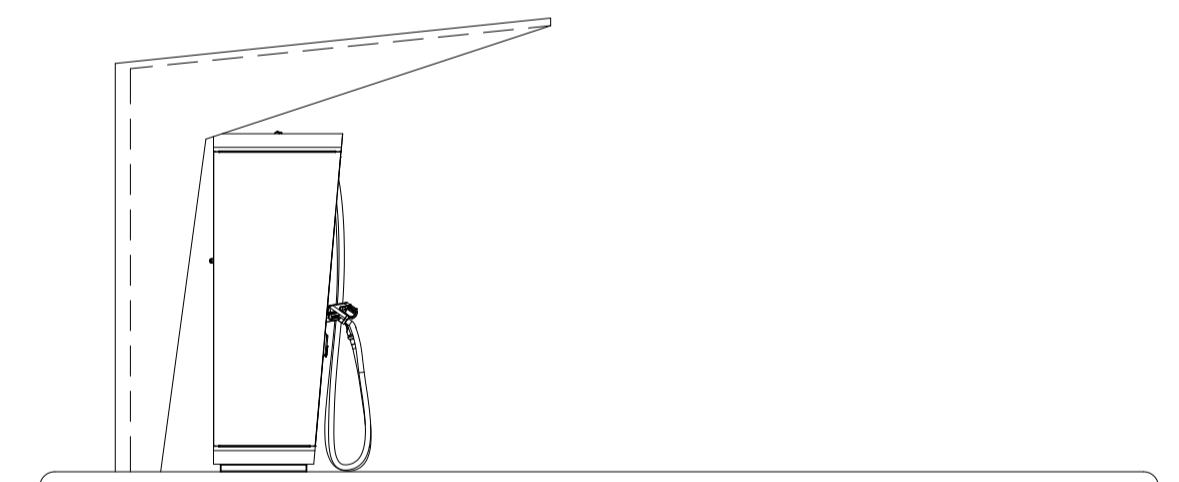


EV Canopy - Front Elevation



EV Bays - Plan View



EV Canopy - Side Elevation
Scale - 1:50

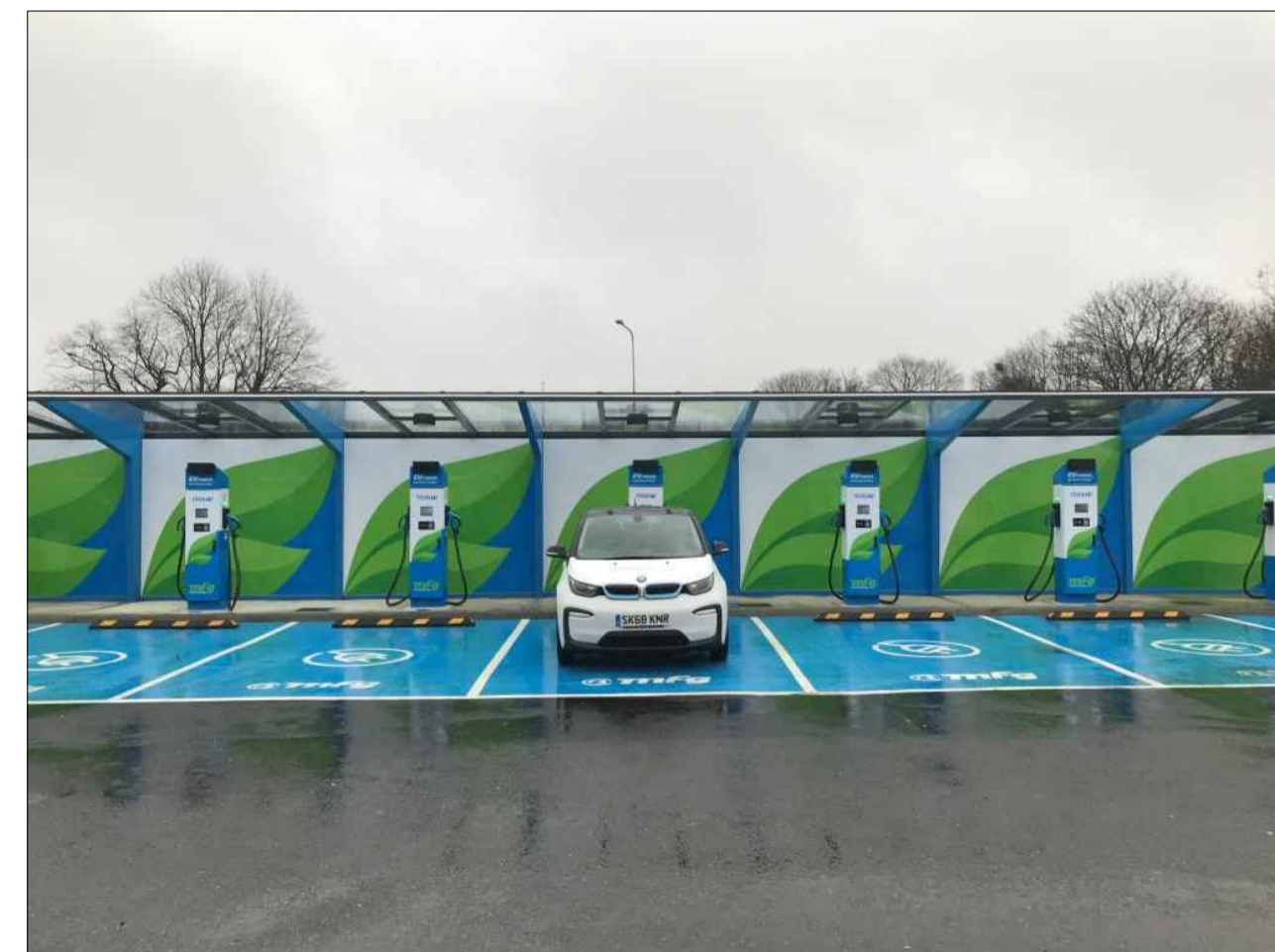
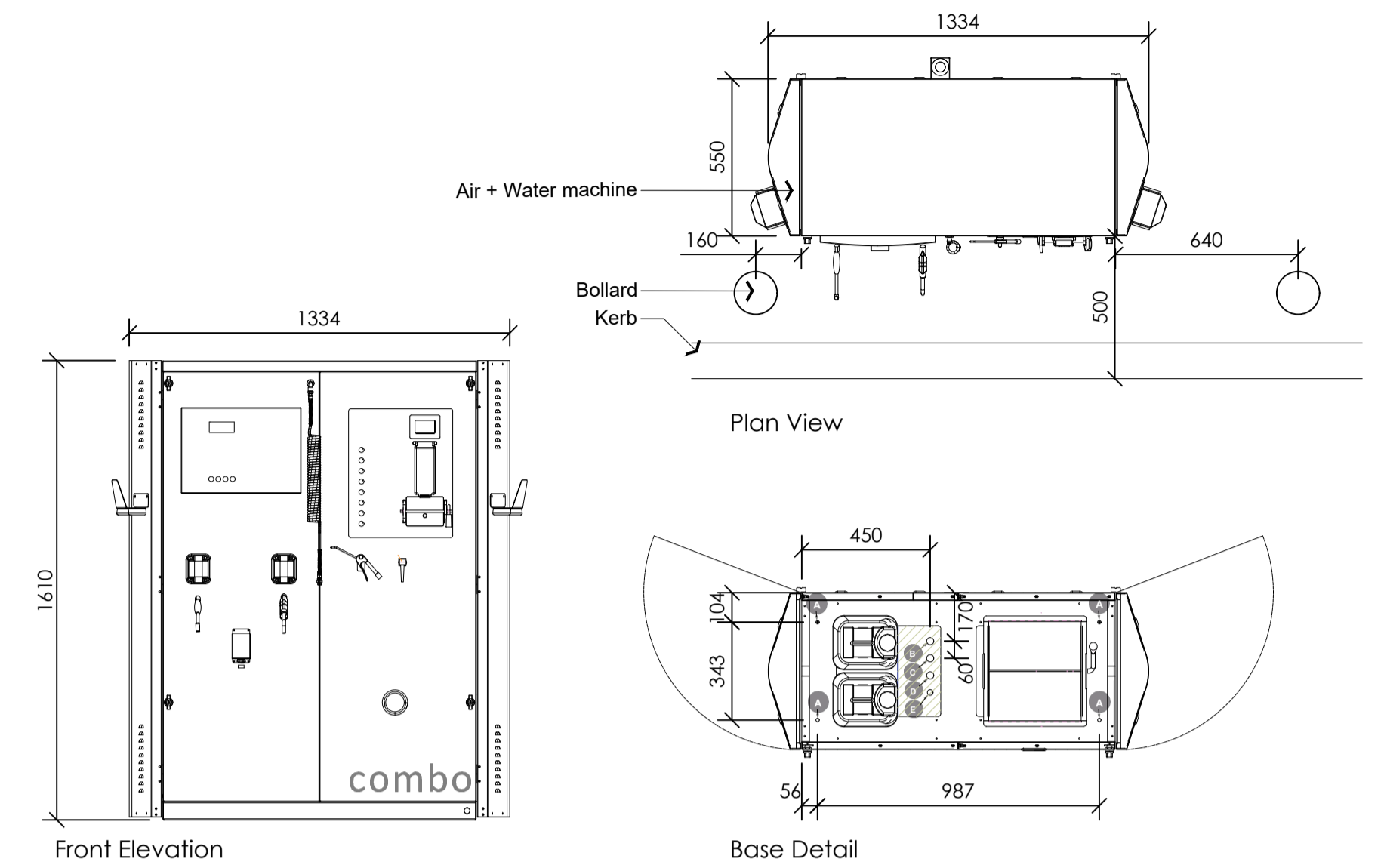


Photo
Representative Example - refer to drawing for accurate interpretation

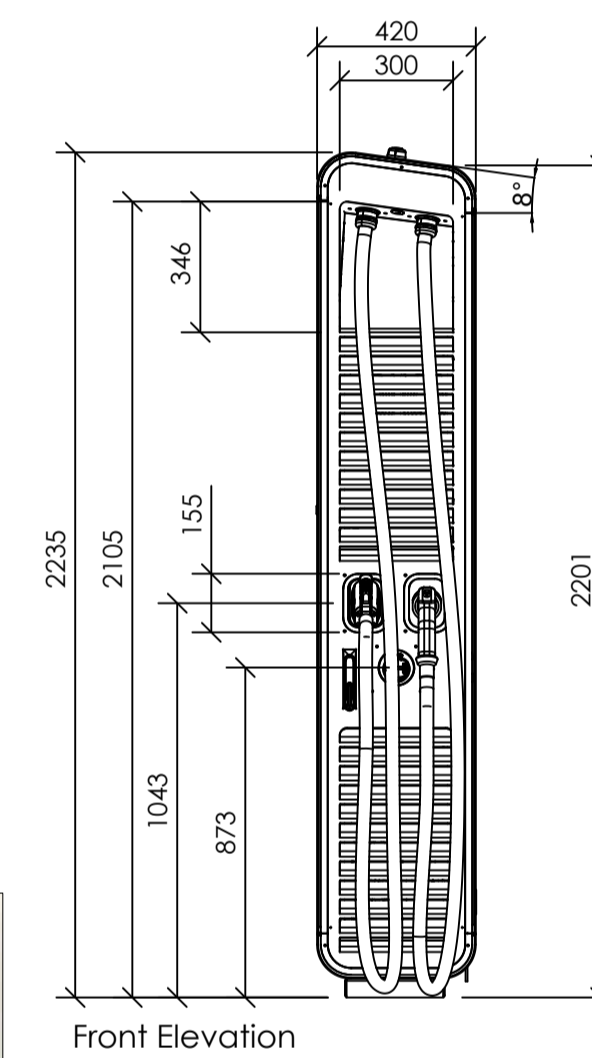


Photo
Representative Example - refer to drawing for accurate interpretation

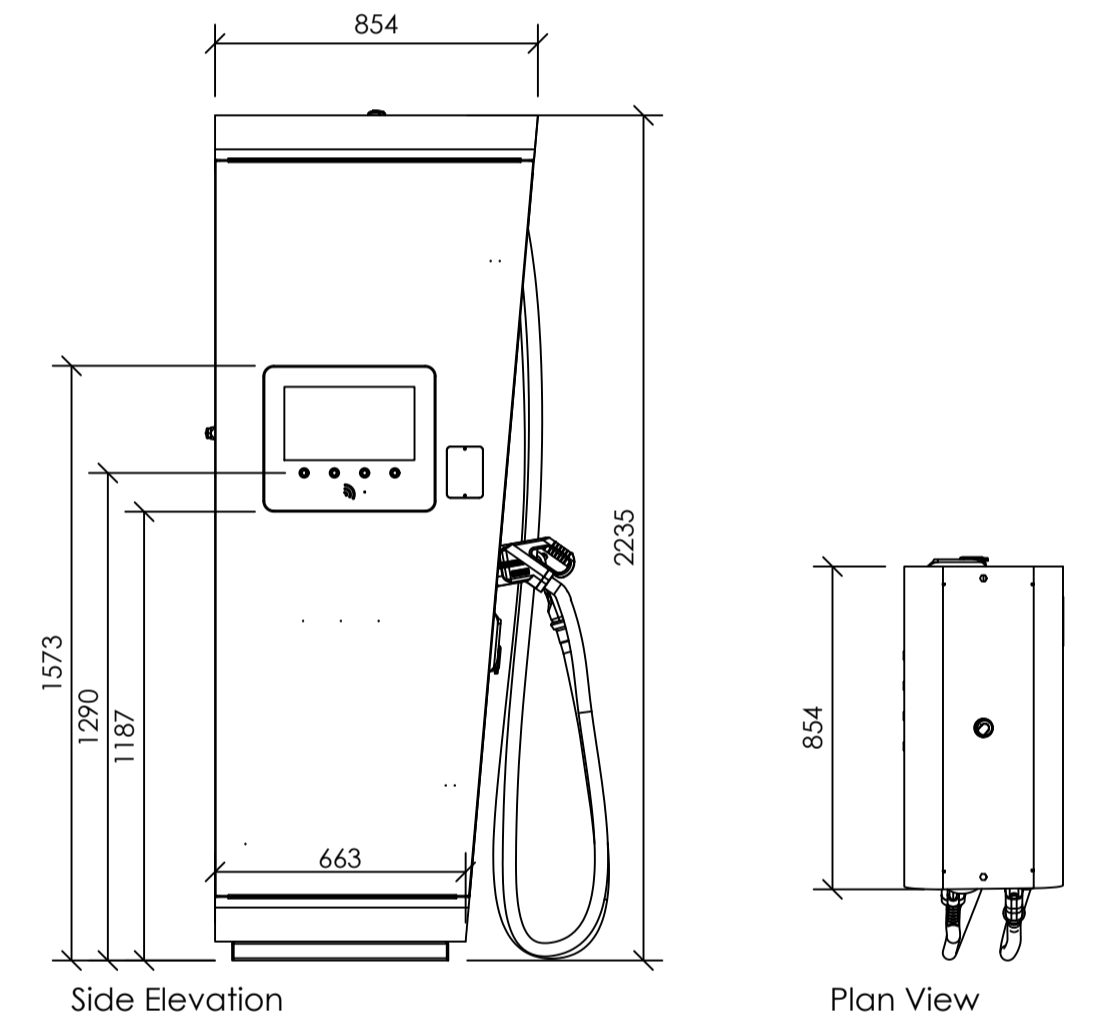
Examples of a similar installation



Air + Water machine
Scale - 1:20



Alpitronic Chargers
Scale - 1:20



rev	date	by	description
A	01/07/22	AF	Representative photo examples added
-	09/02/22	SPS	Drawing created

CLIENT
mfg Gladstone Road
36-38 Upper Marlborough Road
St Albans, AL1 3UU

PROJECT LOCATION
Standard Drawings

DRAWING
Proposed Electric Vehicle Charging Bays
6 Bay Layout

Wyeth Projects Services
The Cart Shed, Amberley Court,
Amberley Lane, Millford, Surrey,
GU8 5EB, United Kingdom
Tel: +44 (0)1483 424704
Email: enquires@wyethprojects.com
© This drawing is the copyright of WYETH PROJECTS SERVICES LTD.

Date: February 2022
Scale: 1:50 / 1:20

Draw By: SPS
Dwg No: WPS-MFG-STD-EV-01-6

A1
original plot size
Rev: A

PLANNING