

Glasstec Hove
Tel No: 01273 463630
Fax No:

Customer Details
Glasstec
Fishermans Wharf
Lower Brighton Rd
Shorham By Sea

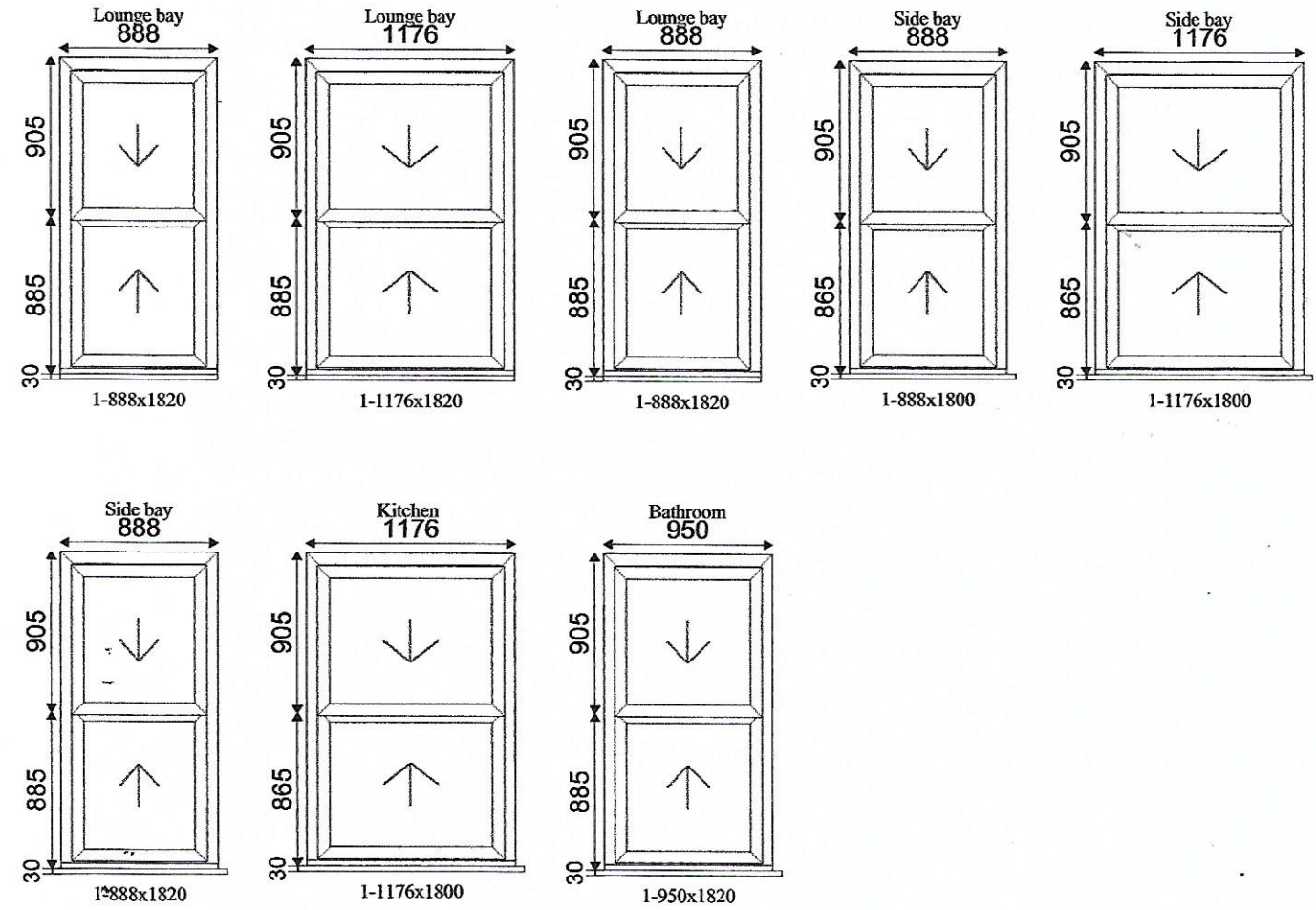
BN43 6RE
Tel: 01273 463630
Fax:

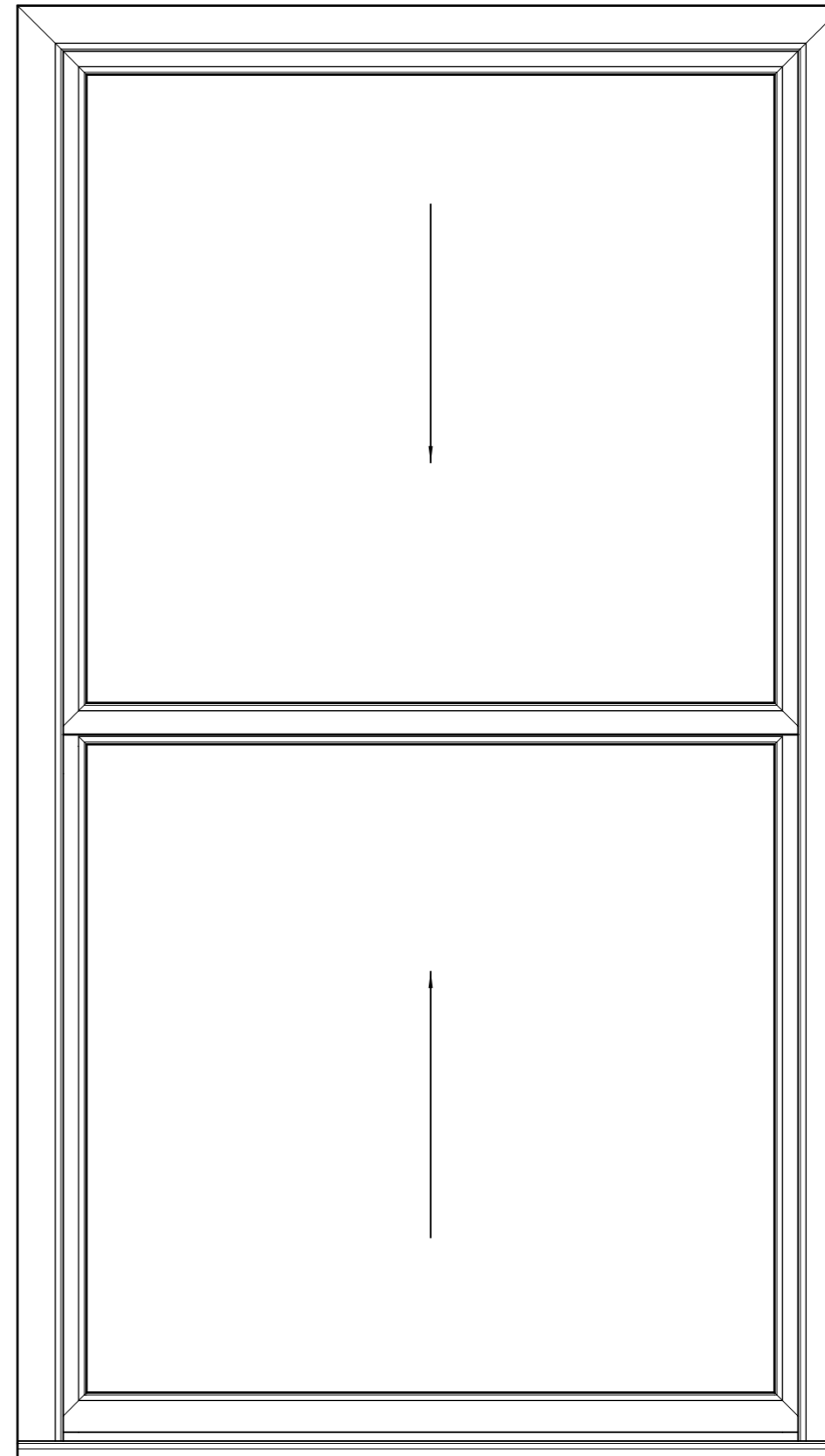
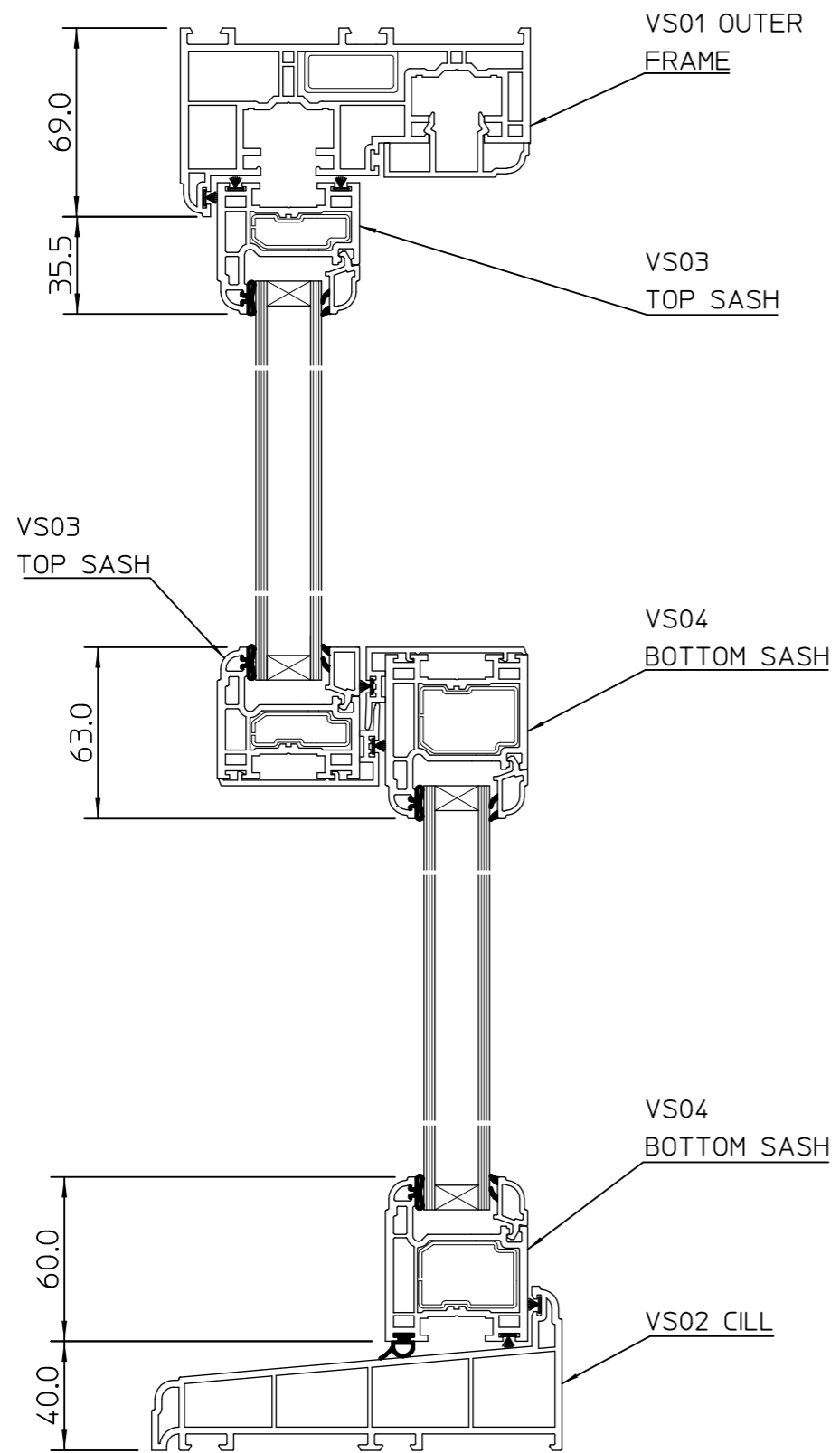
Quote No: 69 Sackville Road
Ref: 69 Sackville Road

Delivery Details

Fishermans Wharf
Lower Brighton Rd
Shorham By Sea

BN43 6RE





Spectus

WINDOW SYSTEMS

Snape Road, Hurdsfield Industrial Estate
 Macclesfield, Cheshire. SK10 2NZ
 Tel: 01625 420400 Fax: 01625 413869

A	ORIGINAL ISSUE				
Title:		VERTICAL SLIDER ELEVATION AND CROSS SECTION			
Drawn By:	Date:	Checked:	Scale:	at A3	Drawing No:
G.G.	13/4/2011		1:10		SK2591
					Issue:
					A

Thermal Performance Data



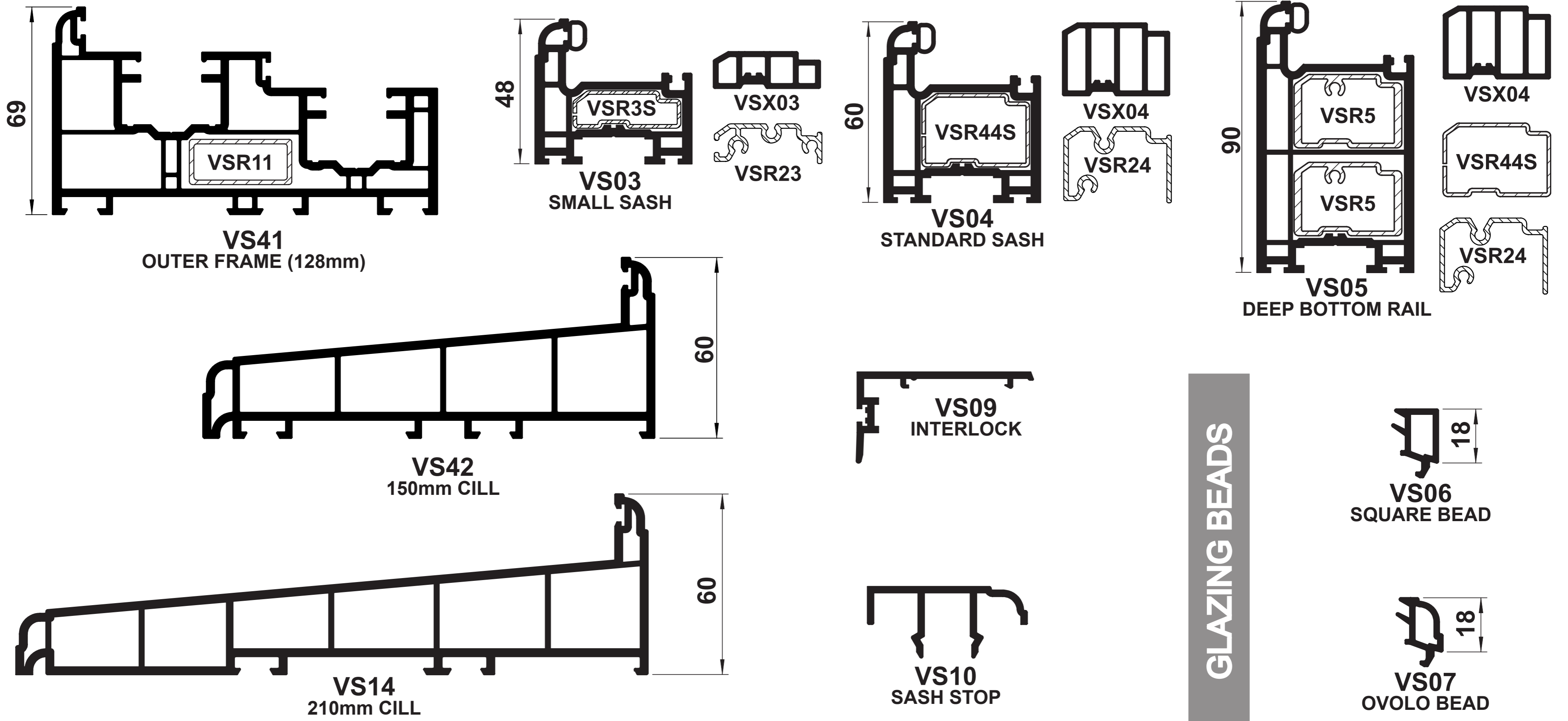
Date	17/02/2022	Customer Details	
Customer Ref:	Warwick		
System	Spectus		
Suite	VS	Outerframe Reinf Head	VSR11
Style	VERTICAL SLIDER	Outerframe Reinf Jambs	VSR11
Outerframe	VS01	Sash Reinf Head Top Sash	VSR3S
Sash	VS03	Sash Reinf Jamb Top Sash	VSR3S
Sash Bottom Rail	VS04	Sash Reinf Interlock Top Sash	VSR3S
Unit Type	Double Glazing	Sash Reinf Interlock Bottom Sash	VSR44S
Unit Width	24 mm	Sash Reinf Jamb Bottom Sash	VSR44S
Pane 1 Dim. Product Name	4 mm	Sash Reinf Cill Bottom Sash	VSR44S
Pane 2 Dim. Product Name	4 mm Planitherm Total +	Normal Emmissivity Surface 2	0.837 *
Pane 3 Dim. Product Name	n/a mm	Normal Emmissivity Surface 3	0.013 *
Gas Space 1	16 mm	Normal Emmissivity Surface 4	n/a *
Gas Space 2	n/a mm	Normal Emmissivity Surface 5	n/a *
Gas Type Space 1	Argon (90%)	* Corrected	
Gas Type Space 2	n/a	Uw (window thermal transmittance)	1.42 W/m².K
Spacer	Thermobar	Centre Pane U-Value	1.05 W/m².K
Georgian Bar	None	Glazed Fraction, 1-f	0.68

- The calculation method has been approved by BSI (Notified Body No. 0086, Thermal Transmittance Report No. 7985266) therefore this report is suitable for CE Marking declaration of thermal transmittance.
- This result is based upon window construction being undertaken using only Epwin Window Systems Division products.
- This calculation sheet does not in itself prove compliance with any building regulations or specification but can be used in conjunction with other relevant data to prove compliance.

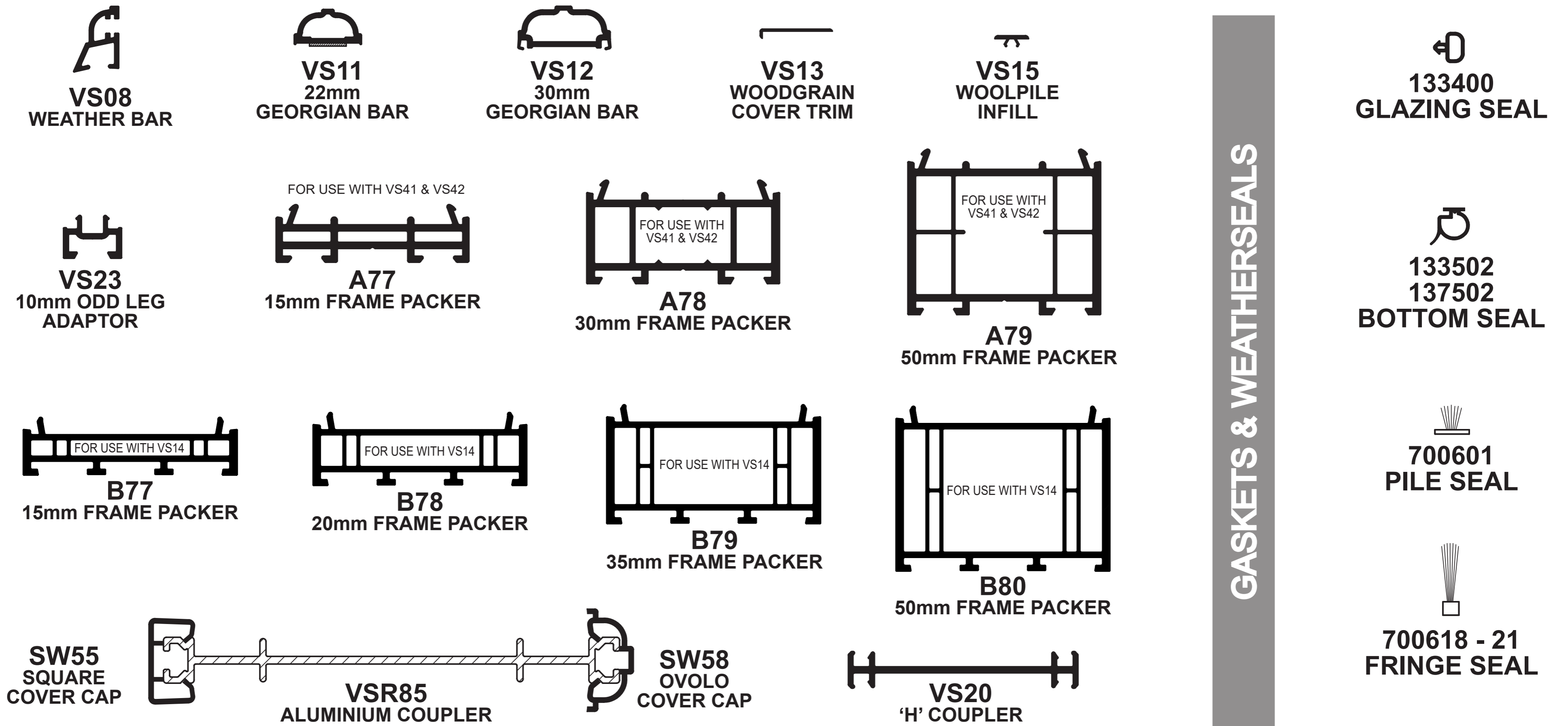


Vertical Slider

MAIN PROFILES & REINFORCEMENTS



ANCILLARY PROFILES



ANCILLARY COMPONENTS

