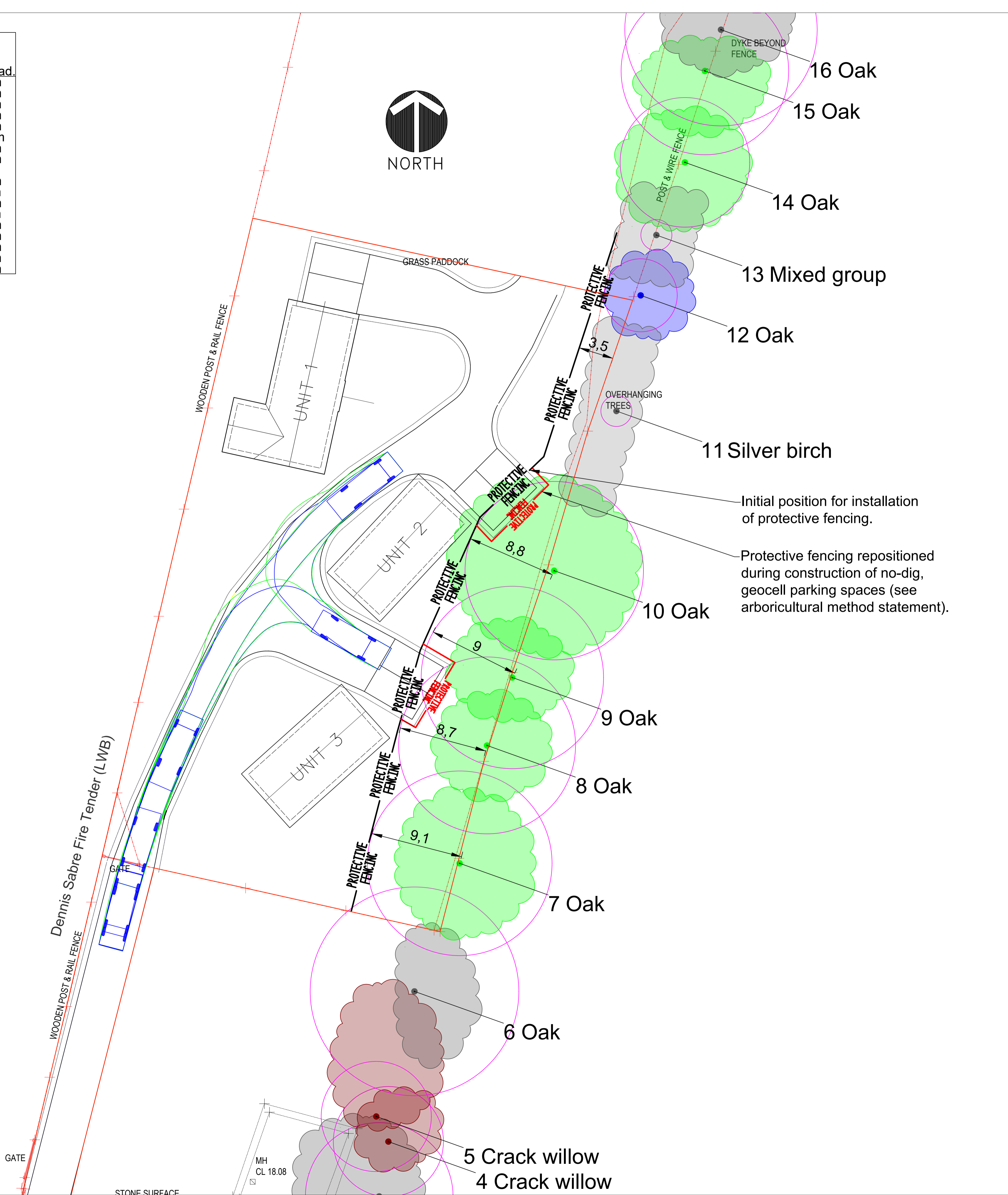
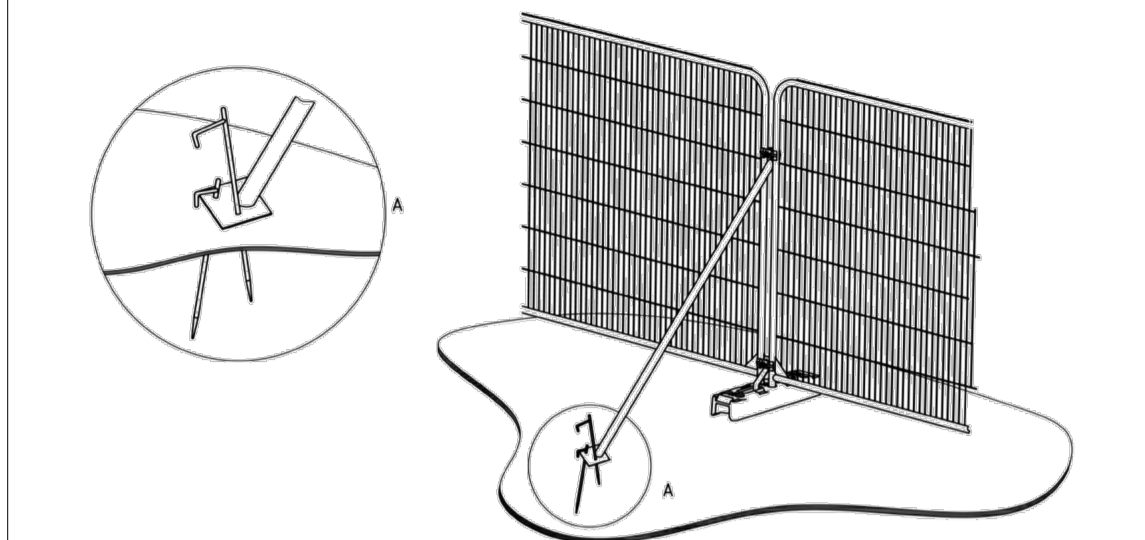


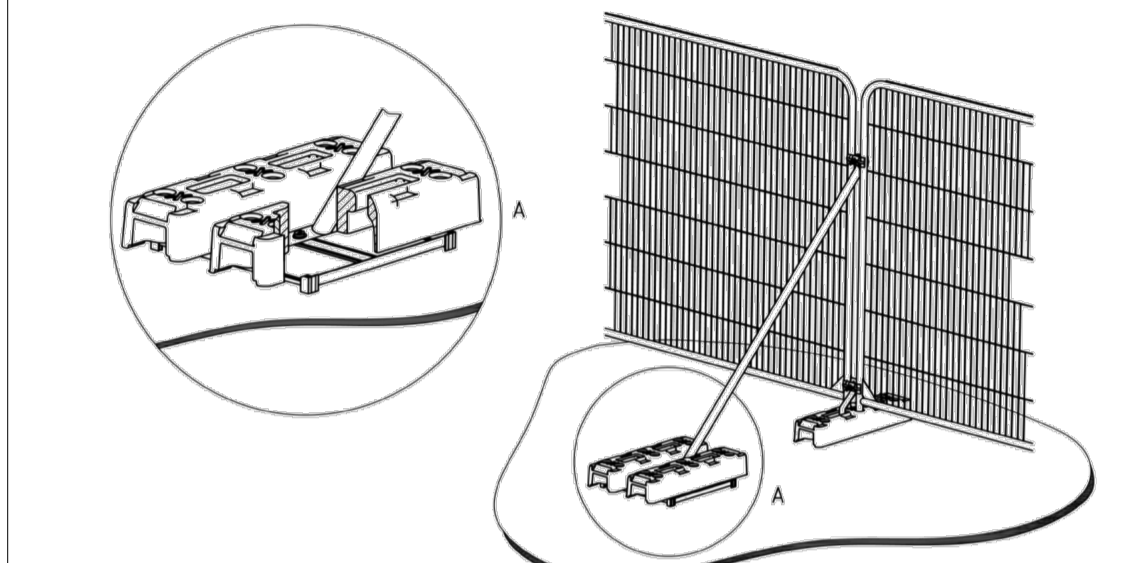
| Ref | Common Name | Physiol. | Struct. | Category | RPA Rad |
|-----|--------------|----------|------------|----------|---------|
| 1 | Crack willow | Good | Poor | C2 | 5.8m |
| 2 | Crack willow | Good | Poor | C2 | 3.3m |
| 3 | Crack willow | Good | Poor | C2 | 7.3m |
| 4 | Crack willow | Fair | Collapsing | U | 5.4m |
| 5 | Crack willow | Fair | Collapsing | U | 5.4m |
| 6 | Oak | Fair | Poor | C2 | 10.3m |
| 7 | Oak | Good | Good | A2 | 9.1m |
| 8 | Oak | Good | Good | A2 | 8.7m |
| 9 | Oak | Good | Good | A2 | 9m |
| 10 | Oak | Good | Good | A2 | 8.8m |
| 11 | Silver birch | Good | Fair | C2 | 1.5m |
| 12 | Oak | Good | Fair | B2 | 3.6m |
| 13 | Mixed group | | | C2 | 1.5m |
| 14 | Oak | Good | Good | A2 | 6.4m |
| 15 | Oak | Good | Good | A2 | 8.3m |
| 16 | Oak | Fair | Fair | C2 | 9.5m |
| 17 | Oak | Good | Good | B2 | 7.6m |
| 18 | Oak | Good | Good | B2 | 7.3m |



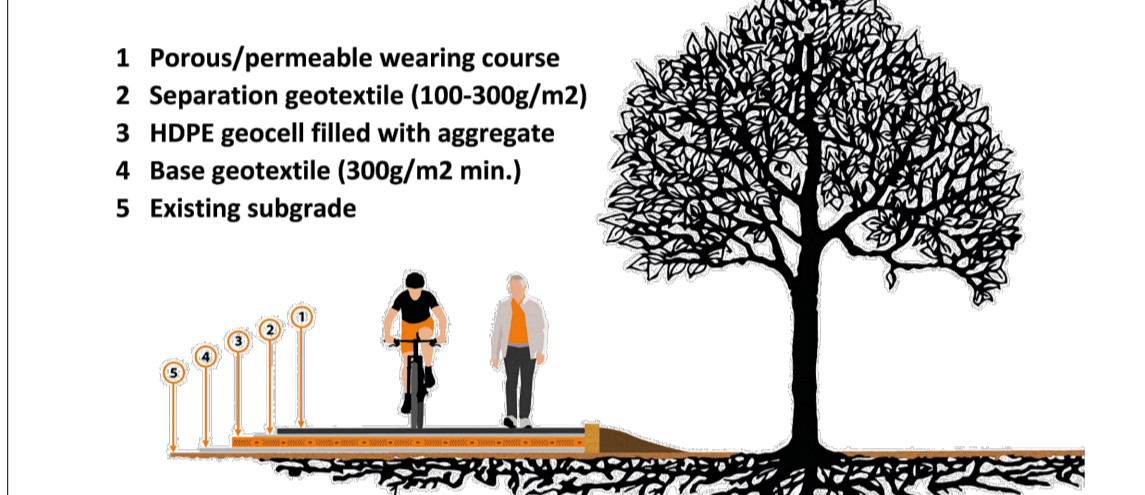
Examples of Tree Protection Barriers from BS5837 2012



a) Stabilizer strut with base plate secured with ground pins.



b) Stabilizer strut mounted on block tray.



Geocell 'no-dig' construction for access drives and parking near trees to minimise root damage. There are several proprietary systems based on 3-dimensional cellular confinement systems that allow pedestrian and vehicular surfaces to be laid within the RPA. Further details can be obtained from companies including Geosynthetics Cellweb and Terram Geocell.

- Protective Measures**
- Barriers will have all-weather notices attached with words such as: "CONSTRUCTION EXCLUSION ZONE - NO ACCESS".
 - The construction exclusion zones will be protected by barriers before any materials or machinery are brought onto the site. The barriers will remain in place until completion of all works.
 - Due to the highly alkaline leachate produced during the curing of wet concrete, concrete will not be poured within the RPA unless an impermeable liner has been installed.
 - To avoid contamination and compaction no materials will be stored within 10 metres of a tree trunk or on any unprotected soil surfaces. This includes building materials, scaffolding, fuel, site huts and temporary toilets.
 - Notice boards will not be attached to any part of a tree and no fires will be allowed within 10 metres of the canopy or the protective barrier of any retained tree.
 - The main contractor will be responsible for:
 - Monitoring of all operations with regard to tree protection on site.
 - The compliance of sub-contractors.
 - Ensuring that the planning conditions attached to the planning consent are adhered to at all times.

- Site Guidance Notes**
- | | |
|---|--|
| 1: Monitoring protection https://www.barrelltreecare.co.uk/resources/technical-guidance/sgn01/ | 7: Excavation in root protection areas https://www.barrelltreecare.co.uk/resources/technical-guidance/sgn07/ |
| 2: Fencing protected trees https://www.barrelltreecare.co.uk/resources/technical-guidance/sgn02/ | 8: Removing surfacing and structures in root protection areas https://www.barrelltreecare.co.uk/resources/technical-guidance/sgn08/ |
| 3: Ground protection https://www.barrelltreecare.co.uk/resources/technical-guidance/sgn03/ | 9: Installing/upgrading surfacing in root protection areas https://www.barrelltreecare.co.uk/resources/technical-guidance/sgn09/ |
| 4: Pollution control https://www.barrelltreecare.co.uk/resources/technical-guidance/sgn04/ | 10: Installing structures in root protection areas https://www.barrelltreecare.co.uk/resources/technical-guidance/sgn10/ |
| 5: Site cranes and piling rigs https://www.barrelltreecare.co.uk/resources/technical-guidance/sgn05/ | 11: Installing services in root protection areas https://www.barrelltreecare.co.uk/resources/technical-guidance/sgn11/ |
| 6: Height restrictions https://www.barrelltreecare.co.uk/resources/technical-guidance/sgn06/ | 12: Landscaping in root protection areas https://www.barrelltreecare.co.uk/resources/technical-guidance/sgn12/ |

AT2 TREE SURVEY.CO.UK

Woodlands Livery Coddington

Tree Protection Plan: Rev B

18-Jul-22 Scale 1:200 at A1

Woodlands Livery, Coddington tree plan RevB.dwg

