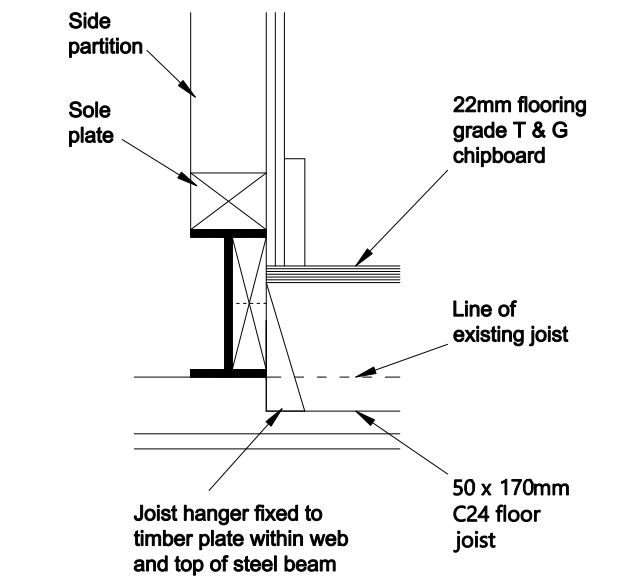
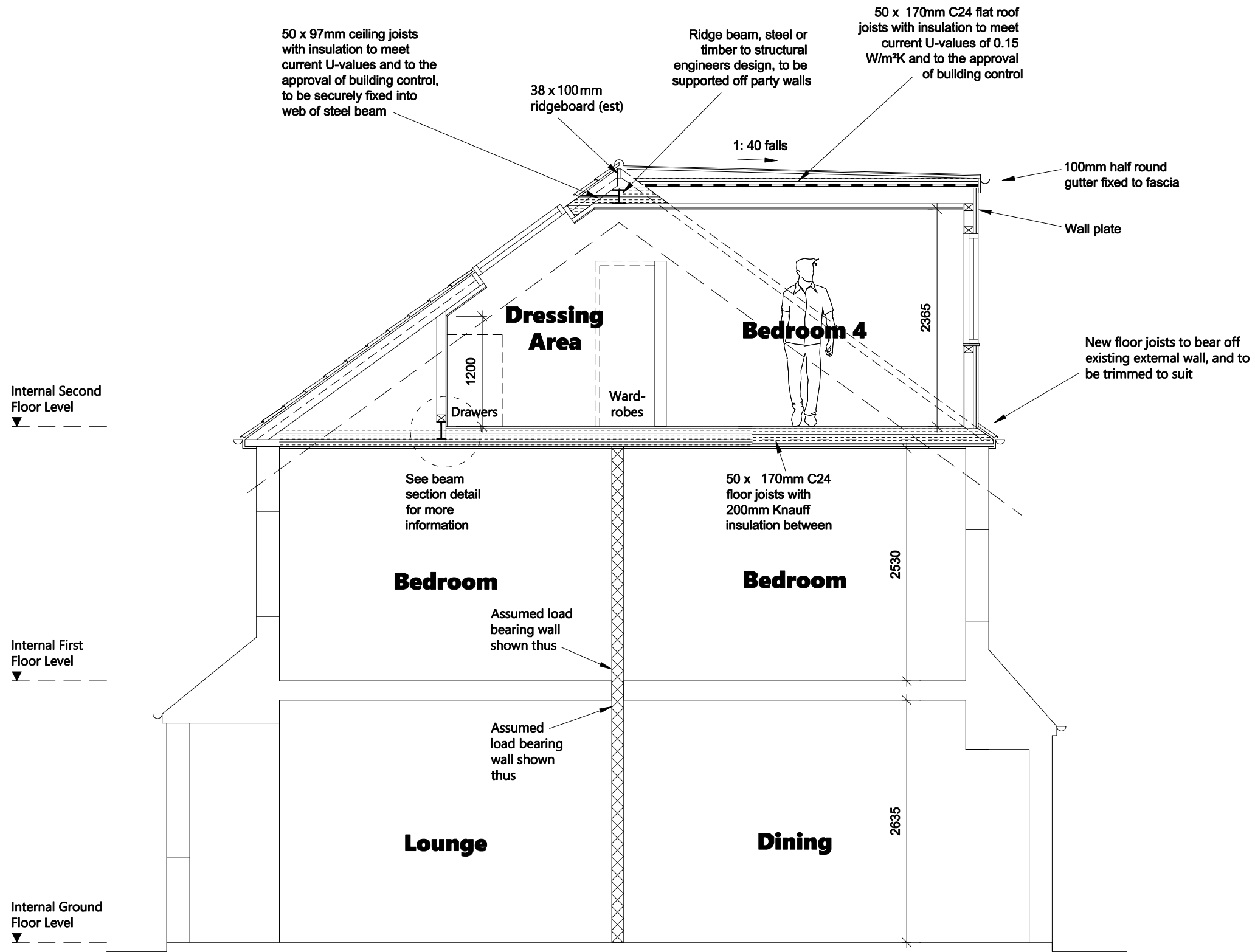


NOTES - Responsibility is not accepted for errors made by others in scaling from this drawing. All construction information should be taken from figured dimensions only. All dimensions are in millimeters. For construction details refer to building regulation notes and structural engineers design where applicable



**Beam Section Detail (1:10)**

<b>Clifton Design (Bristol)</b> 25 Lower Redland Road Redland Bristol BS6 6TB 0117 973 6000	Rev	Description of Changes	Drawn	Date	Client	Postcode	Drawing Title				
	-	-	-	-	<b>Mr B Lynam</b>	<b>BS7 0BZ</b>	<b>Sect C-C and Beam Detail</b>				
	Scale	1:50    0    1m    2m    3m    4m    5m			Address	Date	Drawing No				
					<b>24 Highbury Road, Horfield</b>	<b>Apr.2022</b>	Drawn	<b>dM</b>	Option	<b>1b</b>	Rev