

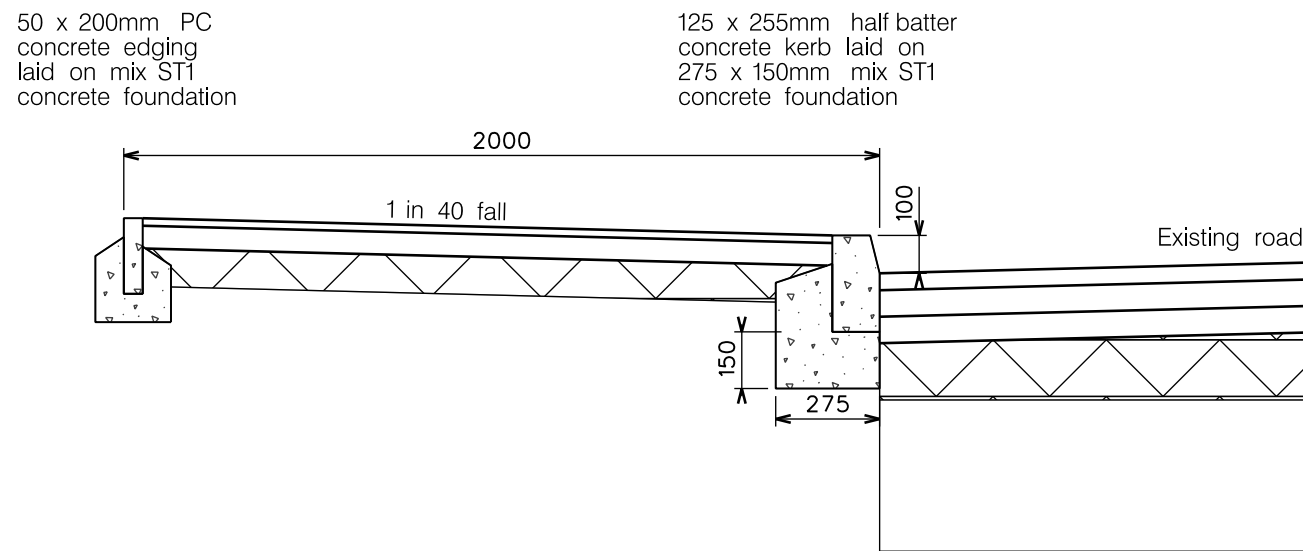
Section through access road

Residential Access Road (Category 1)

Surface Course to Specification Clause 5.10
 Block Paving (to be approved by the Engineer).
 80mm nominal thickness, to BS EN 1338.
 Laid in accordance with BS 7533: Part 3.
 On a bed of sand (category ii).

Base (roadbase) – Specification Clause 5.6
 70mm Dense Bitument Macadam base
 20mm nominal size aggregate

Sub-Base – Specification Clause 5.4
 Min 150mm granular sub-base Type 1 material, or LCC approved,
 over 400mm of 6F2 capping



Section through 2m footpath

Footpath construction

Surface Course – To Specification Clause 6.8.
 20mm dense Bitument Macadam Surface Course
 6mm nominal size aggregate.

Binder Course – To Specification Clause 5.8
 60mm Dense Bitument Macadam base course
 20mm nominal aggregate

Sub-Base – To Specification Clause 5.4.
 Min 100mm granular sub-base Type 1 material