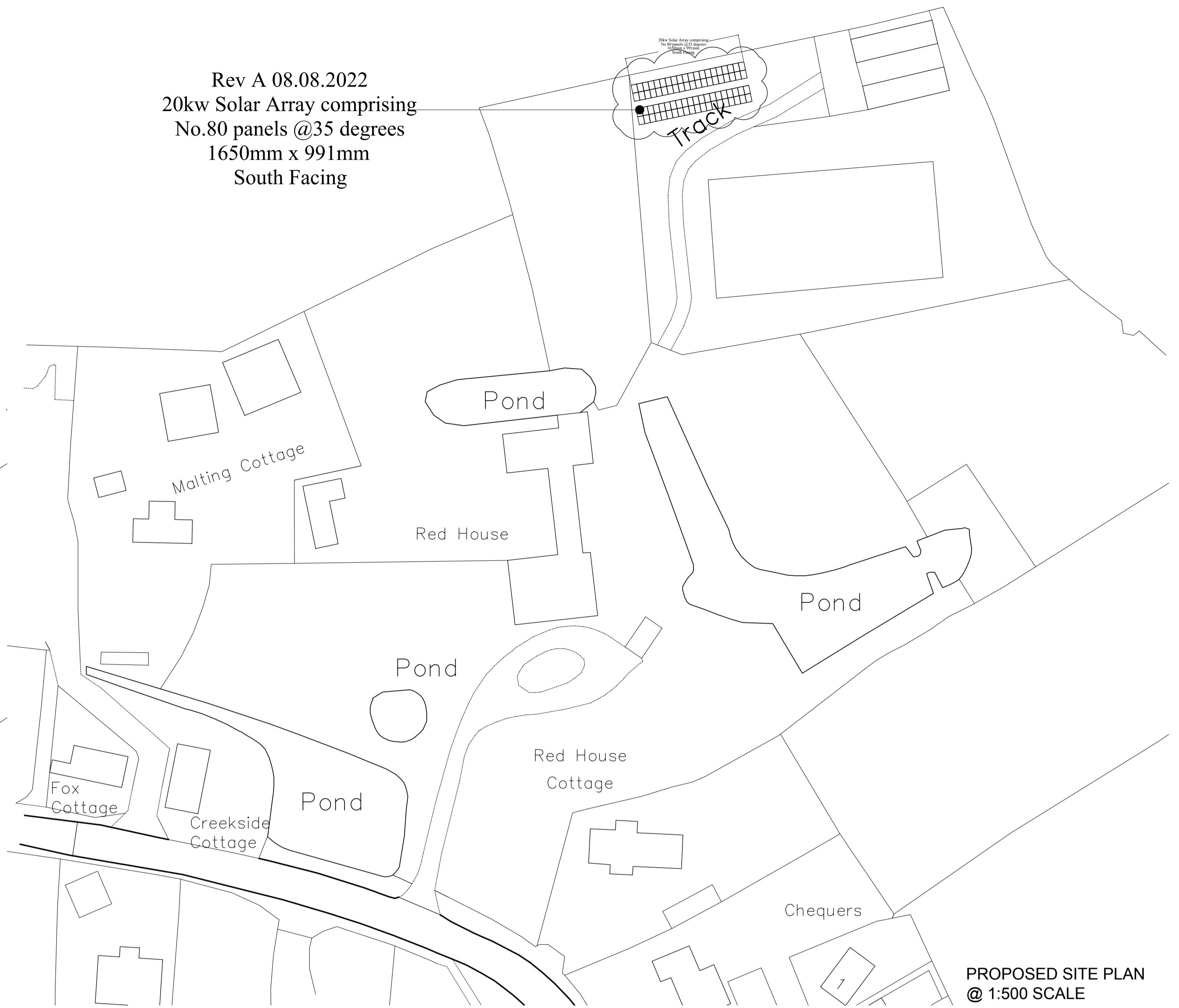


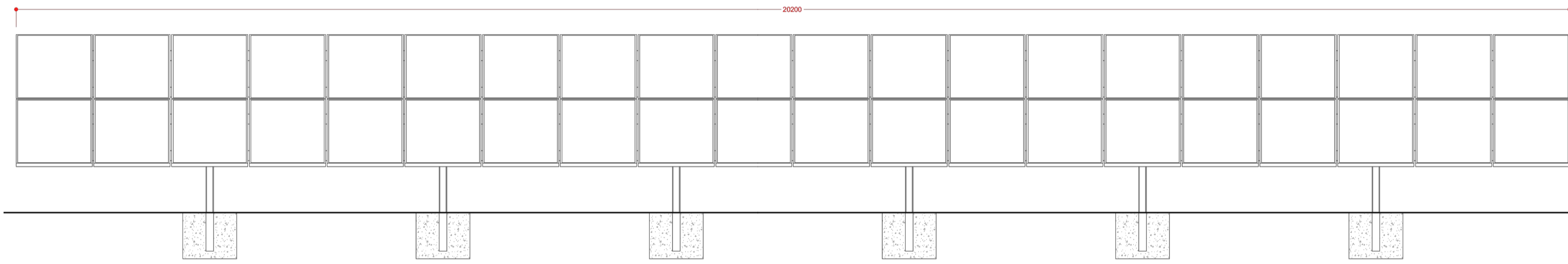
Rev A 08.08.2022
 20kw Solar Array comprising
 No.80 panels @35 degrees
 1650mm x 991mm
 South Facing



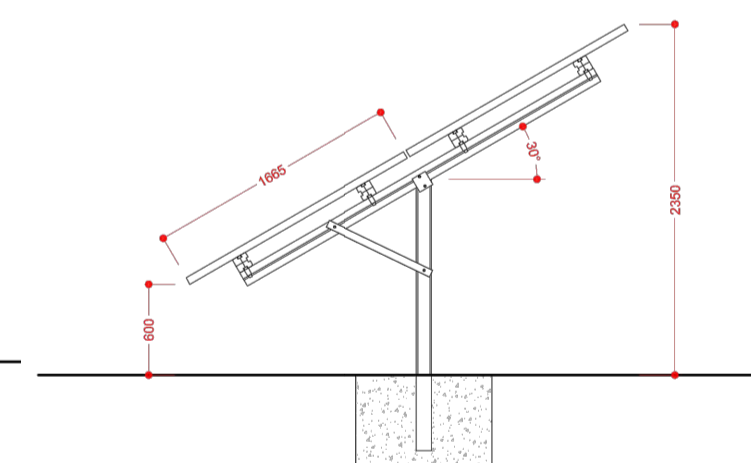
EXISTING SITE PLAN
 @ 1:500 SCALE



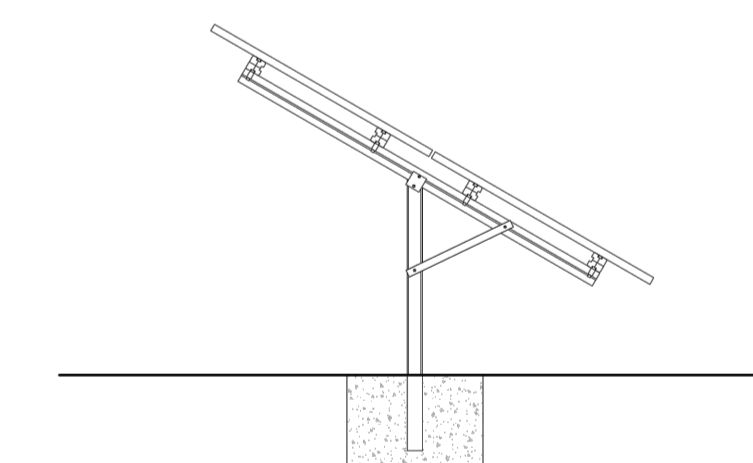
PROPOSED SITE PLAN
 @ 1:500 SCALE



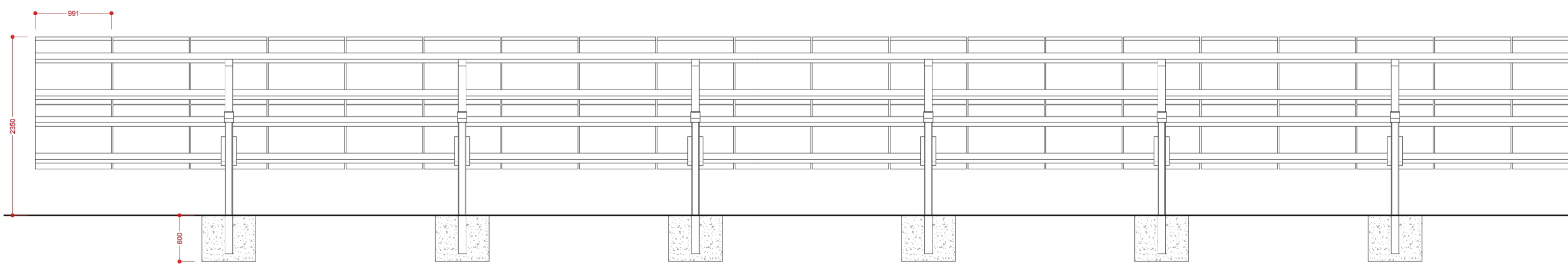
PROPOSED FRONT ELEVATION
 1:50



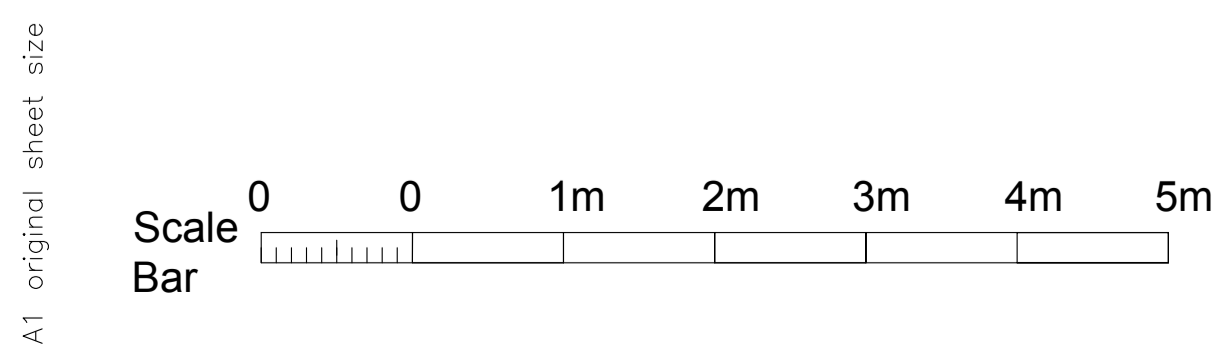
PROPOSED SIDE ELEVATION
 1:50



PROPOSED SIDE ELEVATION
 1:50



PROPOSED REAR ELEVATION
 1:50



Rev.	Date	Amendment
A	08.08.22	Amendment to show dimensions & number of panels

CLIENT Mr & Mrs Sheard	PROJECT NO. 2020/038	DRAWING No. 2020-008	PROJECT THE RED HOUSE, WORLINGWORTH, SUFFOLK	DESCRIPTION Proposed 20kw Solar Array	SCALE 1:50 + 1:500 @ A1	DATE 10.12.2021	DRAWN BY WLP	ROB PEARCE ARCHITECTS Rob Pearce Architects The Old Post Office East Street Suffolk IP13 7JF Tel: 01728 665887 Email: rob.pearce@framroadband.com Website: www.robpearcearchitect.com
---------------------------	-------------------------	-------------------------	--	--	----------------------------	--------------------	-----------------	--