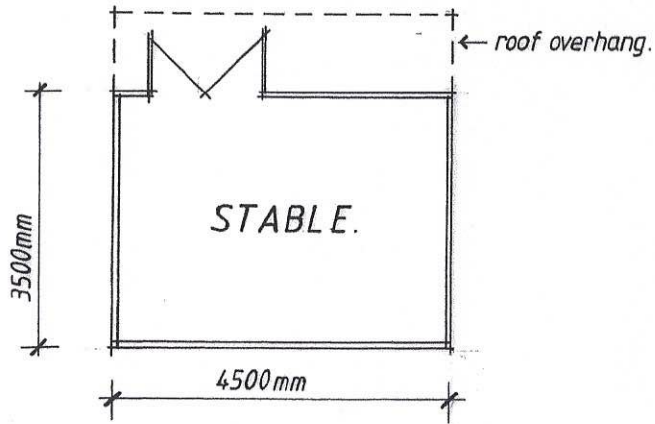
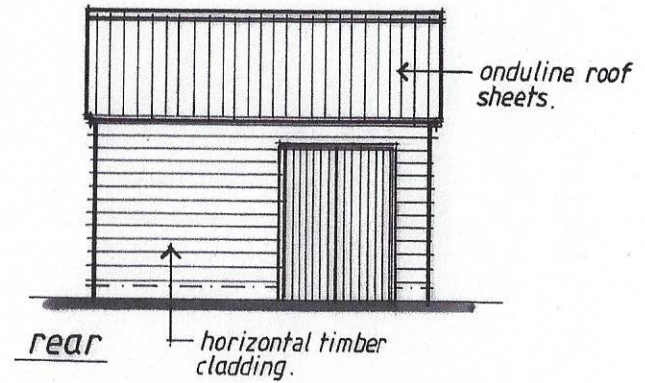
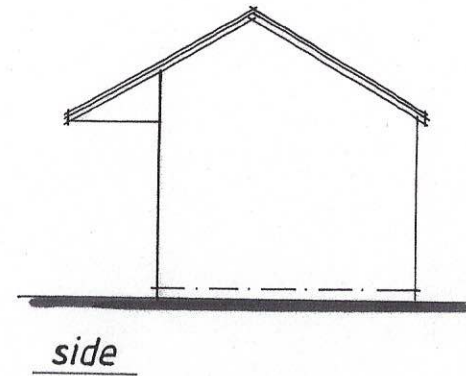
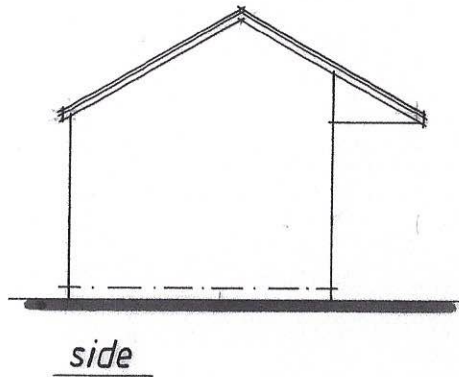
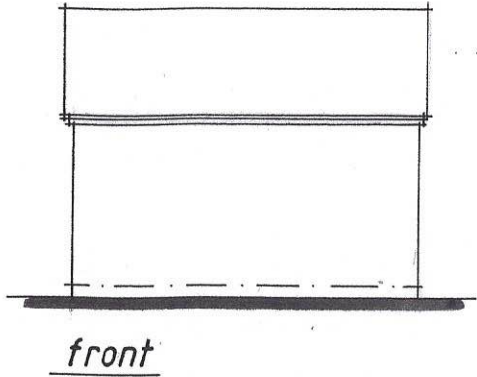


elevations.



floor plan.

**Erection of Detached Tack Room Store  
(Part Retrospective) & Stable Block  
Field View, Alby Hill, Alby, Norwich**

**PROPOSED STABLE BLOCK FLOOR  
PLAN & ELEVATIONS**

scale 1:100 @ A4

**DRAWING No.4**