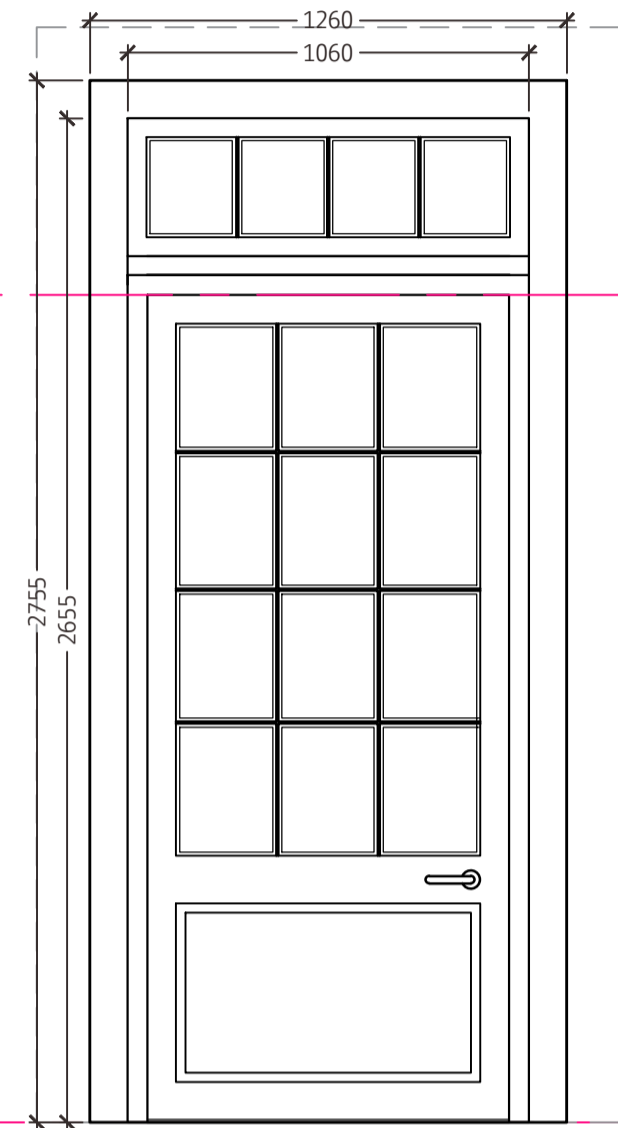
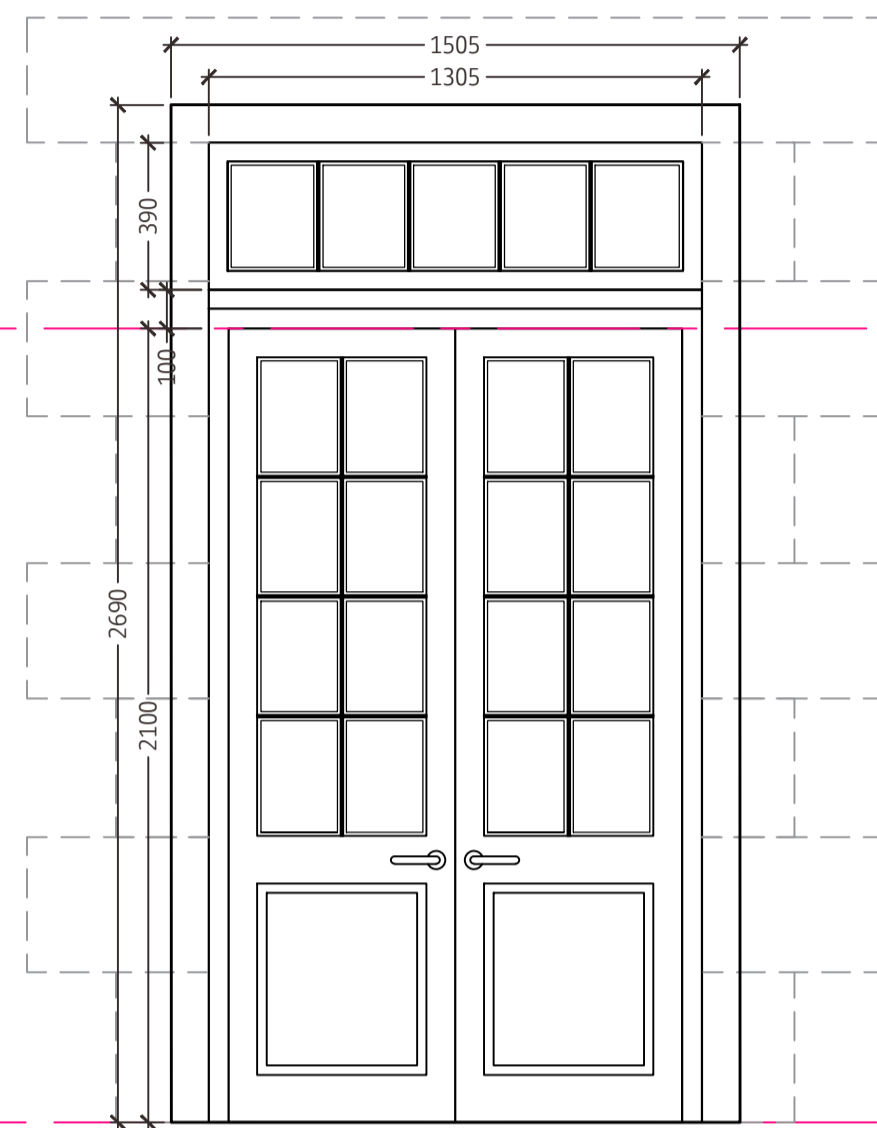


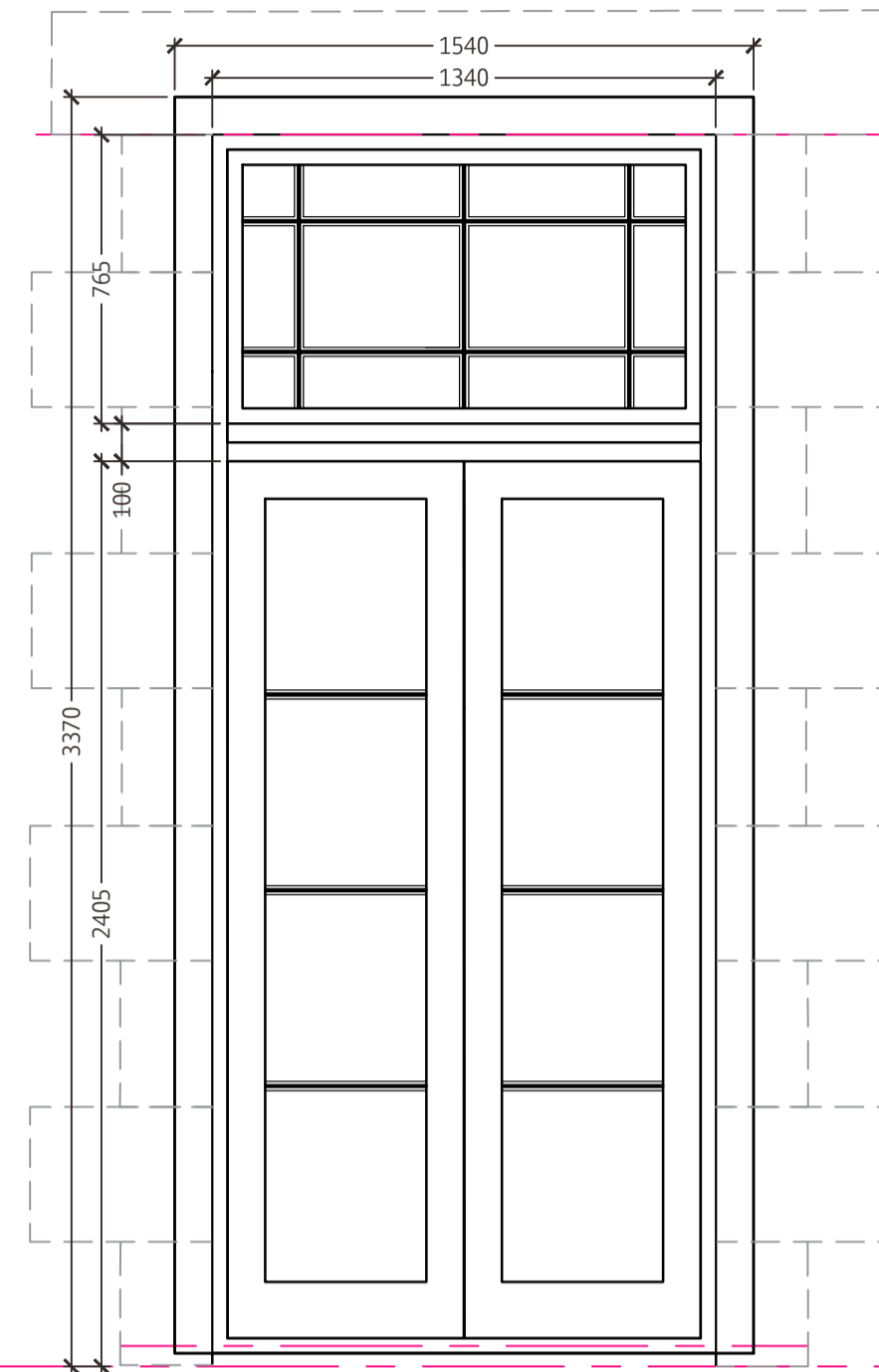
Notes:
0. General



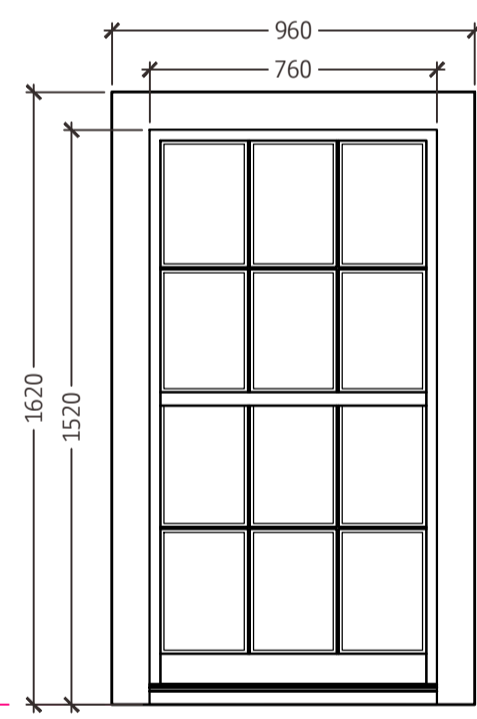
XD-07



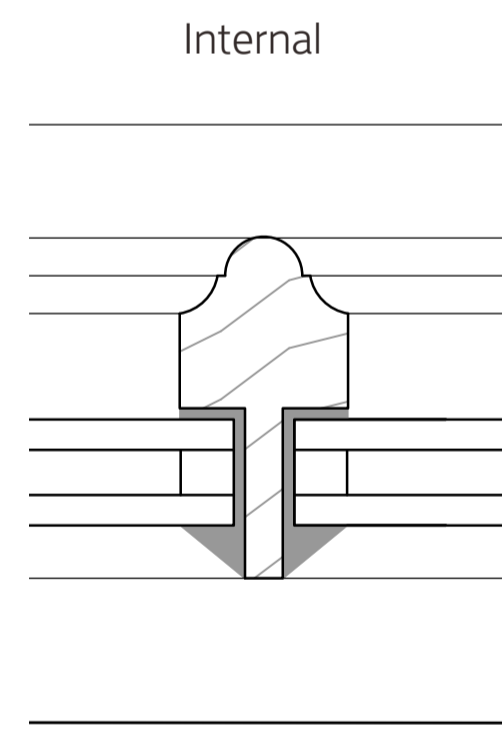
XD-08



XD-09



TYPE E WG-20
WG-21



2. Indicative astragal profile (1:1)

1. Window Schedule (1:20)

CDM Regulations 2015:
The designs on this drawing and all drawings relating to it have been prepared with due consideration of the need to identify hazards and give regard to their elimination or minimization. Remaining hazards are noted on this drawing where applicable.

Rev	Date	Revision	By

Client:
Guy Goodfellow

Project:
Biggar Park House
Biggar, South Lanarkshire
ML12 6JS

Title:
Window & Door Types
Proposed Alterations

Issue Status: PLANNING	Scale: 1:20	Original Size: A1
---------------------------	----------------	----------------------

Date: August 2022	Drawn by: HB	Checked by: DJ
----------------------	-----------------	-------------------

Project No: E3619	Stage: 4 - Technical Design	Drawing No: SD(31) 003	Rev:
-----------------------------	--------------------------------	----------------------------------	----------

20 Torphichen Street, Edinburgh, Scotland, EH3 8JB
Phone +44 (0)131 225 4235 Fax +44 (0)131 220 0499
enquiries@weareglm.com
www.weareglm.com
©GLM

