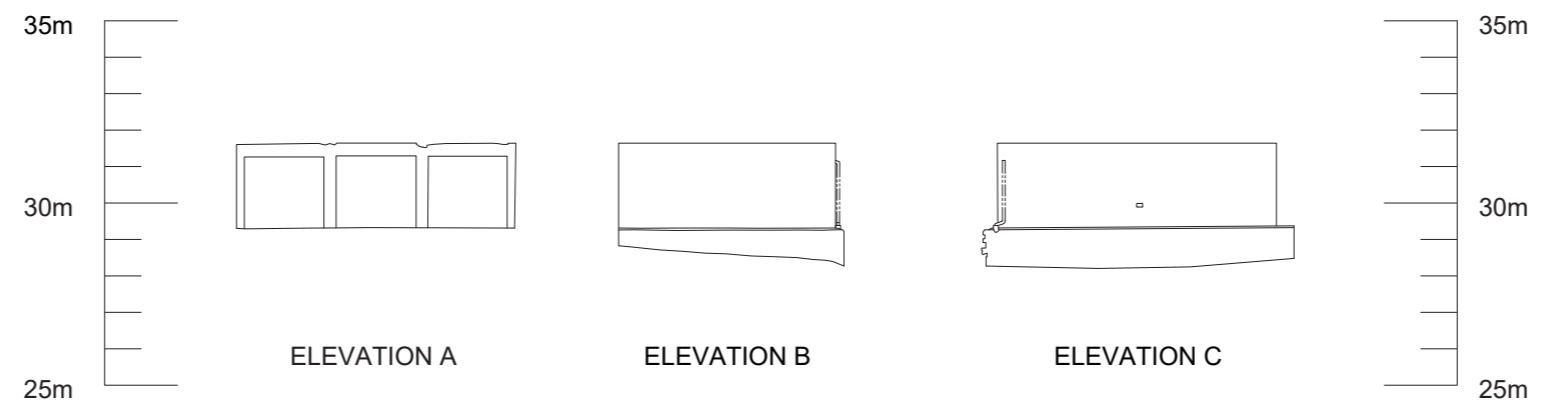


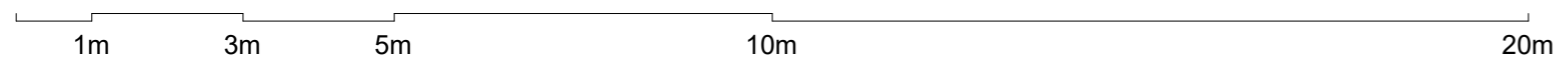
Do not scale from drawing. Use figured dimensions only. All dimensions to be checked on site by the contractor and any discrepancies to be notified to the architect prior to works being carried out.



Revisions:

PLANNING

Title: Existing Elevations
Project: Melville Terrace
Client: Eric Catterson
Drawing No: MTR-SJM-0-zz-DR-A-0101
Revision:
Scale: 1 : 100@ A3
Date: AUGUST 2022



Studio SJM Architects Ltd
Wraysbury, Watt Road, Bridge of Weir, PA11 3DN
T: 07715 374
www.studiosjm.co.uk