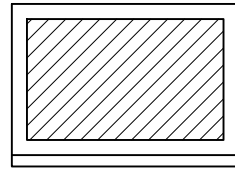
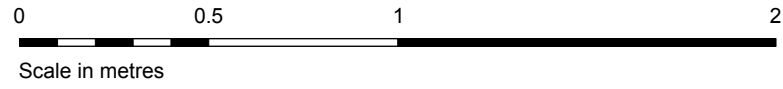
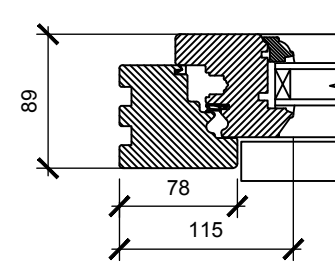


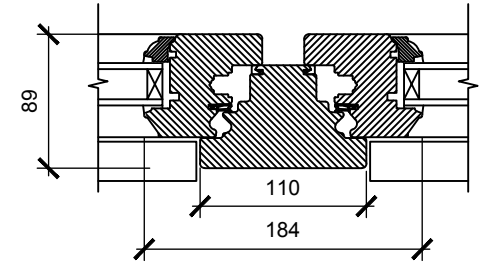
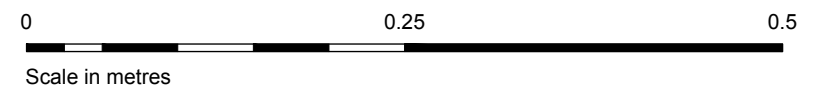
01-Existing Window 1 1:20
Elevation



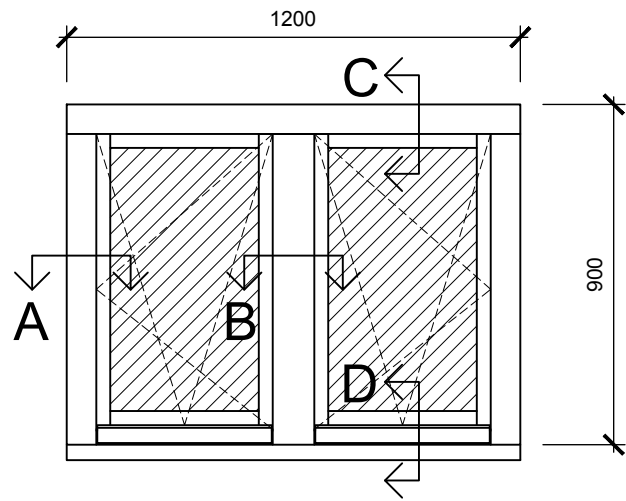
02-Existing Window 2 1:20
Elevation



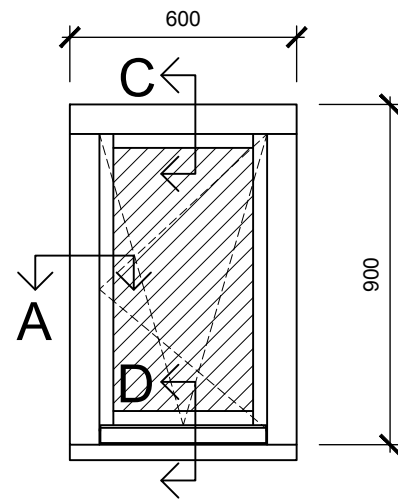
05-Window Detail A 1:5
Window Jamb



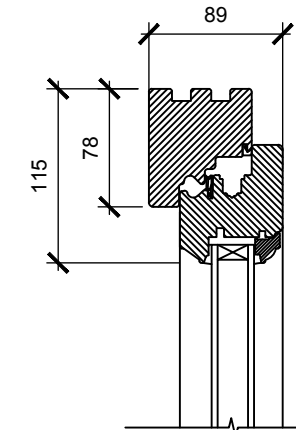
06-Window Detail B 1:5
Mullion



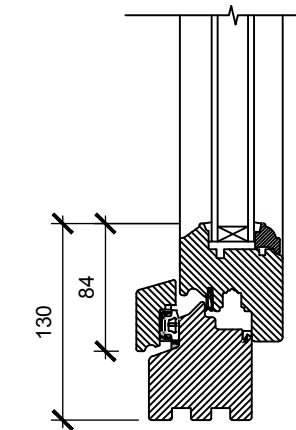
03-Proposed Window 1 1:20
Elevation



04-Proposed Window 2 1:20
Elevation



07-Window Detail C 1:5
Window Head



08-Window Detail D 1:5
Window Base

Specification Notes:

- Both replacement windows to be inward opening timber framed windows.
- To be painted to match windows on the main house
- Double glazed units

Project: New windows to barn at The Forge, Pyecombe
Drawing Number: NK22010-002
Drawing Title: Elevation and Window Profile Drawings
Scale: 1:20, 1:5@ A3
Date Issued: 6.7.22

All dimensions in mm