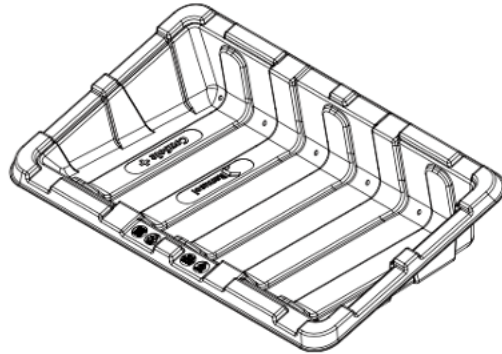


Tyelands Elevations

The diagram below shows the mounting system for the panels which show an elevation of 390mm. The height of the panels will be less than the grass surrounding the panels.

System Datasheet CS+



General

System	Freestanding ballasted PV mounting system
Scope of delivery	CS+ tub, mounting profiles and fixing material
System warranty	10 years
Application area	Flat roofs, landfills, open spaces, green areas (excluding hydrogen sulphide exposure)
Dimensions	Width: 1.730mm, depth: 1.100 mm, height: 390mm

There are two rows of panel separated by a 1m gap. A sketch of the side elevation is shown below (Scale 1:200) followed by rear elevation (1:500). Note there are two identical groups of panels as shown on the Site Plan and the rear elevation is a single group.

