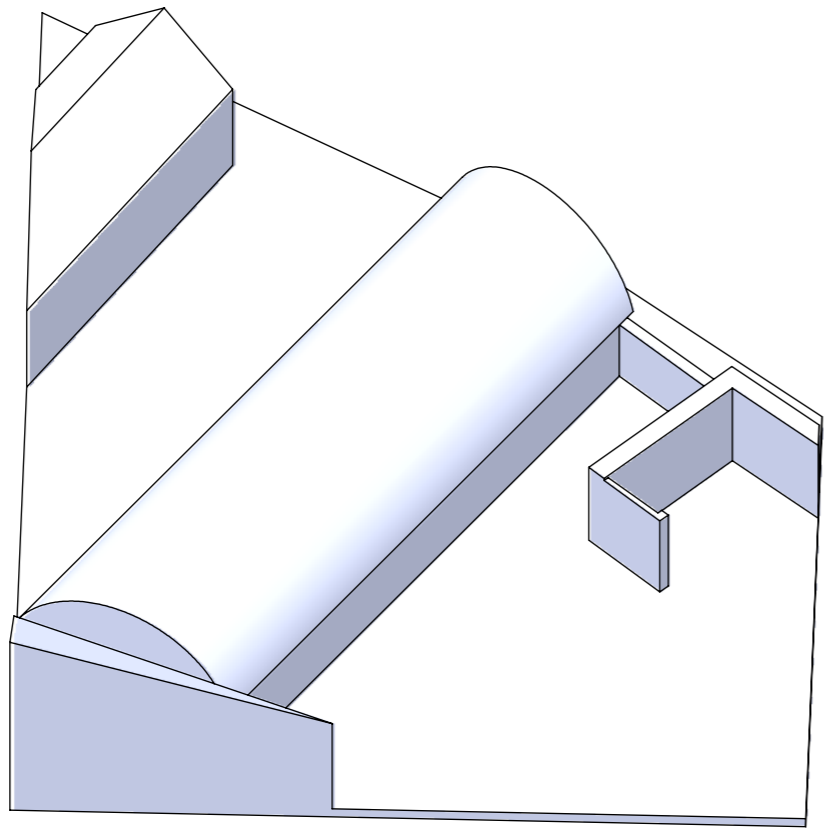


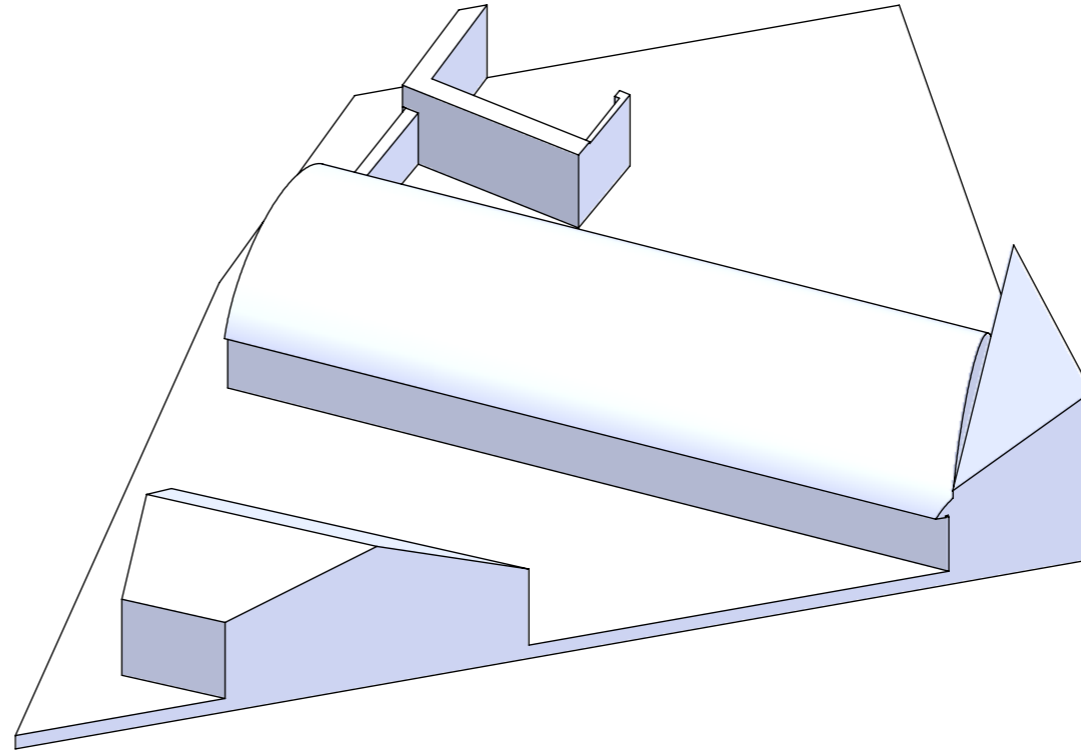
Third Angle Projection



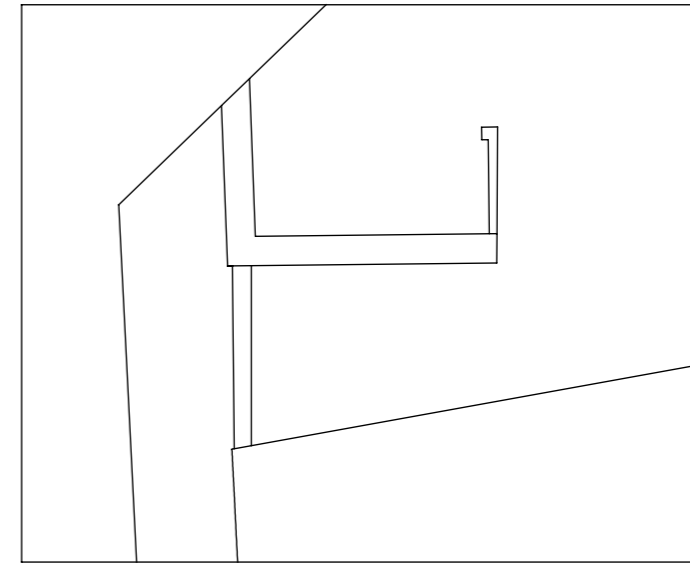
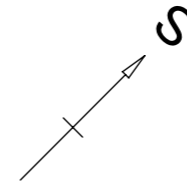
IF IN DOUBT ASK



Isometric View



Isometric View




Plan View
Scale 1 : 150

- Sheet 1 - Existing Elevations.
- Sheet 2 - Existing Isometric Views
- Sheet 3 - Proposed Elevations.
- Sheet 4 - Proposed Isometric Views.
- Sheet 5 - Proposed Section Details.

PRELIMINARY DRAWING

ISSUED FOR CONSENT, PLANNING, AND PROPOSALS
SPECIFICATION TO BE CONFIRMED AND EXISTING WALLS
TO BE SURVEYED BEFORE FINAL GROUND PLAN
CAN BE PROVIDED

 ALITEX™ GREENHOUSES AND CONSERVATORIES		TITLE Existing and Isometric Views. Planning Drawing - Ground Plan For a 3/Q Span 45° House With 315mm Bays.	
DRAWN LC	DATE 21/07/22	SCALE 1:200 @ A3	DWG NO. VPF6042/T
CHECKED LC 25.07.22	CHECKED	CUSTOMER / ORDER No. Mrs Sue Helm, Old Foxcote Farmhouse	Revision Sheet 2 of 5 -
			31261