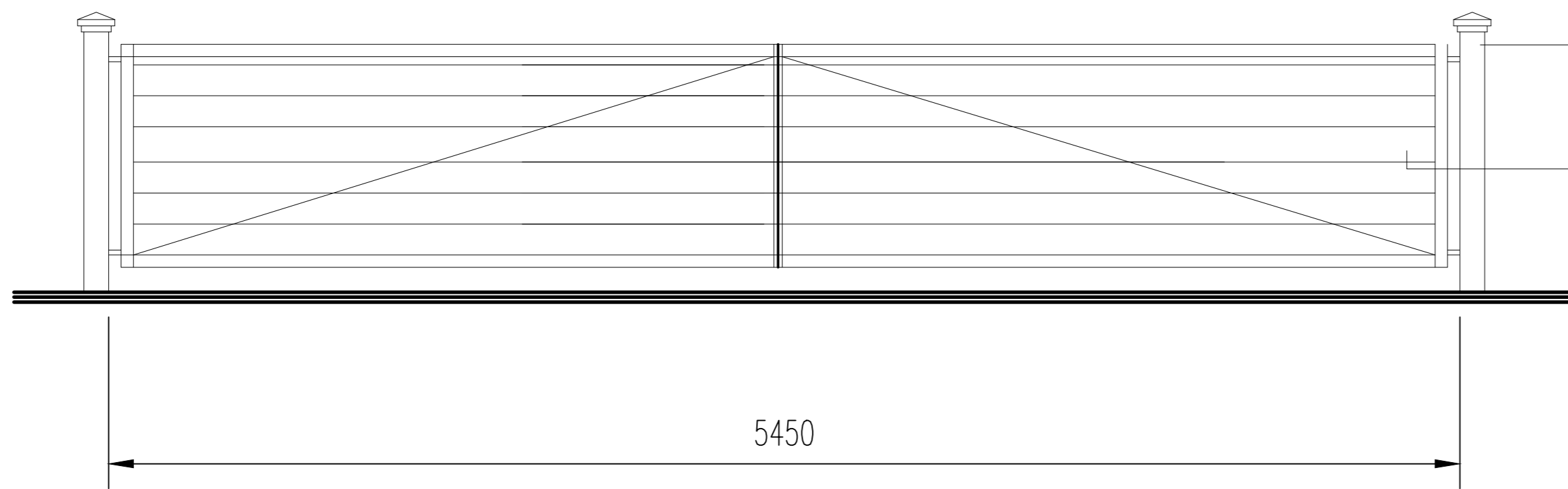
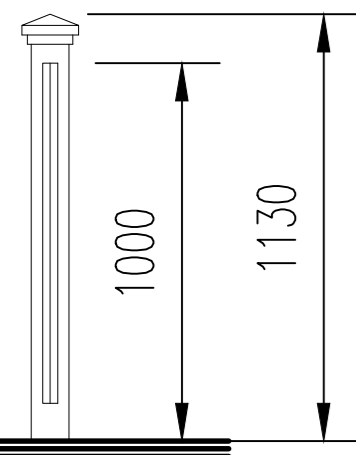


**PLANNING**

**Site Section A-A**

Scale 1:250 @ A2



black painted metal circular support

black painted metal stock gate

**Details of proposed entrance gate**

Scale 1:50 @ A2

Rev	Details	Date/Chk
CLIENT <b>Mr. D. Fletcher</b>		
PROJECT Proposed leisure development Land opposite the Hand and Diamond public house, Coedway, Powys		
DRAWING Proposed site section A-A and details of proposed entrance gates		
DRAWING NUMBER 20/10483/106	REVISION RGC	SCALE@A2 varies DATE 17.12.2020 DRAWN BY CHECKED BY



Barn 5a  
Sutton Hall Farm, Sutton Maddock  
Shropshire TF119NQ  
Tel 01952 730 492 Fax 01952 730 492/863