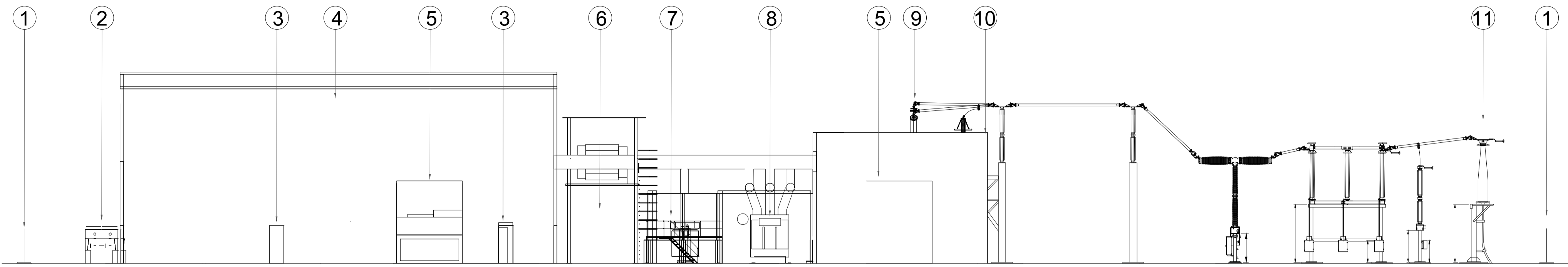
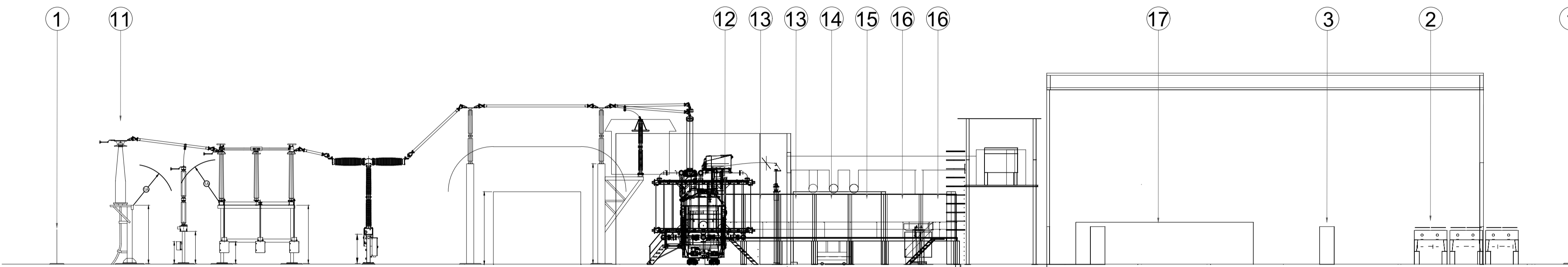


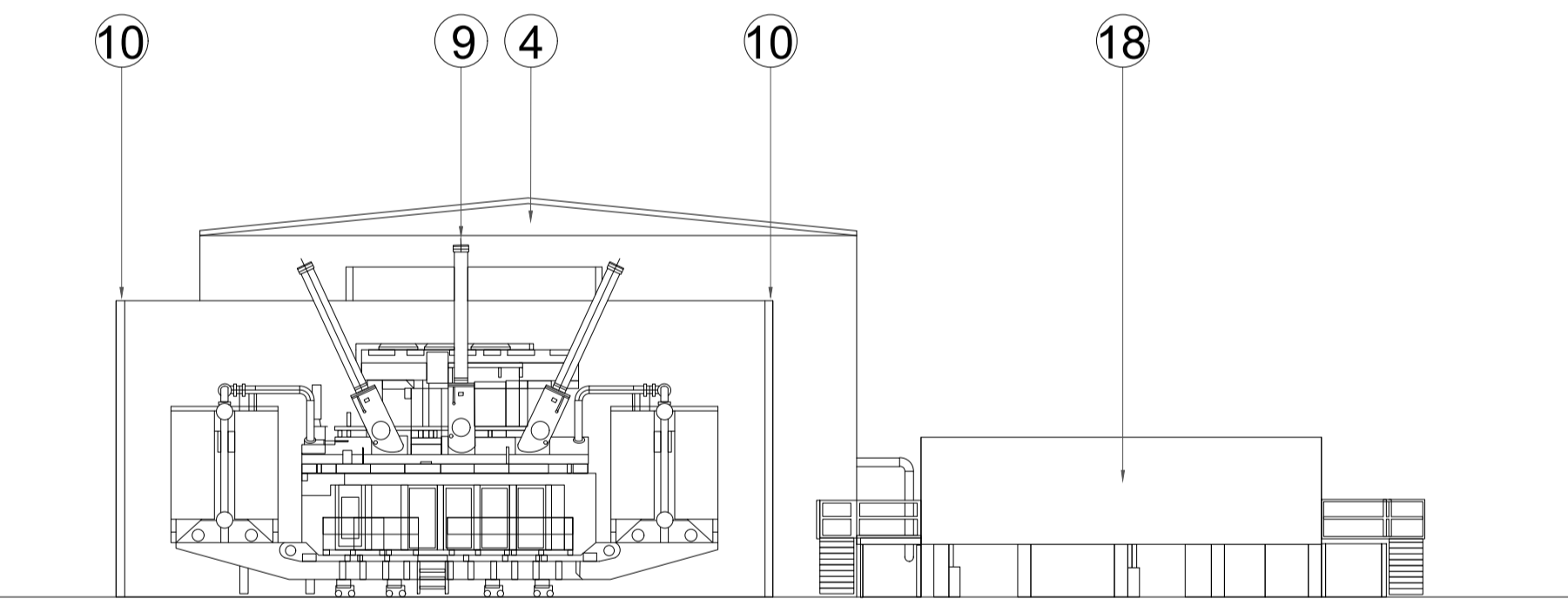
NORTH



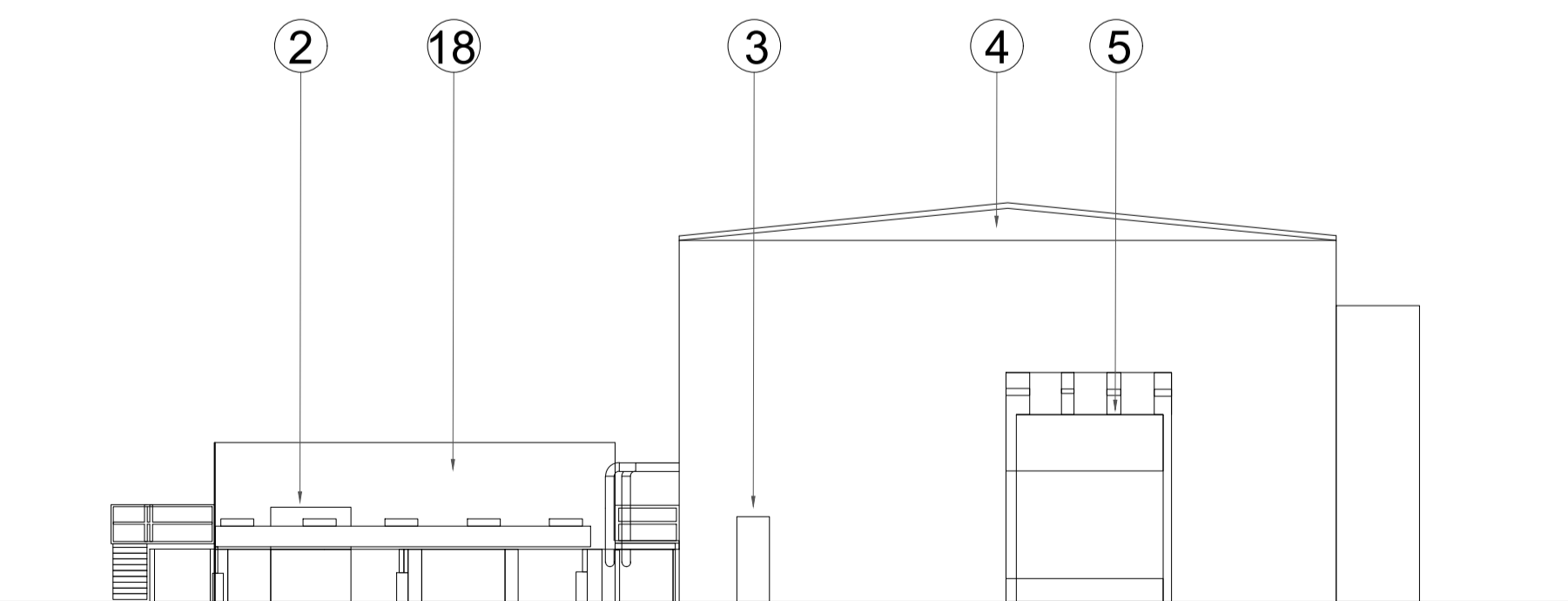
SOUTH



WEST



EAST



Revisions:

Revision	Date	Revision Notes	Drawn	Inspected
01	27.09.21	First Issue	PL	GH

NOTES:

INFRASTRUCTURE KEY	
1	PERIMETER FENCE
2	OUTDOOR COOLER
3	PEDESTRIAN ACCESS DOOR
4	MAIN GENERATOR BUILDING
5	ROLLER SHUTTER DOOR
6	GENERATOR CIRCUIT BREAKER
7	AUXILIARY TRANSFORMER
8	START UP TRANSFORMER
9	MAIN TRANSFORMER
10	FIREWALL
11	SUBSTATION CONNECTION
12	SFC & EXCITATION CONTAINER
13	AC/DC DISTRIBUTION CONTAINER
14	UMD & INVERTER CONTAINER
15	C & P CONTAINER
16	BATTERY CONTAINER
17	WELFARE CONTAINER
18	MULTI CONTAINER BUILDING

Status:

**PLANNING**



Suites D and E, Windrush Court, Blacklands Way, Abingdon  
OX14 1BF  
Tel: 01235 427290  
info@conradenergy.co.uk www.conradenergy.co.uk

Drawing Title:

**Synchronous Condenser Elevations**

Drawn: PL	Checked: GH	First Issued: 27.09.21
Project Code: <b>CRE-</b>	Drawing Number: <b>SD-15</b>	
Sheet Size: <b>A1</b>	Scale: <b>1:200</b>	Revision: <b>01</b>