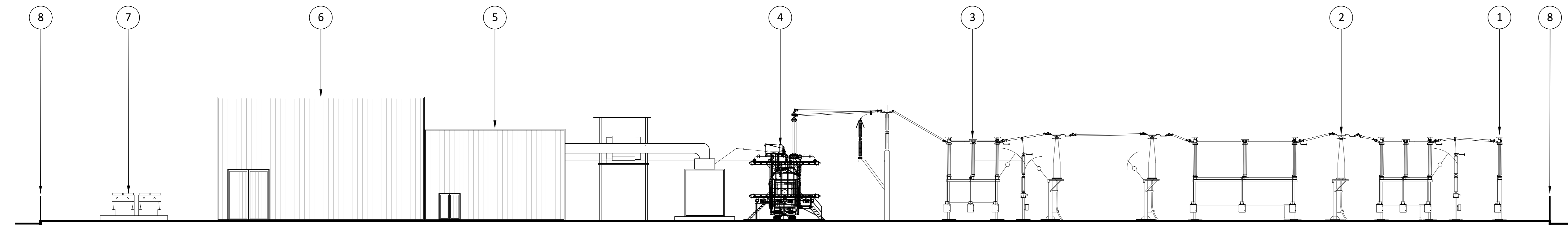
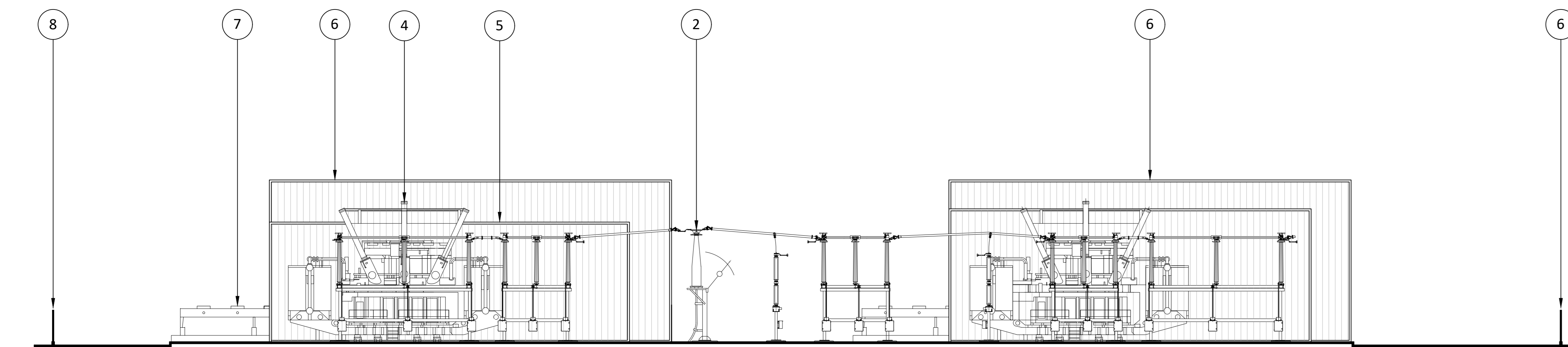


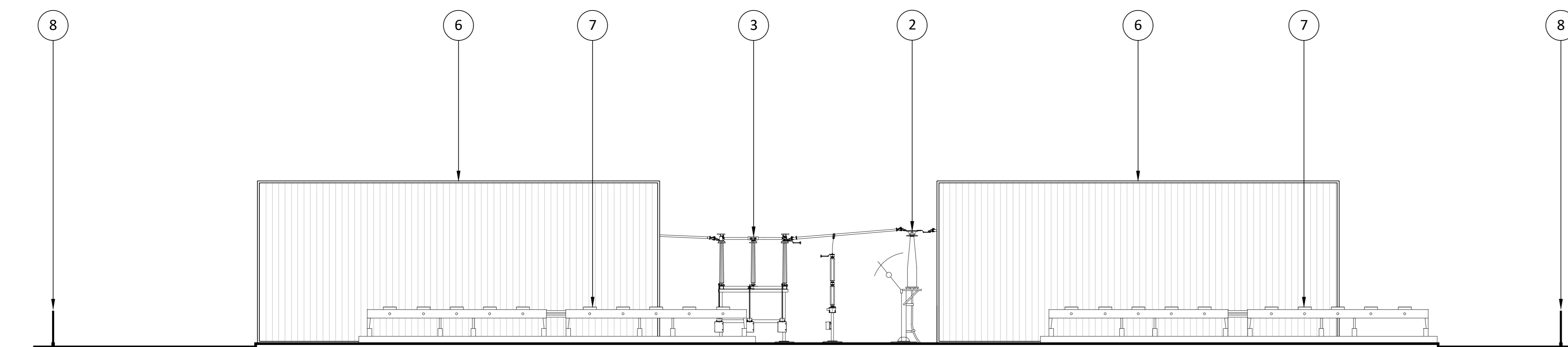
SECTIONAL ELEVATION A-A



SECTIONAL ELEVATION B-B

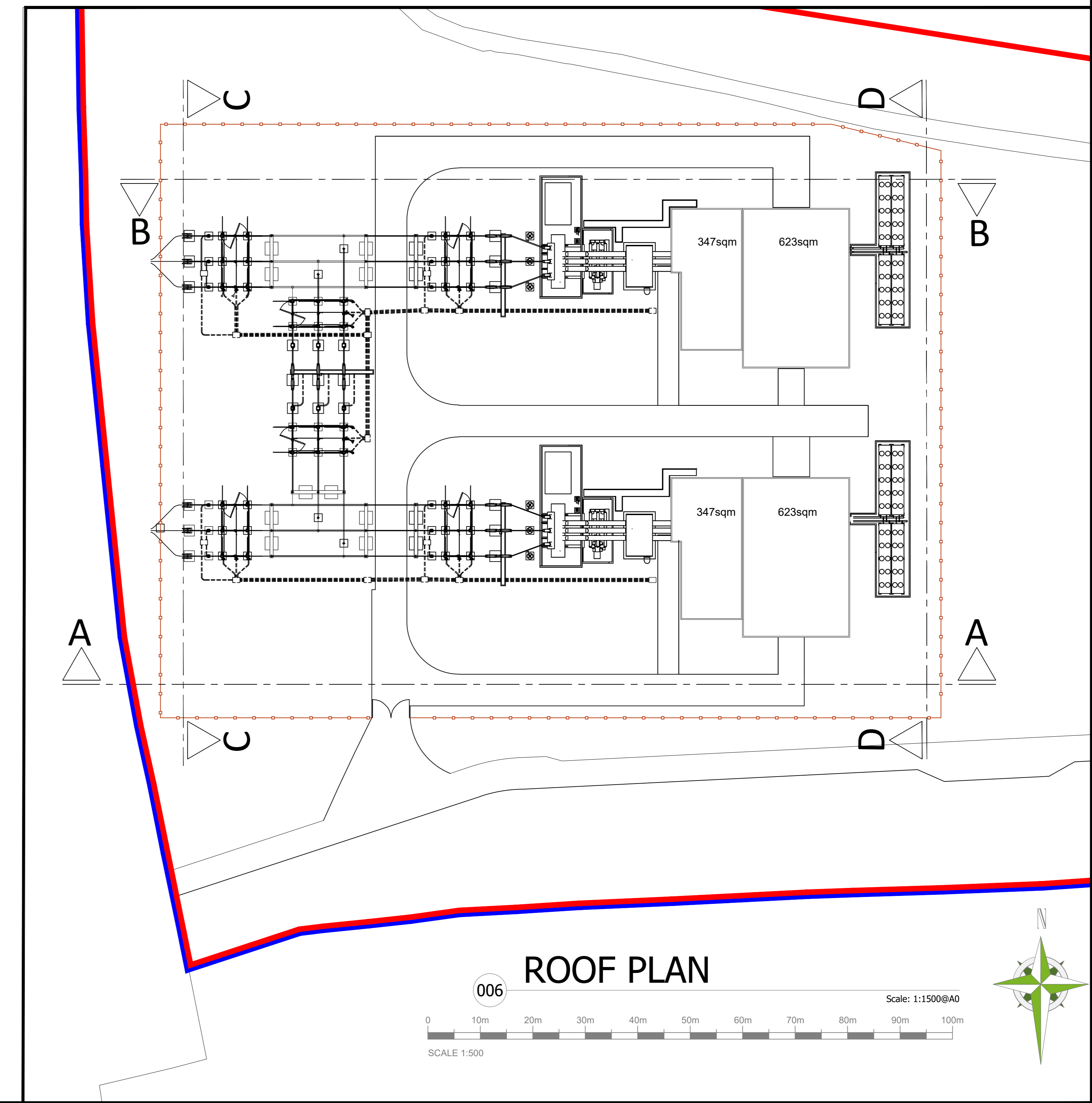


SECTIONAL ELEVATION C-C



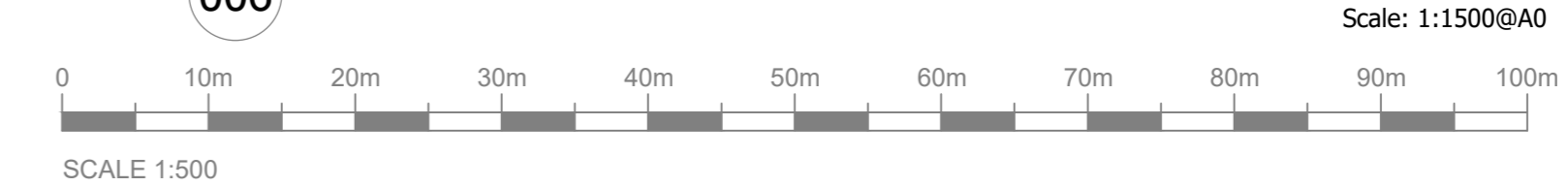
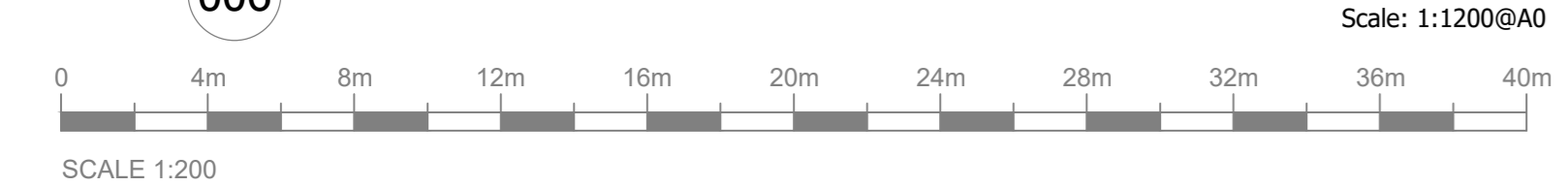
SECTIONAL ELEVATION D-D

INFRASTRUCTURE KEY	
1	CABLE SEALING END
2	DISCONNECTOR WITH TWO EARTH SWITCHES
3	CIRCUIT BREAKER
4	CURRENT TRANSFORMER
5	RELAY ROOM
6	SYNCHRONOUS CONDENSER
7	VENTILATION EQUIPMENT
8	COMPOUND FENCE



ROOF PLAN

SECTIONAL ELEVATIONS



REV	REVISION NOTES	DATE

Design

ALL DIMENSIONS TO BE CHECKED ON SITE
 WORK TO FIXED DIMENSIONS ONLY
 REPORT DISCREPANCIES TO CONRAD ENERGY LTD
 AT ONCE BEFORE PROCEEDING.
 COPYRIGHT ACT APPLIES



Project Title:
 PROPOSED SYNCHRONOUS CONDENSER
 LAND OFF - LEYS LANE
 YAXLEY
 611791, 275017

Drawing Title:
 PROPOSED SECTIONAL ELEVATIONS
 ROOF PLAN

Scale @A0: 1:200 & 1:500 Date: 25-07-2022
 Drawn: ST Checked: JC
 Drawing No: YAX-SYNCO-SEL-RP-006