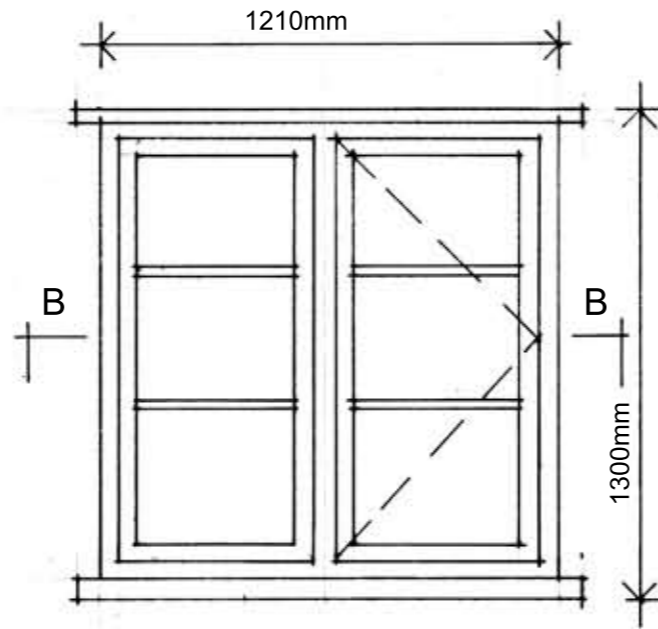
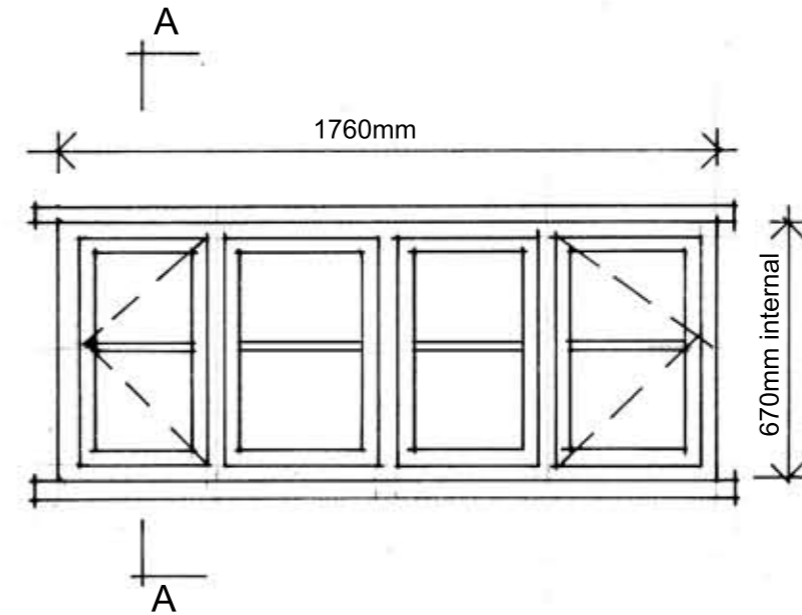


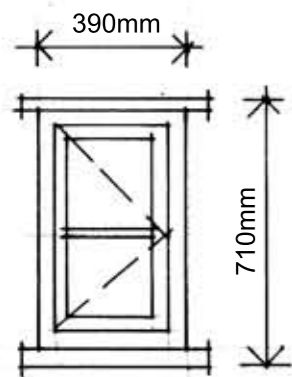
W1 first floor



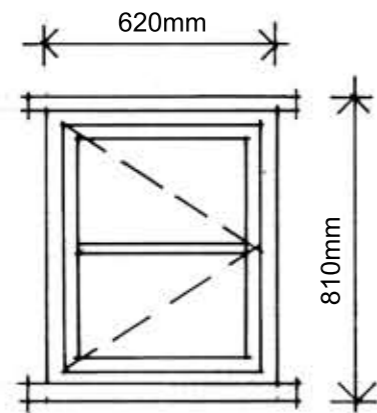
W2 and W3 ground floor



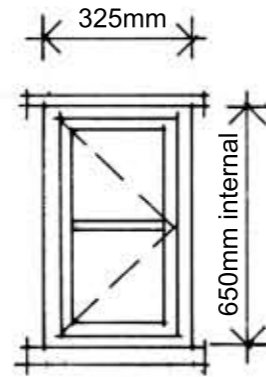
W4 first floor



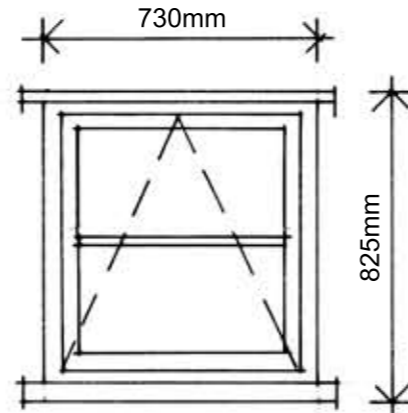
W5 ground floor



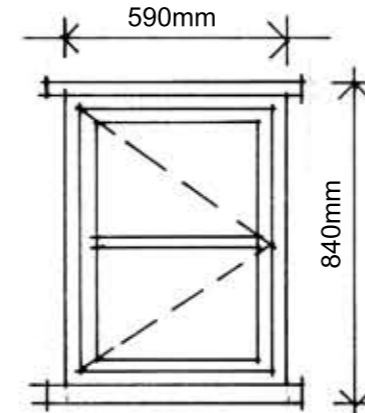
W6 ground floor



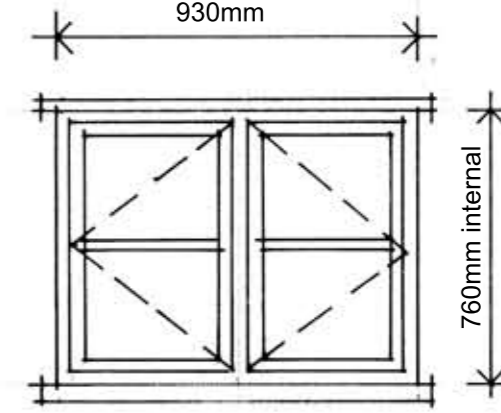
W7 first floor



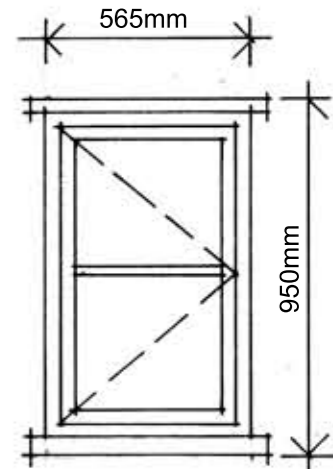
W8 ground floor



W9 ground floor



W10 first floor



W11 ground floor

Note: all dimensions subject to site survey before manufacture

Church Cottage
2 & 3 Town Yard
Westhorpe

Replacement windows
External elevations

PAUL WESTON

Drawing no 0165/01
Scale 1:20@A3