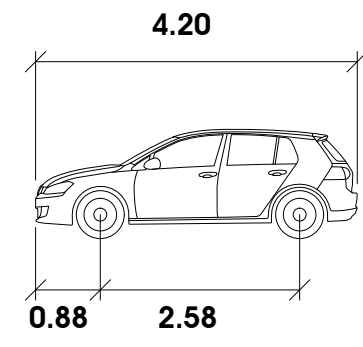
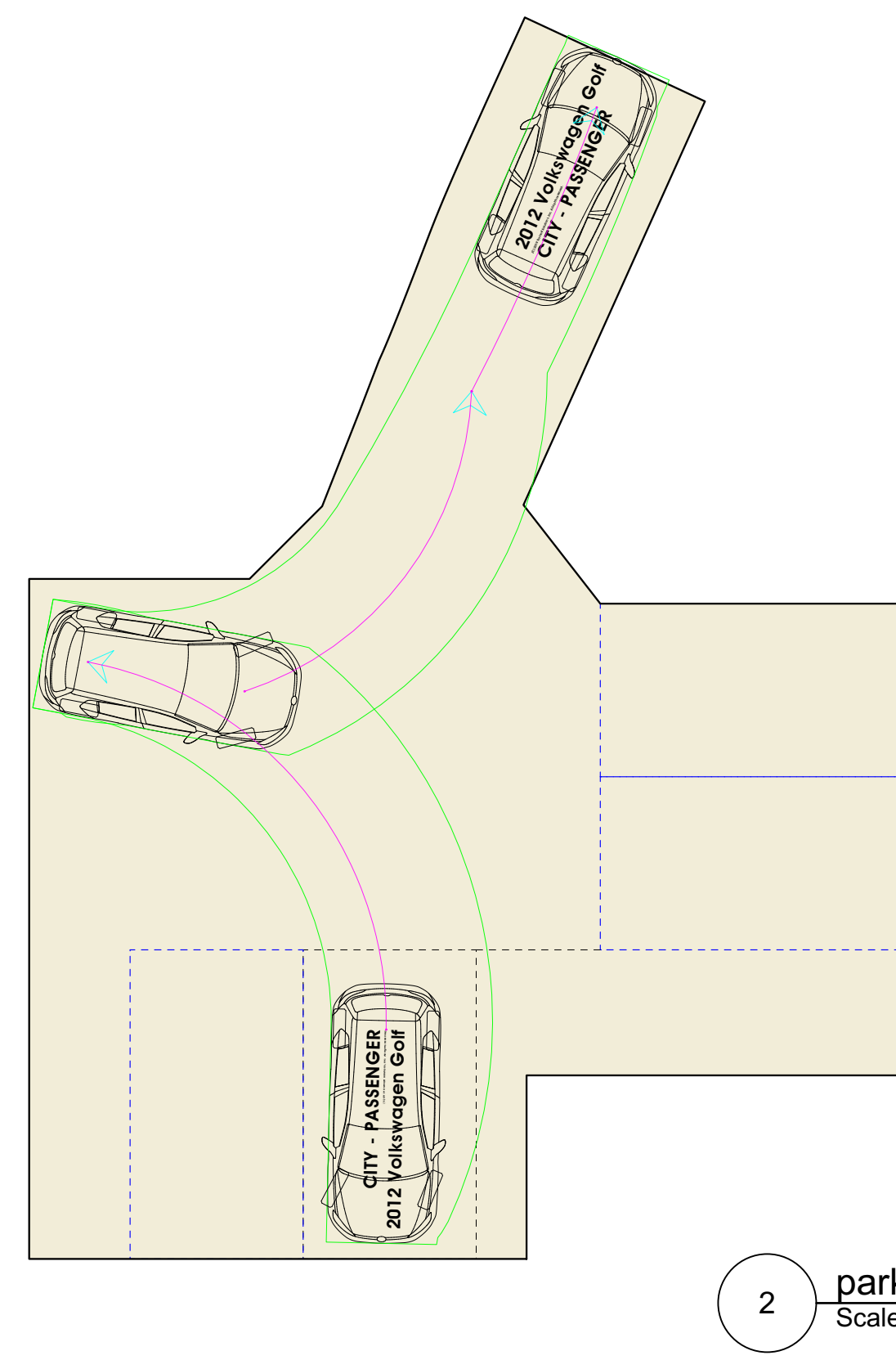


1 parking space 1  
Scale: 1:100

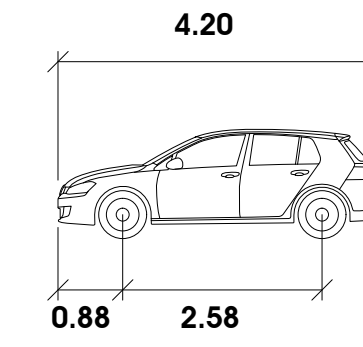


2012 Volkswagen Golf

	Meters
Width	: 1.79
Track	: 1.73
Lock to Lock Time	: 6.0 s
Steering Angle	: 33.2 deg

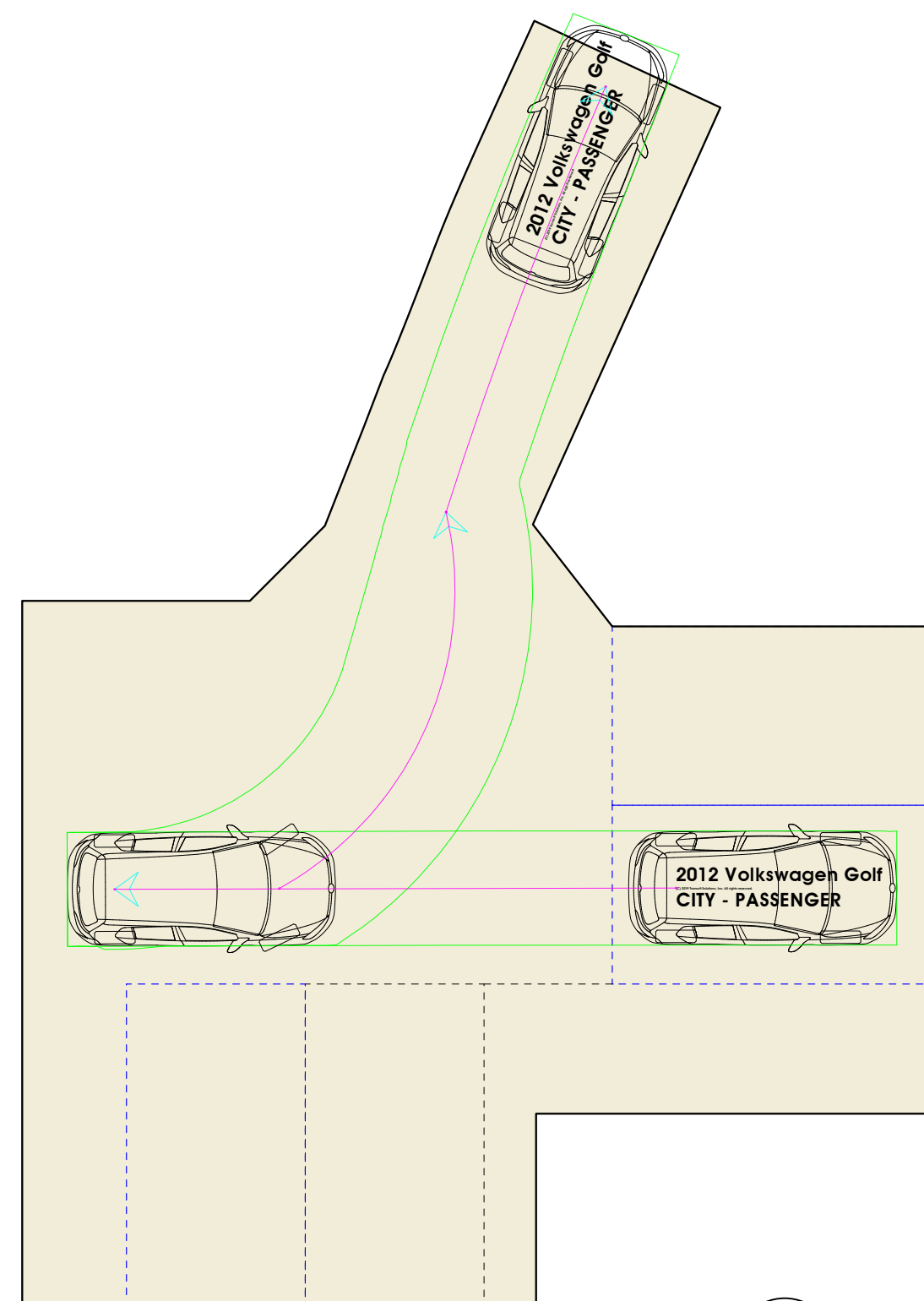


2 parking space 2  
Scale: 1:100

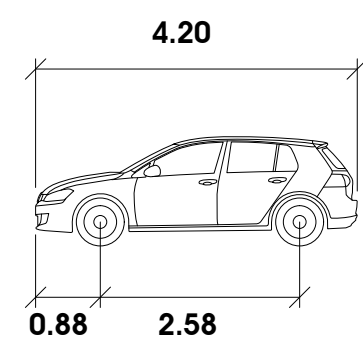


2012 Volkswagen Golf

	Meters
Width	: 1.79
Track	: 1.73
Lock to Lock Time	: 6.0 s
Steering Angle	: 33.2 deg

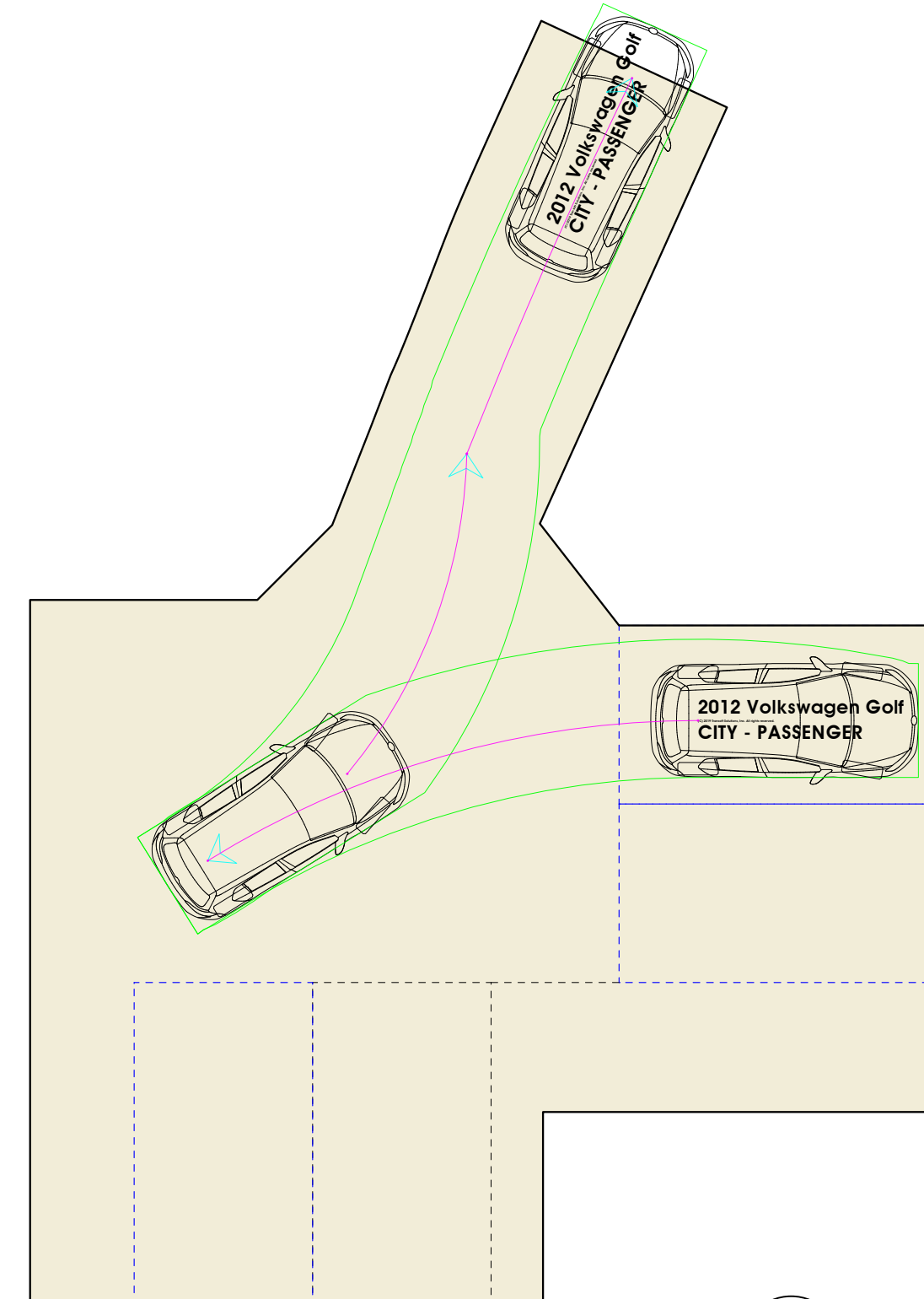


3 parking space 3  
Scale: 1:100

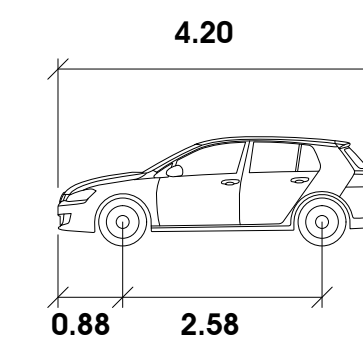


2012 Volkswagen Golf

	Meters
Width	: 1.79
Track	: 1.73
Lock to Lock Time	: 6.0 s
Steering Angle	: 33.2 deg

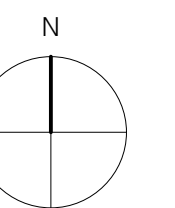


4 parking space 4  
Scale: 1:100



2012 Volkswagen Golf

	Meters
Width	: 1.79
Track	: 1.73
Lock to Lock Time	: 6.0 s
Steering Angle	: 33.2 deg



NEW DWELLING

8 STOCK LANE, WHADDON, MK17 0LS

Peter Hudc

Drawn by: - Checked by: - Set: - © Copyright GA

Title PARKING - SWEEP PATH ANALYSIS

Scale 1:100 @ A1 Date 13 June 2022

Project No. 21-22

Stage-Drawing No.

3-062

PLANNING rev

0 1 2 3 4 5m

