

General Notes

- This drawing is to be read in conjunction with other engineers, designers, subcontractors and specialists drawings and any associated specifications and details. Any discrepancies are to be reported to the CA/client or relevant project manager before proceeding with the works.
- All workmanship and materials are to be carried out in accordance with current British Standards, Codes of Practice and good building practice.
- All work to be to the satisfaction of the Building Control checking authority.
- Do not scale this drawing. All dimensions to be as noted. Contractor to check all dimensions on site before carry out works.
- Where existing elements are exposed or investigated during the building works and are found to be not as assumed then contractor to confirm and notify CA/design team/client as applicable before proceeding with works.
- The contractor is responsible for site health & safety including taking all necessary precautions to ensure stability of both existing and proposed structures at all times during construction. Contractor to contact structural engineer immediately where any doubts arise on site.
- All services/utilities are to be located and protected as necessary by the contractor prior to the commencement of the works.
- This drawing is for the private and confidential use of the client for whom it was undertaken and it should not be reproduced in whole or in part or relied upon by third parties for any use without the express written authority of Beech Architects Limited.

RESIDUAL RISK TO HEALTH & SAFETY

Whilst we have made every attempt to design out risk associated with our design some risks may remain. Significant residual risks relating to our design are detailed below with our assessment of how these may be managed. The contractor remains responsible for identifying and managing risk associated with construction processes and site safety and these risks should be identified within the contractor's Construction Health & Safety Plan all operations carried out in accordance with HSE requirements. Current Code of Practice and compliance with CDM 2015 regulations.

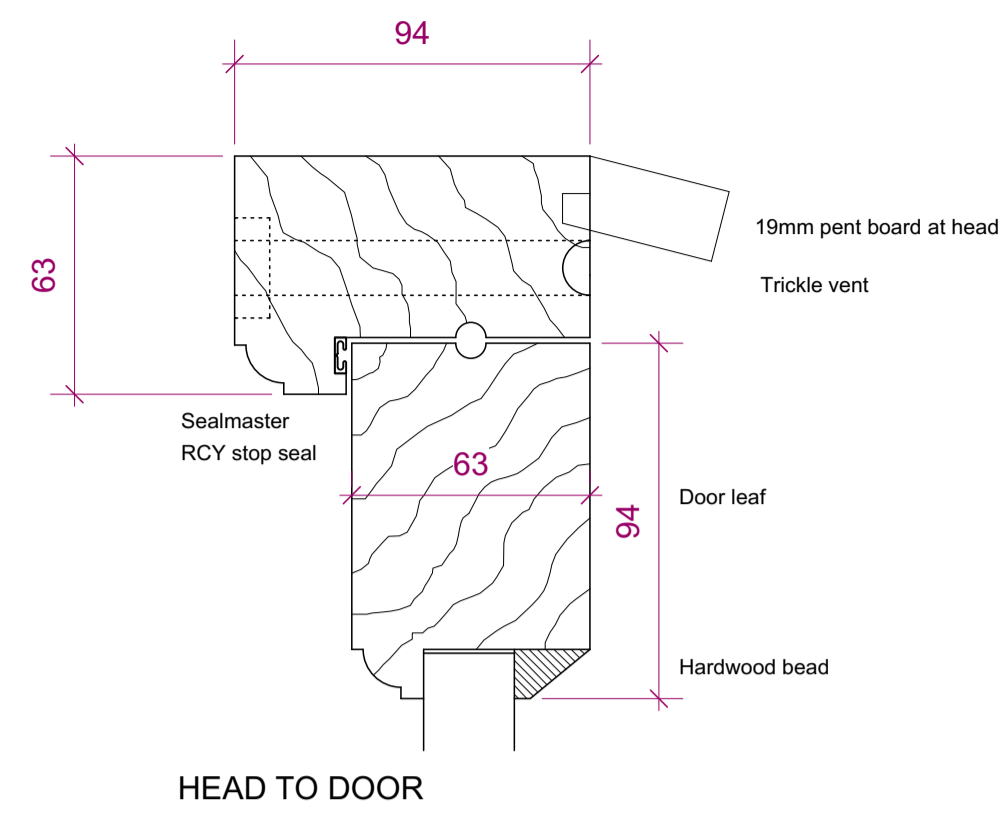
Numbered triangles further highlight specific locations where residual risks remain:

- Access equipment for cleaning and maintenance will be required and works undertaken by qualified and competent person.

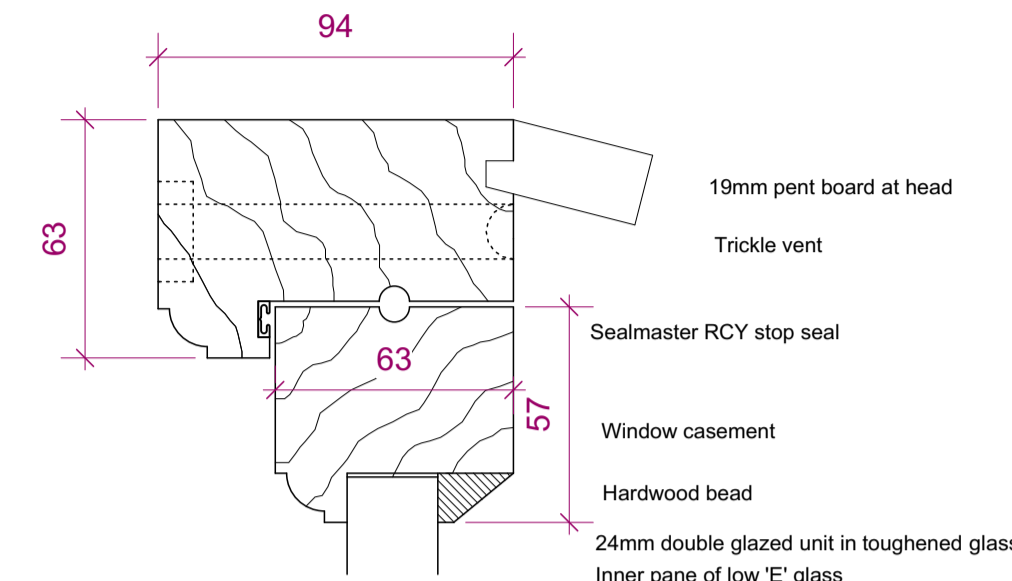
- The risks associated with working at height should be reduced by using appropriate scaffold, platforms, mobile elevating equipment, safety nets or fall arrest systems as deemed appropriate by the contractor's review and assessment of the construction methodology & process.

- The locations of all existing services and utilities must be confirmed prior to commencement of the works.

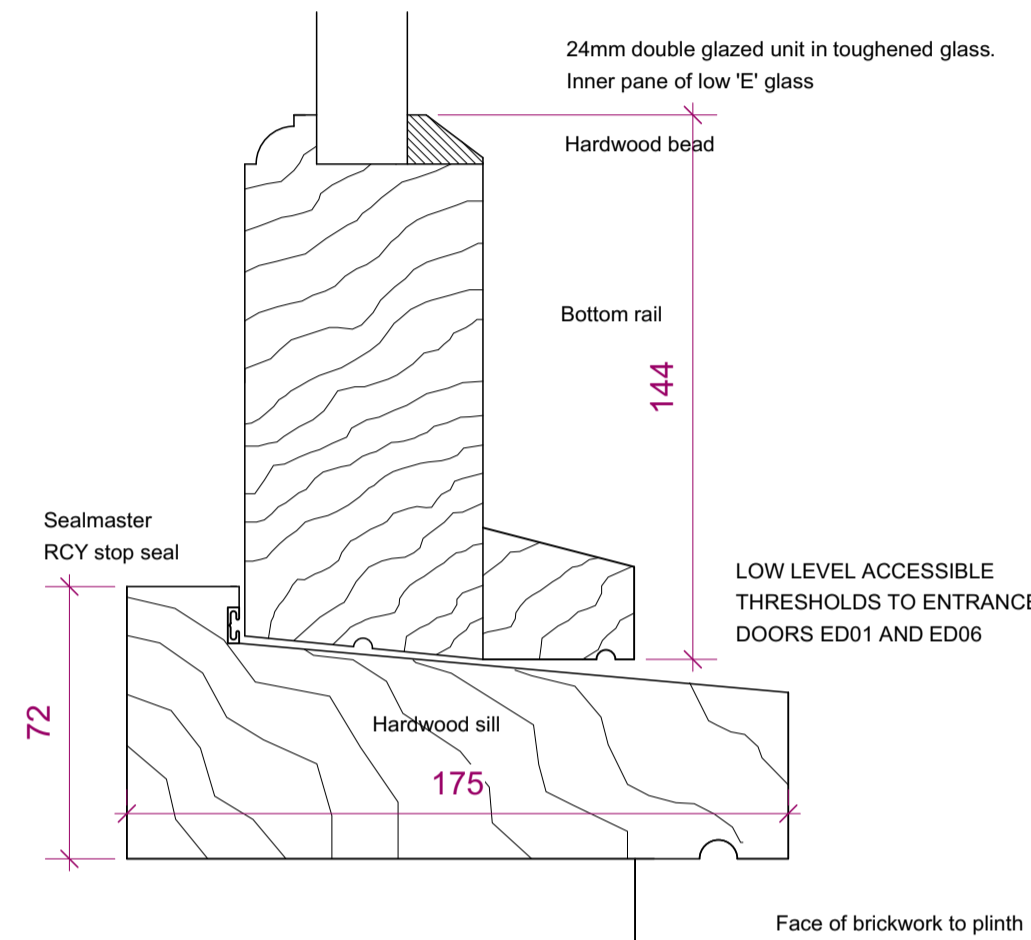
- The engineer must be contacted immediately where unsure or concern raised regarding the stability of any structure.



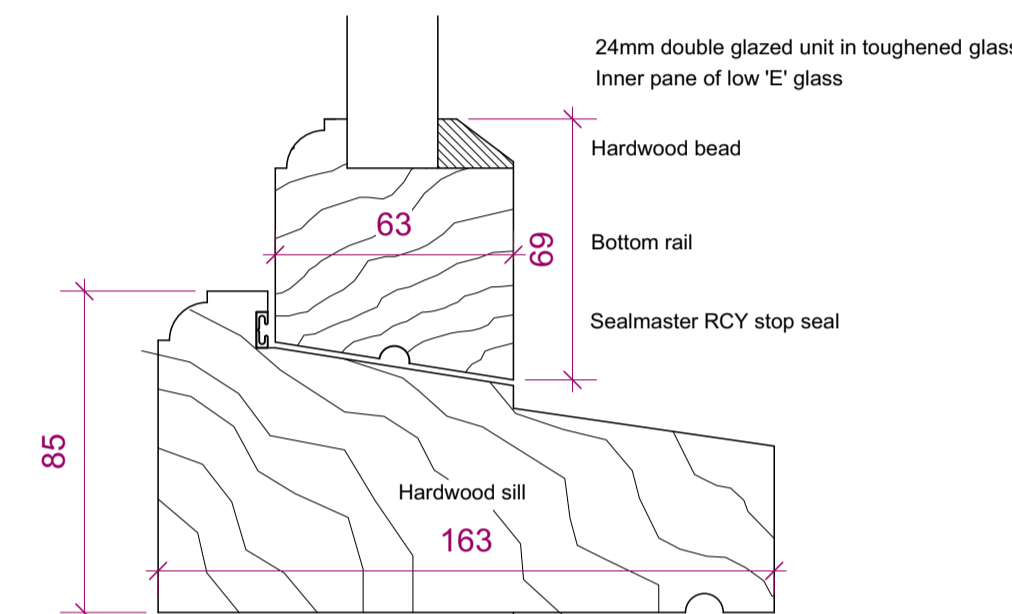
HEAD TO DOOR



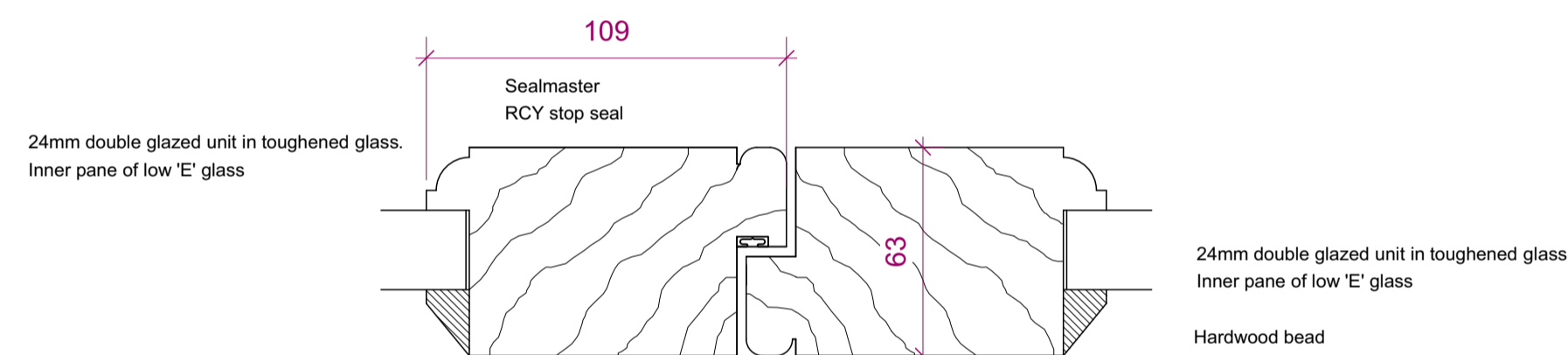
HEAD TO WINDOW CASEMENT



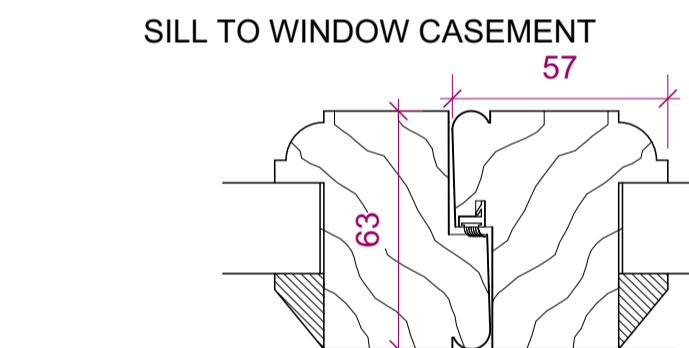
SILL TO DOOR



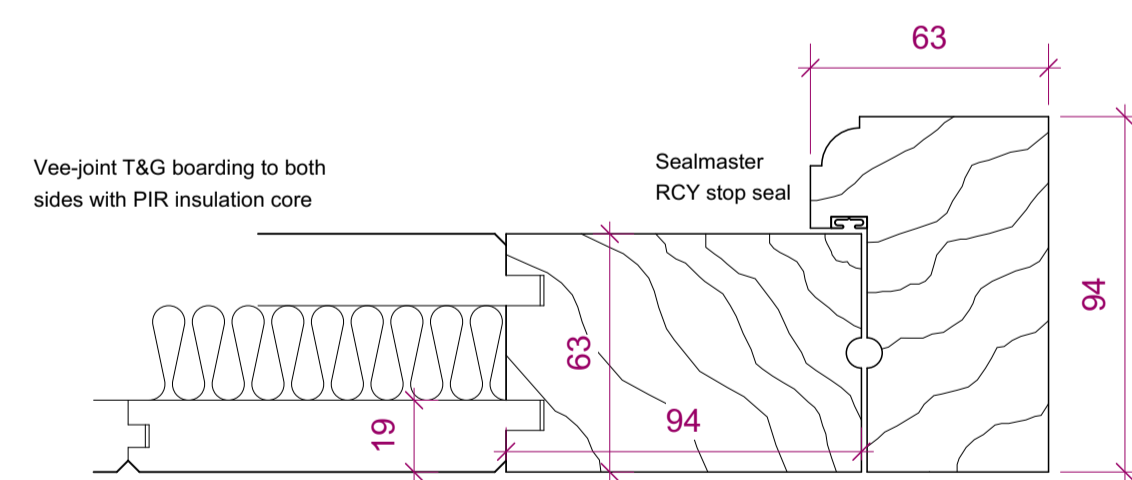
SILL TO WINDOW CASEMENT



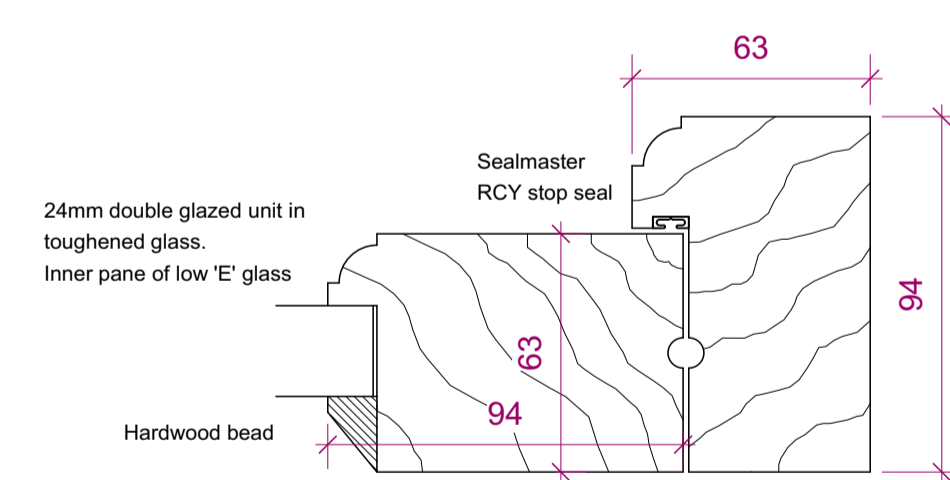
DOOR MEETING STILES



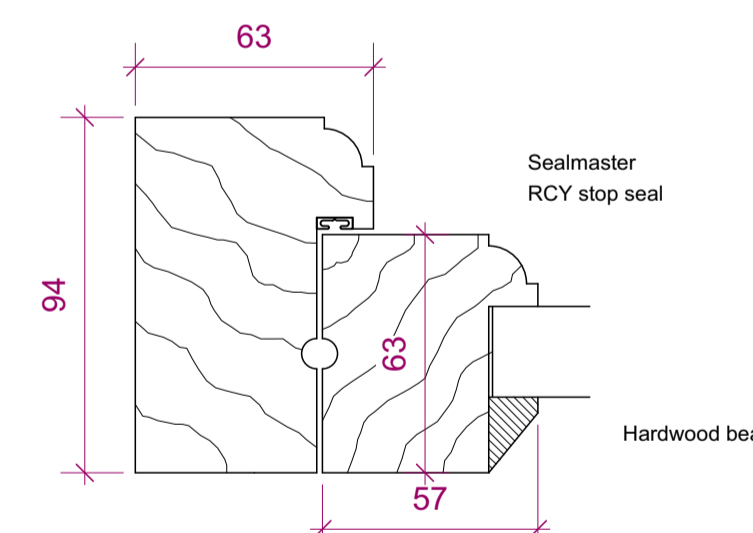
MEETING STILES TO WINDOW CASEMENT



JAMB TO GLAZED DOOR



JAMB TO BOARDED DOOR



JAMB TO WINDOW CASEMENT

SEE DRAWING WD08 FOR WINDOWS AND EXTERNAL DOORS ELEVATIONS / STYLES

Rev A 25.05.22 Building control issue

		Church Farm Barn The Street Thromdon Suffolk IP23 7JR e enquiries@beecharchitects.com t 01379 678442	
CLIENT Subgero Limited			
PROJECT Wilby Manor Woodten Green Wilby Suffolk IP21 5LB			
DRAWING Windows and External Doors Joinery Details			
SCALE 1:2 @ A1	DATE Feb 2022	DRAWN BY IJT	CHECKED
DRAWING NUMBER WD09	JOB NUMBER 547	STATUS Building Regs	REV A

This drawing is copyright and remains the property of Beech Architects Ltd. Original size A1. Scale shown will be incorrect if reproduced in any other format. All dimensions to be checked on site.