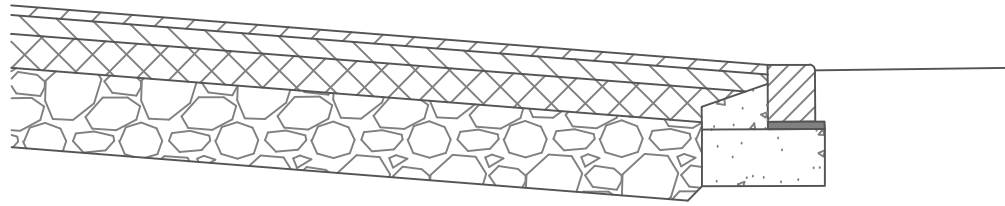
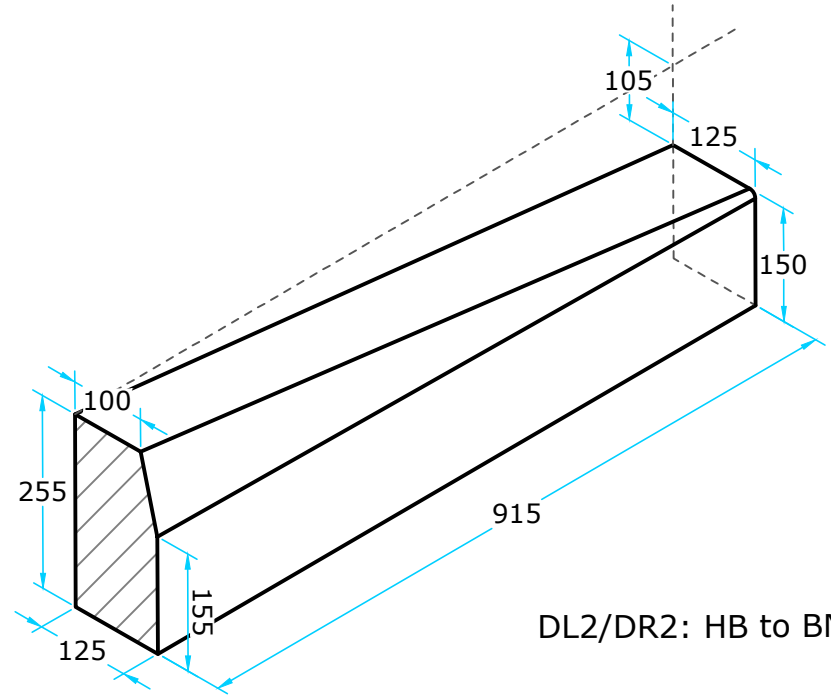


MAX 1:12

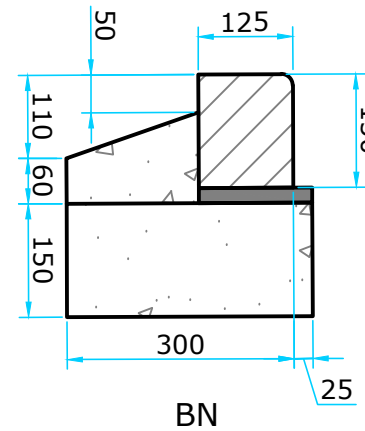


Surface Course 25mm AC6 Dense Surf 100/150
Binder Course 50mm AC20 Dense Bin 160/220
Base Course 90mm AC32 Dense Base 160/220
Sub-Base 210mm Type 1 Granular



SCALE 1:20




DL2/DR2: HB to BN



KEY

-  ST2 Concrete
-  20mm Class (i) Mortar

SCALE 1:10

STATUS PRELIMINARY	PROJECT NUMBER 3160	DRAWN BY SJG	Block 1 Unit 22 Cannock Chase Enterprise Centre Cannock, Staffordshire, WS12 0QU T 01543 753 200 E info@greatrixconsulting.com W www.GreatrixConsulting.com	
PROJECT 19 UTTOXETER ROAD, HANDSCARE, WS15 4DW	REVISION P1	SIZE A4		
DRAWING HIGHWAY CONSTRUCTION DETAILS	DATE 14/08/2022	SCALE AS SHOWN		