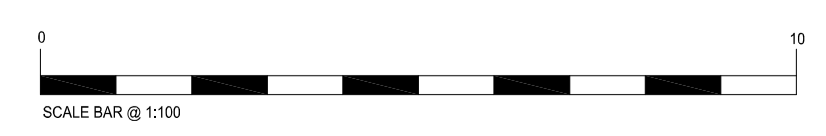
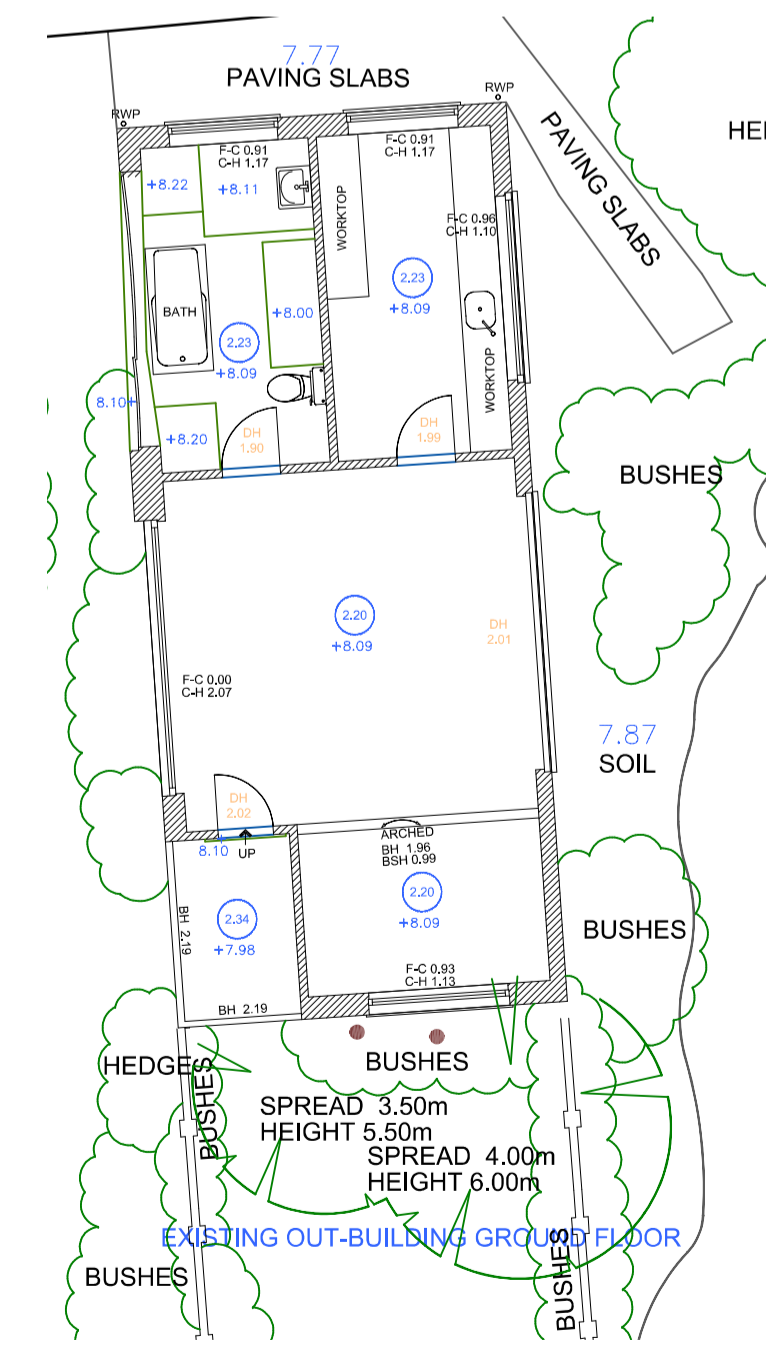
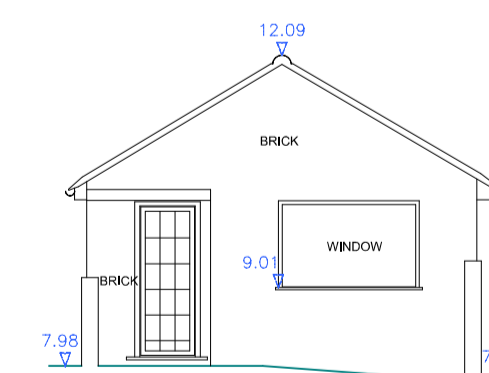
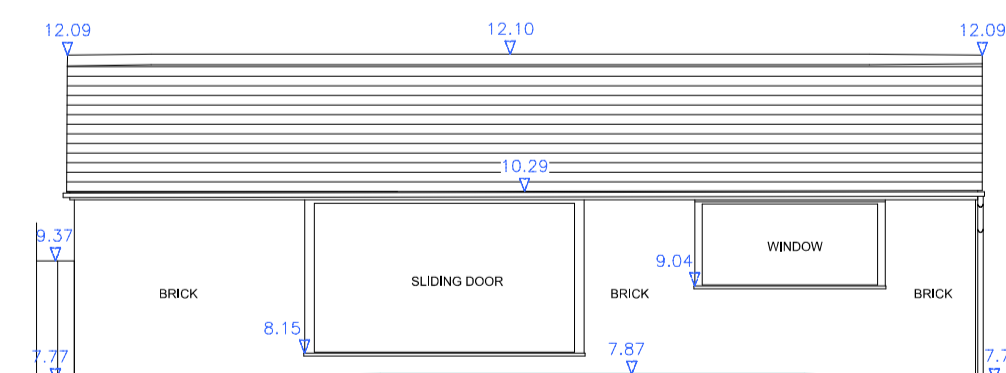
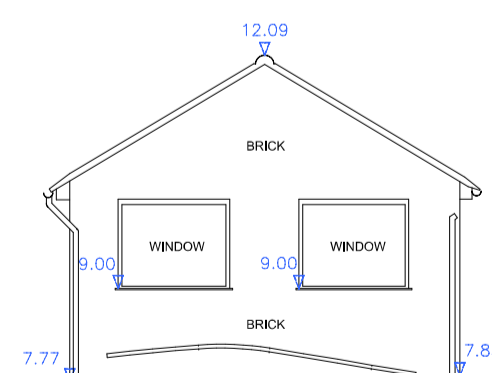
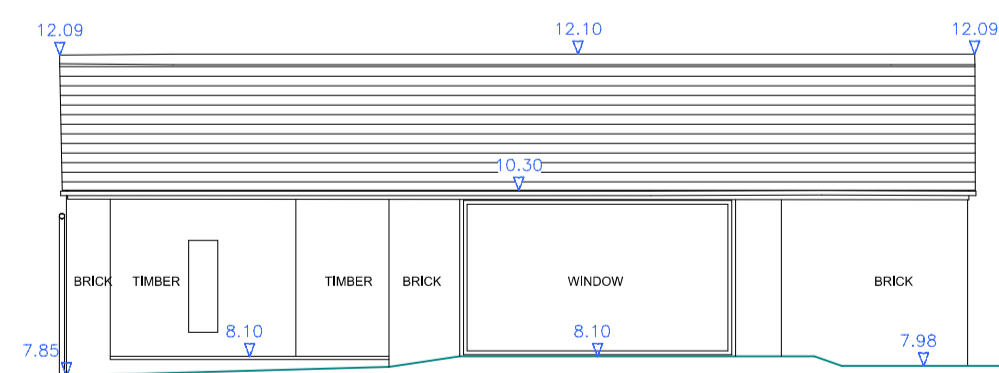
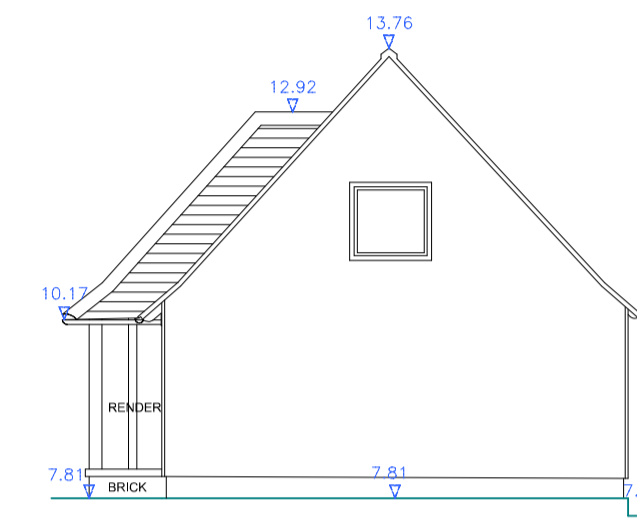
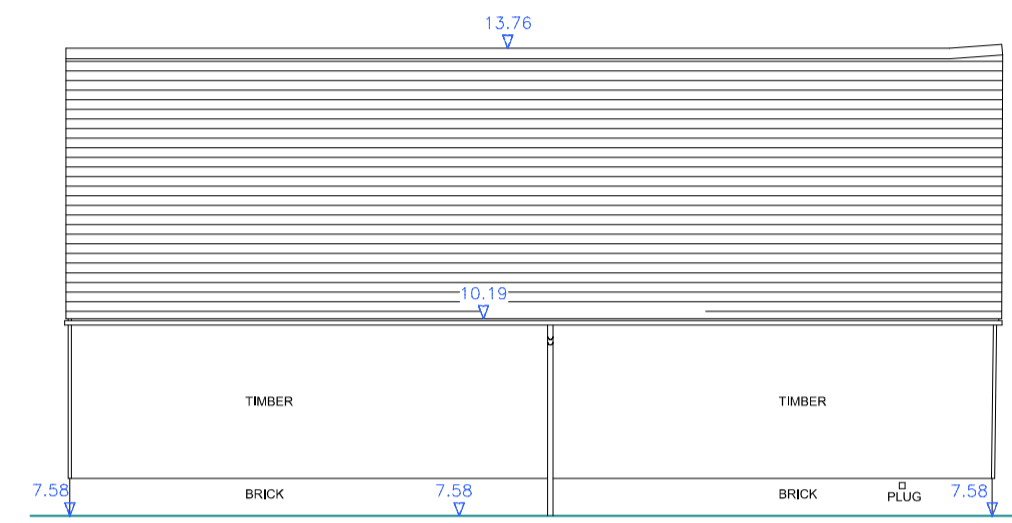
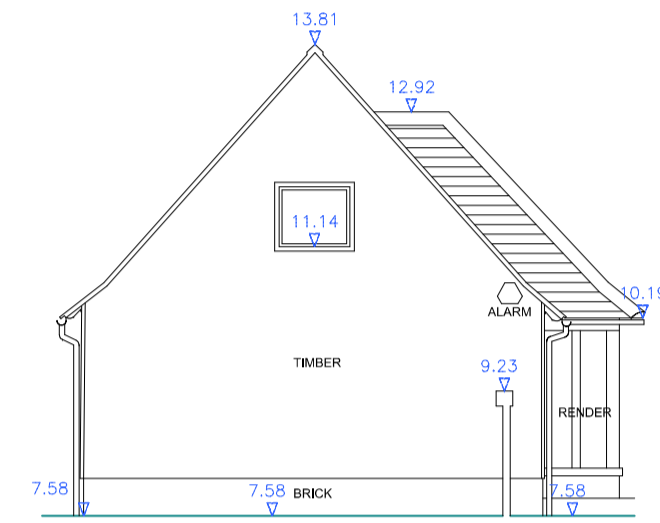
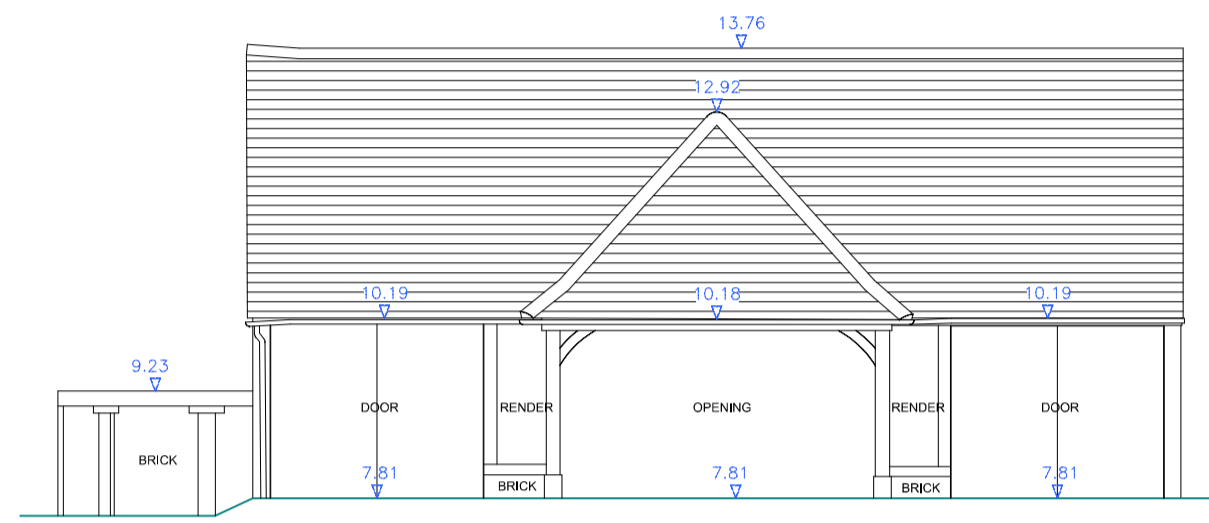


- This drawing is not to be scaled.
- Contractors must check all dimensions on site, Architect to be notified of any discrepancies in figured dimensions.
- This drawing is copyright.



Rev.	Drawn	Description	Date

MP ARCHITECTS LLP
CHARTERED ARCHITECTS

Great Basons, Basons Lane, Ongar, Essex. CM5 9AR
T: 01277 364979 E: info@mparchitectsllp.co.uk
W: www.mparchitectsllp.co.uk

Status	FOR PLANNING		
Project	Yew Tree Farm, Navestock Heath, Essex, RM4 1HD		
Drawing	Existing Floor Plans and Elevations - Outbuildings		
Scale	1:100 @ A1	Date	December '21
Drawn by	TW	Project no.	2659
Checked by	-	Drawing no.	04
		Revision	-