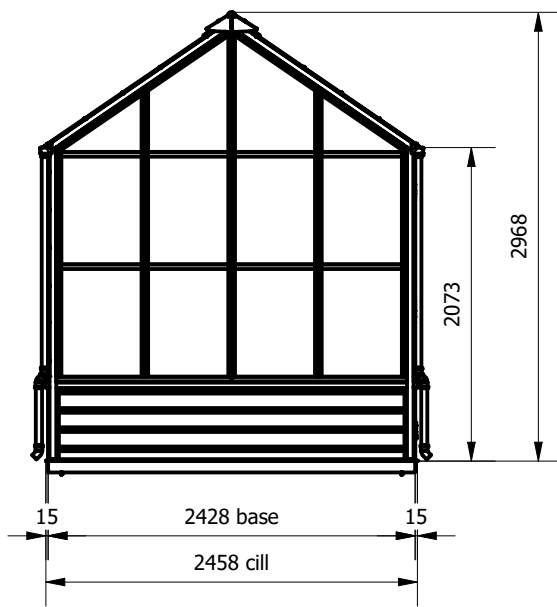
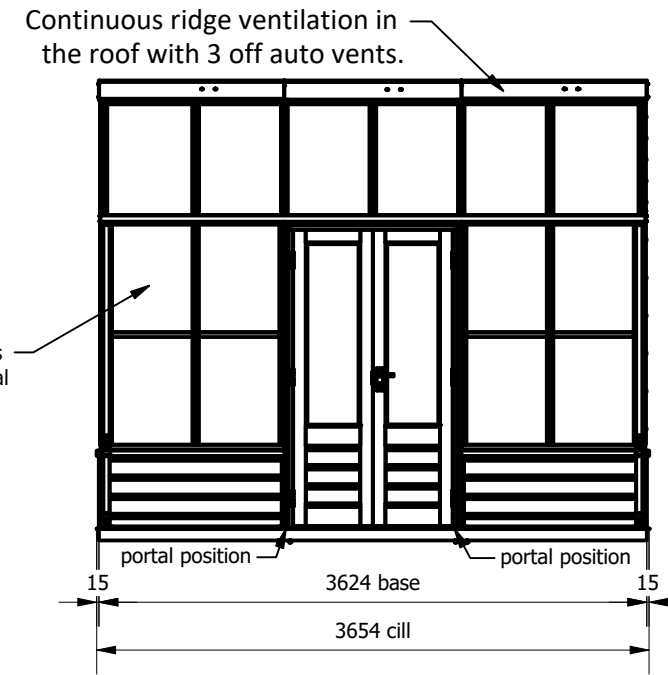


REV	DESCRIPTION	ZONE	CHECKED BY	DATE
A	ORIGINAL	N/A	BRB	24/05/2022

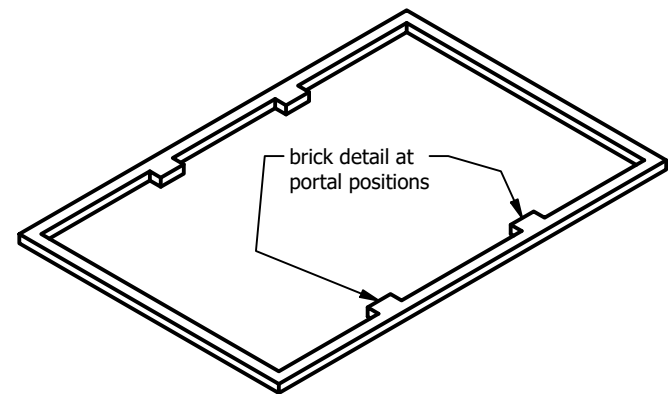
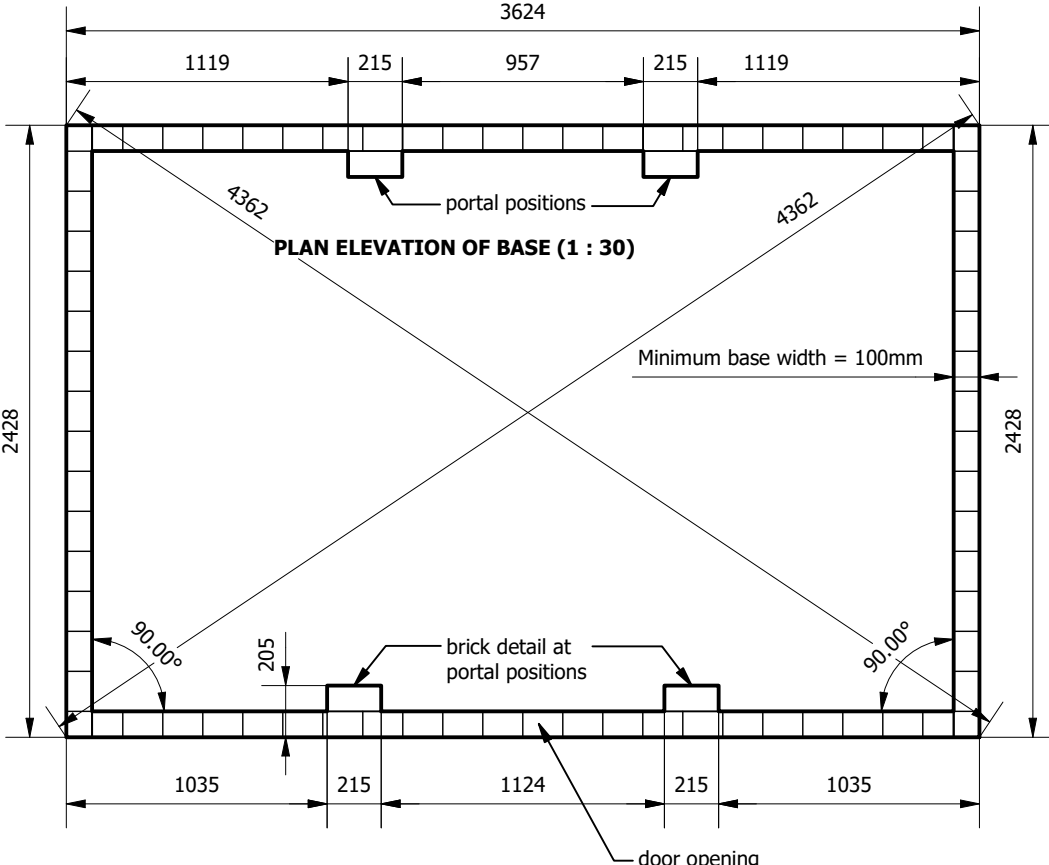
**LEFT ELEVATION**



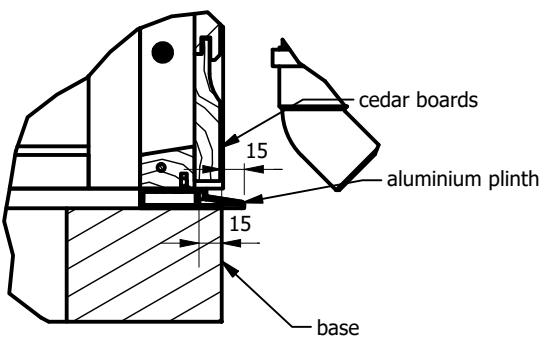
**FRONT ELEVATION**



**PLAN ELEVATION OF BASE (1 : 30)**



Isometric view of base



**FOUNDATION AND WALLING PLAN**

Please read the following construction details carefully to ensure that your Gabriel Ash structure can be erected in a trouble-free manner. If you have any doubts as to the correct methods, please do not hesitate to contact us on 01242 662926.

The base onto which the structure sits and is fixed must be flat and level and will raise the structure above ground level to allow the timber structure to dry out and provide adequate drainage. Depending on your preference the base may be of brick, firmly laid and secure flagstones, or a concrete slab. If you choose to construct a brick base, YOU MUST USE A SOLID BRICK TYPE WITH NO HOLES OR 'FROGS'. We suggest either engineering quality bricks, or concrete pavers.

The drawing shows a brick base constructed by laying a single brick course with header bricks at portal positions. Dimensions across the corners of the brickwork must be equal to ensure squareness.

The foundation to support your bricks or flagstones should be of coarse concrete to an adequate depth dependant on your ground conditions. We suggest you liaise closely with your builder who will be able to provide advice on this matter. If using brick for the base, a foundation 100mm wider than the brick course x 100mm deep is the minimum recommendation. The bricks, or flagstones must be SECURELY cemented to a suitable foundation using a mixture of 3 parts sand to 1 part cement.

- For Lean To / Vinehouse structures relating to existing wall against which structure is to be fixed: -
1. The wall must be vertical. Checked with a plumb line & within 6mm (1/4") without twist.
  2. The wall must be flat. Checked with a straight edge & within 6mm (1/4") without twist.

IF THE ABOVE CONDITIONS ARE NOT MET THEN A GOALPOST FRAME MUST BE FITTED to provide a true face against which the structure can be fixed. All dimensions should then be taken from the face of the goal post frame. We will provide detailed dimensions for a goalpost upon request.

FLASHING MUST BE INSTALLED PRIOR TO ERECTION OF THE STRUCTURE; we recommend Code 4 (150mm wide) lead flashing at a height as shown 70mm above overall height on abutting wall (see detail A). All flashing is the client's responsibility.

**IMPORTANT INFORMATION**

Once again, we must emphasise that the base on with the structure sits upon/against must be flat, level, square and secure to ensure installation can be completed. It is the clients responsibility to have a base in place being solid, square (diagonals) and level (by spirit level) - no less than the dimensions stated on this base plan. While also ensuring that;

1. 600mm (2') unobstructed access is provided all around the proposed site, with no trees, branches or similar encroach upon the proposed site or working space.
2. We must have clear external pedestrian access not height or turn limited to allow passage of the product sections or components. Our products are mainly large and sectional that will not fit through a pedestrian door. It's the responsibility of the customer to notify any access concerns at point of order.
3. In the interests of Health & Safety for our employees, or contractors, on delivery our bulky products shall not be lifted over any walls, fences etc, or transited to other floors other than ground level.

Failing to meet any of the above criteria shall incur an aborted installation fee as stated in the terms and conditions.

All sealing of base rails to 'clients base' and wall posts to 'clients wall' to be client's responsibility.

Please read all details and dimensions fully and carefully. Once you agree with them (if unsure please ask), please sign below and return a copy to enable manufacturing to commence. Any subsequent changes will be chargeable and may results in delays.

Signature..... Date.....

PART NUMBER: <b>PH0406CBCW</b>		DESCRIPTION: Classic Planthouse 'Eight' by 6 Panel (2+2+2) - Cedar Base Boards						UNITS: mm
MATERIAL SPECIFICATION:		FINISH SPECIFICATION:		UNSPECIFIED THICKNESS: N/A	THICKNESS TOLERANCE: ± 10%		DRAWN: JG	
PROJECTION: 3rd angle	UNSPECIFIED SCALE: <b>1 : 50</b>	PART REVISION NUMBER: A	SHEET NO: A3	SHEET SIZE: 1/1	AREA: N/A	MASS: N/A	DATE: 24/05/2022	
		<b>UNSPECIFIED TOLERANCES ACCORDING TO ISO 2768-1: M</b>						APPROVED: BRB
		<small>IF IN DOUBT ASK / REMOVE ALL BURRS &amp; SHARP EDGES</small>				THIS DOCUMENT AND THE COPYRIGHT HEREIN ARE THE PROPERTY OF JULIANA GROUP AND MAY NOT BE USED, COPIED OR DISCLOSED TO ANY THIRD PARTY WITHOUT THE WRITTEN CONSENT OF JULIANA GROUP		DATE: 24/05/2022