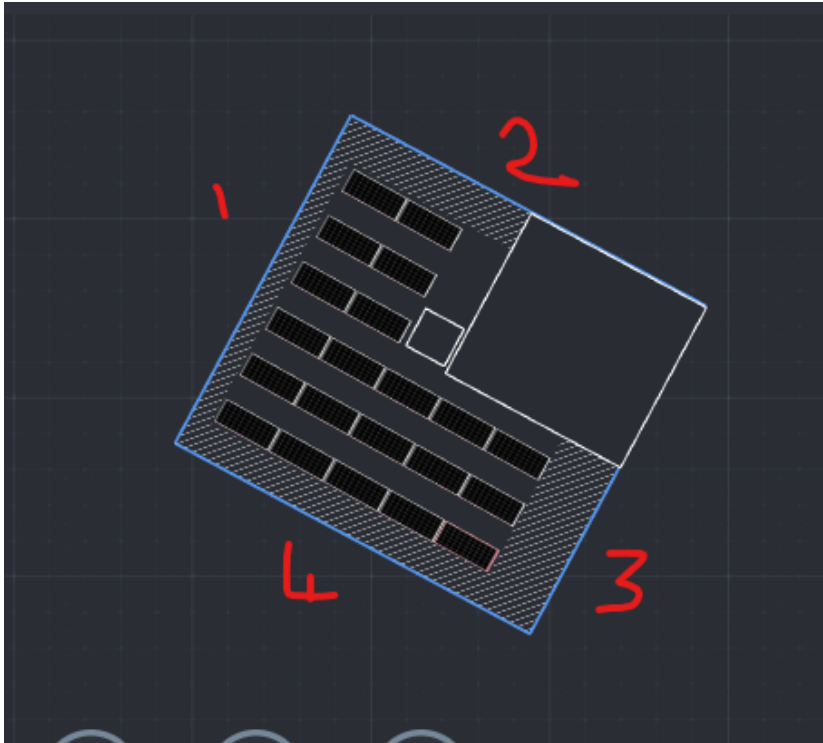


## Plan 1: Array plan on roof

Perimeter measurements from roof edge to panels for each side. 1 = 100cm. 2 = 60cm. 3 = 118cm. 4 = 180cm.

a) CAD image



b) Array on google image of The Control Tower

