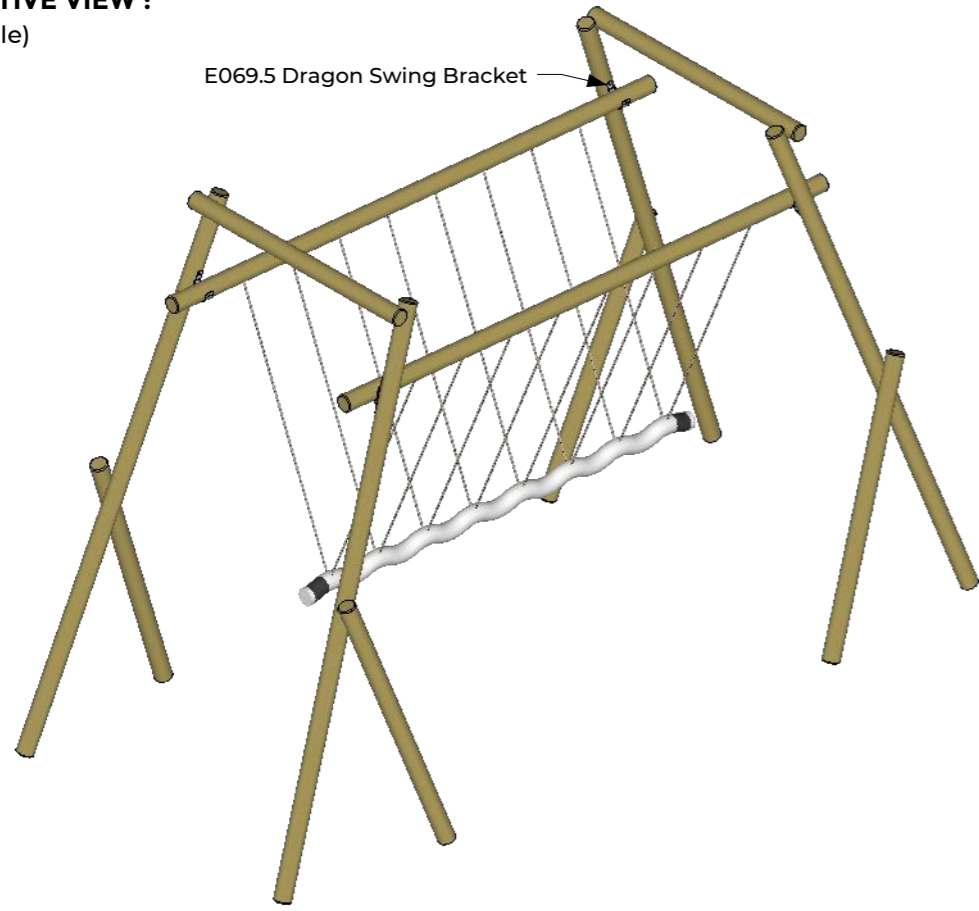
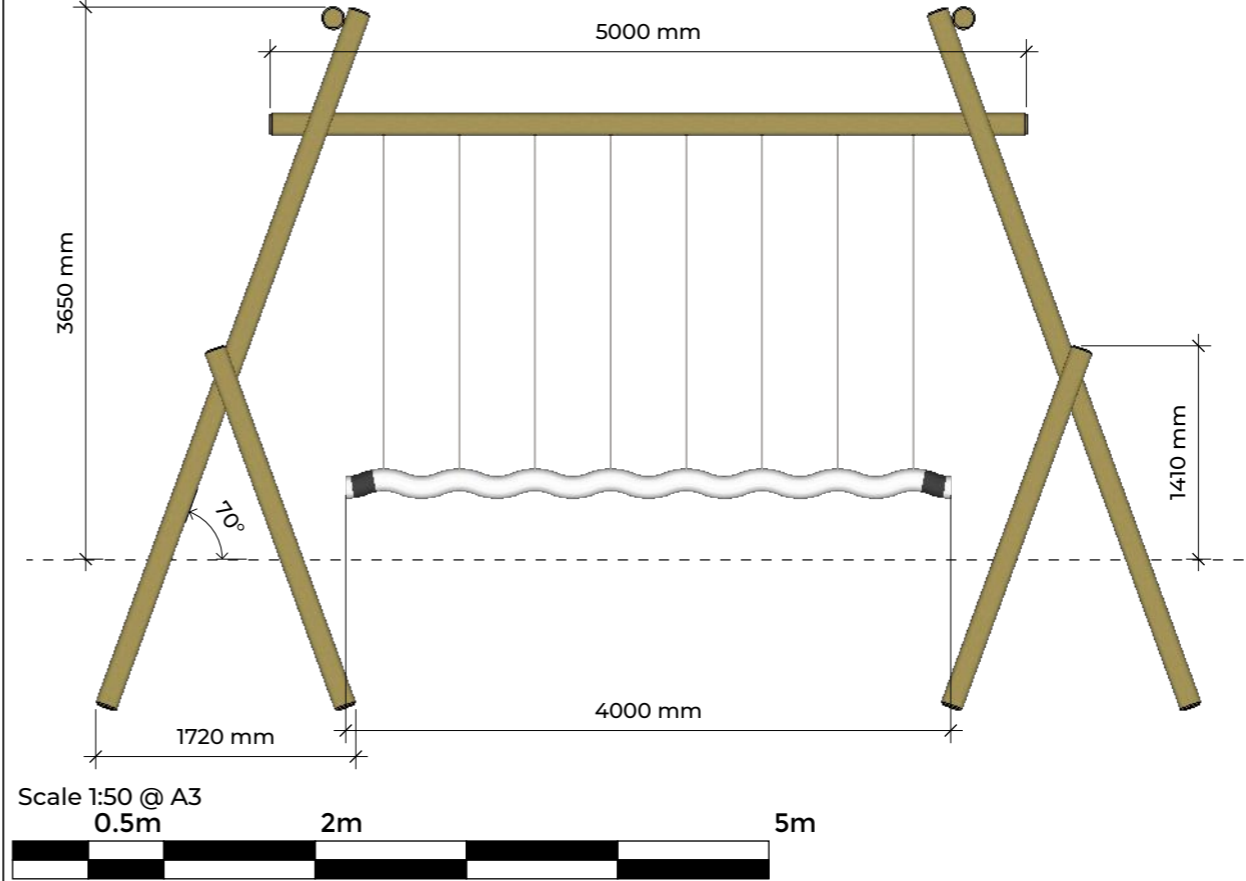


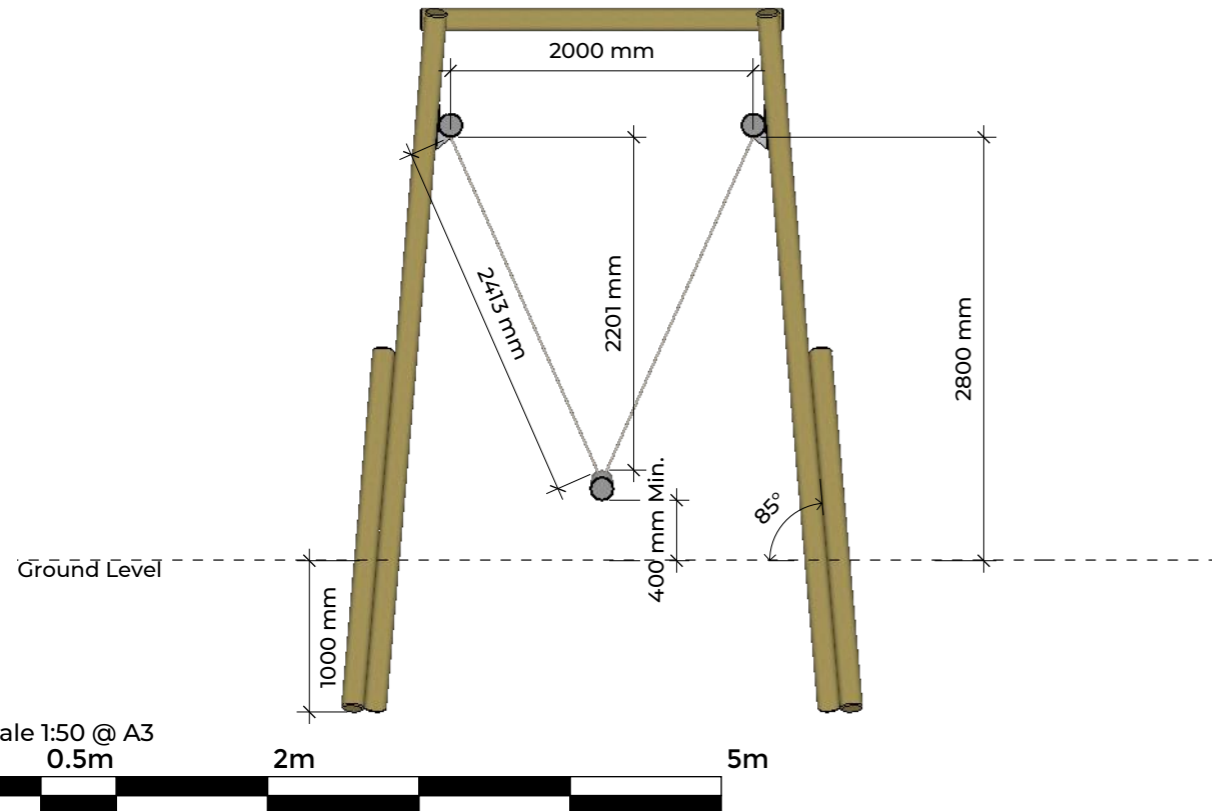
PERSPECTIVE VIEW :
(Not to scale)



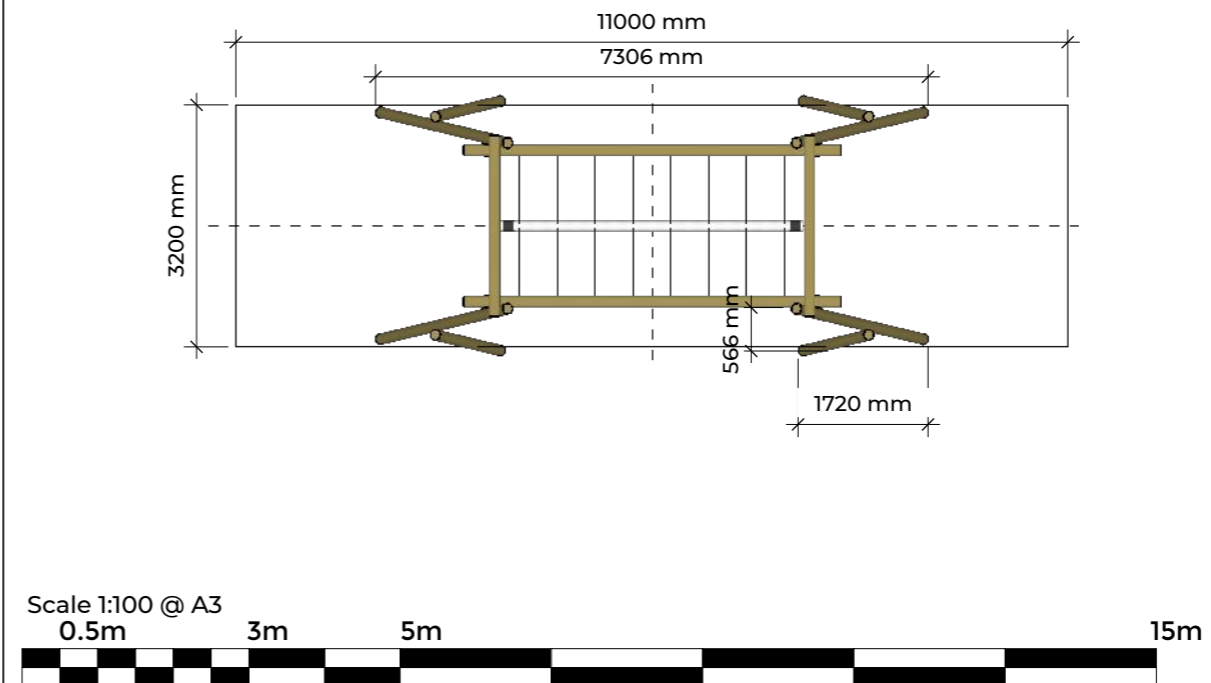
FRONT PROFILE :
Scale 1:50 @ A3



SIDE PROFILE SECTION :
Scale 1:50 @ A3



PLAN PROFILE :
Scale 1:100 @ A3



DRAWING TITLE :
Dragon Swing Details

NOTES :
CFH: 1.7m
Robinia timber hardwood frame

DRAWN BY :
JR
CHECKED BY :
CS
ISSUE :
19/08/2022
RE-ISSUE :
DD/MM/YYYY

DRAWING NUMBER :

REVISION :
0