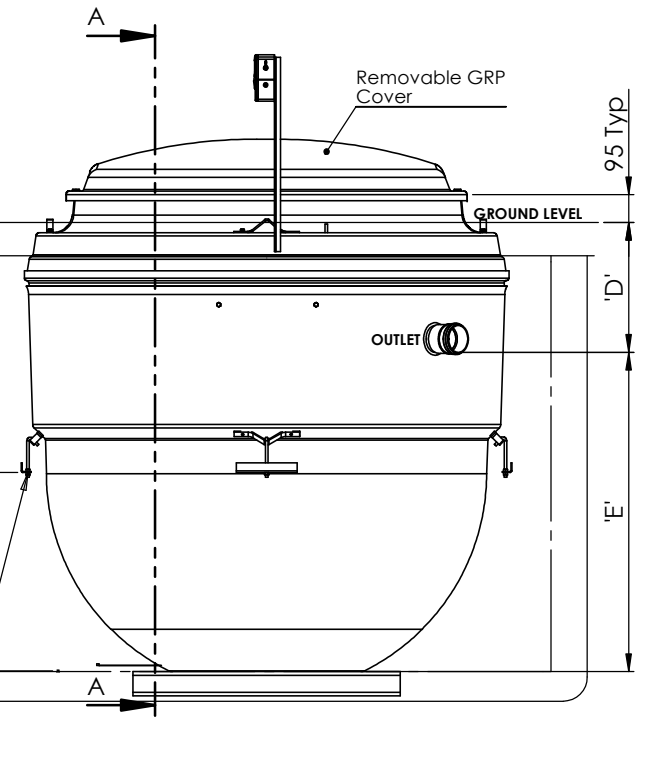
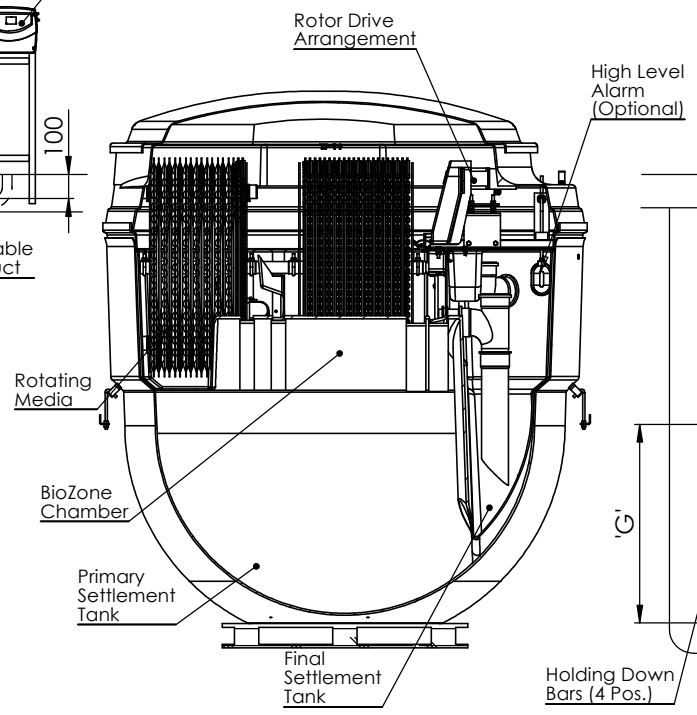
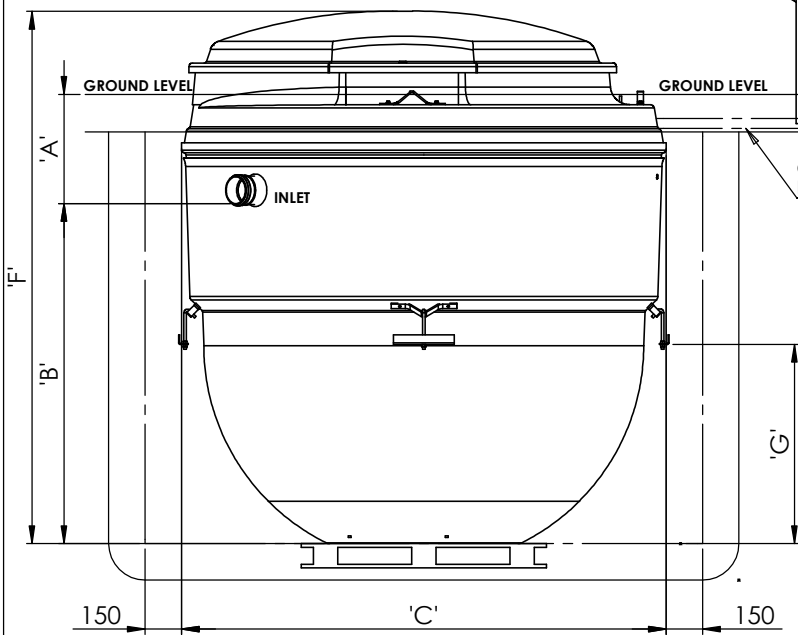
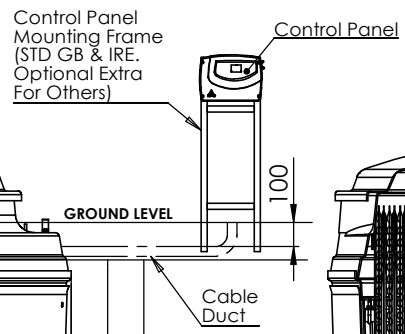
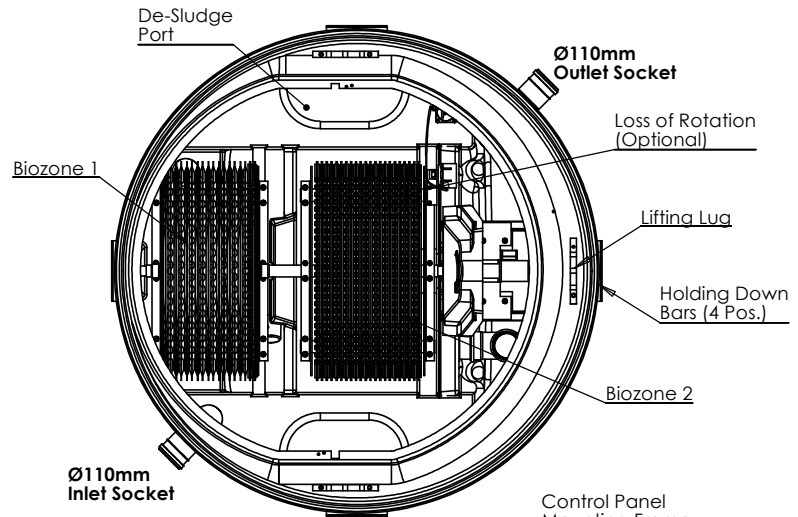


**Notes:**

1. This drawing is for 'Dimensional Information Only'. It is essential that this drawing is read in conjunction with the 'Installation Guidelines' supplied with the unit. (Copies available from our sales department).
2. BioDisc Tank & Cover are manufactured glass reinforced polyester (GRP). Cover is finished in Green to BS4800 Tint 18.B.25
3. For desludging procedure see Maintenance Handbook.
4. Electrical Supply - 240Volts, 2 Amps, Single Phase, Control Panel Supplied.
5. BioDisc must only be lifted by 3 lugs provided.
6. 3 no. Inlet Inverts available - 450mm , 750mm, 1250mm.
7. For Installation, Maintenance & Desludging details refer to 013103 (GL0010P) & 015098 (GL0011P).
8. Cable Duct hole diameter in case to suit conduit to be used.



**SECTION A-A**

| Please check with Kingspan Environmental that this drawing is the latest issue |          |           |             |   |
|--|----------|-----------|-------------|---|
| Issue  | Date     | Drawn by  | Approved by | Description   |
| 05   | 30/10/15 | L.Steward |             | CC1241 - 1.0m Invert Option Included For Europe/ ROW  |
| 04   | 19.08.15 | T.Kelly   |             | CC1259 - Control Panel Mounting Frame Options Updated |

|                        |                 |
|------------------------|-----------------|
| Material : Various     | Tolerance :     |
| Finish :               | Thickness : n/a |
| Weight : 566.42 Kg Kgs | Surface Area :  |

|   |             |
|---|-------------|
| <b>Drawing : DS1146P</b>                | Page 1 of 3 |
| BA-BB-BAX BioDisc Gravity Sales Drawing |             |

|                      |                     |
|----------------------|---------------------|
| All dimensions in mm | Scale: Not to scale |
|----------------------|---------------------|

Kingspan Environmental reserve the right to alter the details of this drawing without prior notice. This drawing is copyright and may not be reproduced or used without the written permission of Kingspan Environmental.



T:\Luke S\Drawings\CC1241\DS1146P

## BA Gravity BioDisc Dimension & Weight Chart (\*\*All Markets\*\*)

| Unit Dimension Chart (Gravity Systems). |                 |                 |                 |                 |                 |                 |                                       |  |
|---|-----------------|-----------------|-----------------|-----------------|-----------------|-----------------|---------------------------------------|--|
| Dim 'A'<br>(mm)                         | Dim 'B'<br>(mm) | Dim 'C'<br>(mm) | Dim 'D'<br>(mm) | Dim 'E'<br>(mm) | Dim 'F'<br>(mm) | Dim 'G'<br>(mm) | Dry Weight<br>(Incl. Pallet)<br>(Kgs) | Full Weight<br>(Exclud. Pallet)<br>(Kgs) |
| 450                                     | 1400            | 1995            | 535             | 1315            | 2160            | 820             | 310                                   | 3290                                     |
| 750                                     | 1400            | 1995            | 835             | 1315            | 2460            | 820             | 325                                   | 3305                                     |
| 1250                                    | 1400            | 1995            | 1335            | 1315            | 2960            | 820             | 380                                   | 3360                                     |

## BAX & BB Gravity BioDisc Dimension & Weight Chart (\*\*All Markets Except France\*\*)

| Unit Dimension Chart (Gravity Systems). |                 |                 |                 |                 |                 |                 |                                       |  |
|---|-----------------|-----------------|-----------------|-----------------|-----------------|-----------------|---------------------------------------|--|
| Dim 'A'<br>(mm)                         | Dim 'B'<br>(mm) | Dim 'C'<br>(mm) | Dim 'D'<br>(mm) | Dim 'E'<br>(mm) | Dim 'F'<br>(mm) | Dim 'G'<br>(mm) | Dry Weight<br>(Incl. Pallet)<br>(Kgs) | Full Weight<br>(Exclud. Pallet)<br>(Kgs) |
| 450                                     | 1400            | 1995            | 535             | 1315            | 2160            | 820             | 335                                   | 3315                                     |
| 750                                     | 1400            | 1995            | 835             | 1315            | 2460            | 820             | 350                                   | 3330                                     |
| 1250                                    | 1400            | 1995            | 1335            | 1315            | 2960            | 820             | 405                                   | 3385                                     |

## BB Gravity BioDisc Dimension & Weight Chart (\*\*France Only\*\*)

| Unit Dimension Chart (Gravity Systems). |                 |                 |                 |                 |                 |                 |                                       |  |
|---|-----------------|-----------------|-----------------|-----------------|-----------------|-----------------|---------------------------------------|--|
| Dim 'A'<br>(mm)                         | Dim 'B'<br>(mm) | Dim 'C'<br>(mm) | Dim 'D'<br>(mm) | Dim 'E'<br>(mm) | Dim 'F'<br>(mm) | Dim 'G'<br>(mm) | Dry Weight<br>(Incl. Pallet)<br>(Kgs) | Full Weight<br>(Exclud. Pallet)<br>(Kgs) |
| 450                                     | 1650            | 1995            | 535             | 1565            | 2410            | 1070            | 355                                   | 3335                                     |
| 750                                     | 1650            | 1995            | 835             | 1565            | 2710            | 1070            | 370                                   | 3350                                     |
| 1250                                    | 1650            | 1995            | 1335            | 1565            | 3210            | 1070            | 425                                   | 3405                                     |

|              |                |   |
|--------------|----------------|---|
| Material :   | Tolerance :    | <b>Drawing : DS1146P</b>                |
| Finish :     | Thickness :    | Page 2 of 3                             |
| Weight : Kgs | Surface Area : | BA-BB-BAX BioDisc Gravity Sales Drawing |

All dimensions in mm

Scale: Not to scale

Kingspan Environmental reserve the right to alter the details of this drawing without prior notice. This drawing is copyright and may not be reproduced or used without the written permission of Kingspan Environmental.



**BA Gravity BioDisc 1.0m Invert Dimension & Weight Chart (\*\*Europe & ROW Only\*\*)**

| Unit Dimension Chart (Gravity Systems). |                 |                 |                 |                 |                 |                 |                                       |  |
|---|-----------------|-----------------|-----------------|-----------------|-----------------|-----------------|---------------------------------------|--|
| Dim 'A'<br>(mm)                         | Dim 'B'<br>(mm) | Dim 'C'<br>(mm) | Dim 'D'<br>(mm) | Dim 'E'<br>(mm) | Dim 'F'<br>(mm) | Dim 'G'<br>(mm) | Dry Weight<br>(Incl. Pallet)<br>(Kgs) | Full Weight<br>(Exclud. Pallet)<br>(Kgs) |
| 1000                                    | 1400            | 1995            | 1085            | 1315            | 2730            | 820             | 345                                   | 3325                                     |

**BB Gravity BioDisc 1.0m Invert Dimension & Weight Chart (\*\*Europe & ROW Only\*\*)**

| Unit Dimension Chart (Gravity Systems). |                 |                 |                 |                 |                 |                 |                                       |  |
|---|-----------------|-----------------|-----------------|-----------------|-----------------|-----------------|---------------------------------------|--|
| Dim 'A'<br>(mm)                         | Dim 'B'<br>(mm) | Dim 'C'<br>(mm) | Dim 'D'<br>(mm) | Dim 'E'<br>(mm) | Dim 'F'<br>(mm) | Dim 'G'<br>(mm) | Dry Weight<br>(Incl. Pallet)<br>(Kgs) | Full Weight<br>(Exclud. Pallet)<br>(Kgs) |
| 1000                                    | 1400            | 1995            | 1085            | 1315            | 2730            | 820             | 373                                   | 3350                                     |

**BB Gravity BioDisc 1.0m Invert Dimension & Weight Chart (\*\*France Only\*\*)**

| Unit Dimension Chart (Gravity Systems). |                 |                 |                 |                 |                 |                 |                                       |  |
|---|-----------------|-----------------|-----------------|-----------------|-----------------|-----------------|---------------------------------------|--|
| Dim 'A'<br>(mm)                         | Dim 'B'<br>(mm) | Dim 'C'<br>(mm) | Dim 'D'<br>(mm) | Dim 'E'<br>(mm) | Dim 'F'<br>(mm) | Dim 'G'<br>(mm) | Dry Weight<br>(Incl. Pallet)<br>(Kgs) | Full Weight<br>(Exclud. Pallet)<br>(Kgs) |
| 1000                                    | 1650            | 1995            | 1085            | 1565            | 2980            | 820             | 373                                   | 3350                                     |

|              |                |  |
|--------------|----------------|--|
| Material :   | Tolerance :    | Drawing : DS1146P <span style="float:right">Page 3 of 3</span> |
| Finish :     | Thickness :    |  |
| Weight : Kgs | Surface Area : |  |

BA-BB-BAX BioDisc Gravity Sales Drawing

All dimensions in mm

Scale: Not to scale

Kingspan Environmental reserve the right to alter the details of this drawing without prior notice. This drawing is copyright and may not be reproduced or used without the written permission of Kingspan Environmental.

