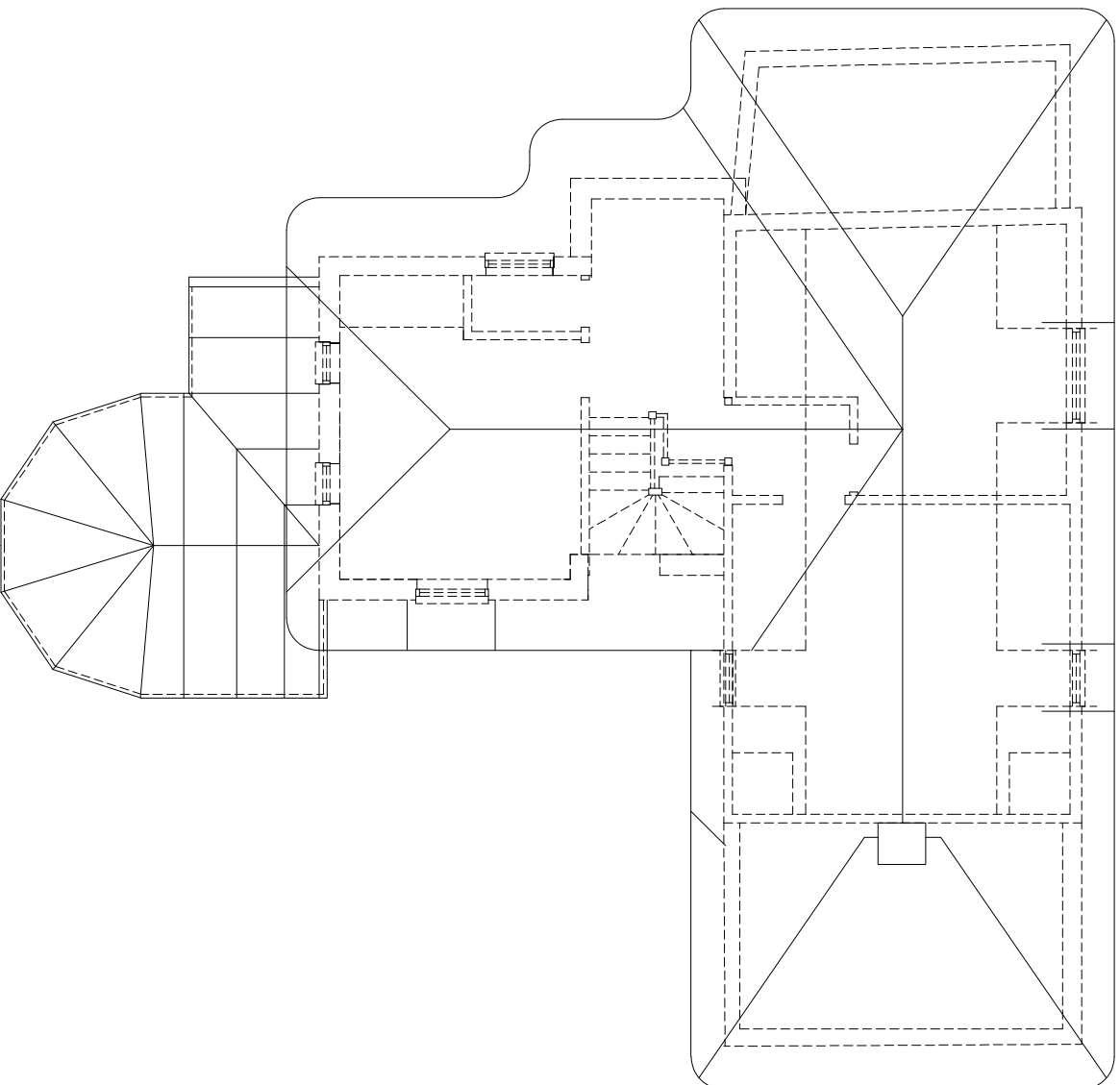
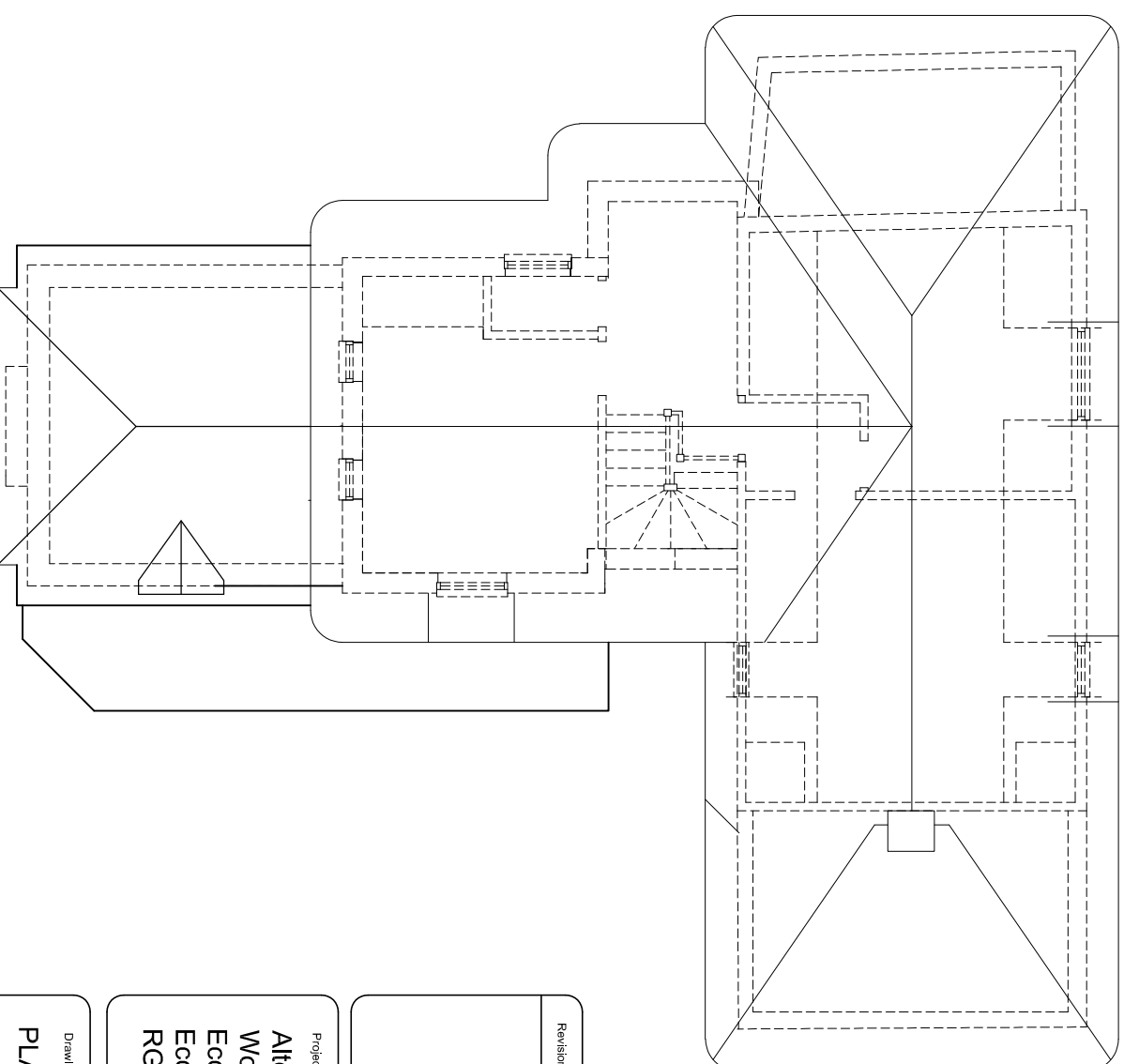


PLANNING
Do not scale from this drawing unless for Planning purposes.
Written dimensions only shall be taken from this drawing.
CONSTRUCTION
All dimensions must be checked on site by the Contractor prior to the commencement of any fabrication or building works on site and where applicable, all dimensions and details are to be read in conjunction with the relevant specification and details. All dimensions and details to be brought to the attention of the client prior to the commencement of any fabrication or building works.
This drawing is the property of Richard Davey and may not be reproduced without permission.



EXISTING ROOF PLAN. 1:100.



PROPOSED ROOF PLAN. 1:100.

Revision	Date	Description

Project Title
**Alterations and extension to
Woodley Cottage
Ecchinswell Road
Ecchinswell
RG20 4UB**

Drawing Title
PLANNING :
Existing and Proposed roof plans

Date
Sept 22
Scale
1:100@A3
Drawn
RAD
Checked

Drawing No
3000-P06

RICHARD DAVEY
29 Bevelley Close, Thatcham, RG18 3AE
tel : 0777 336 2822
email: richard.davey.design@gmail.com

