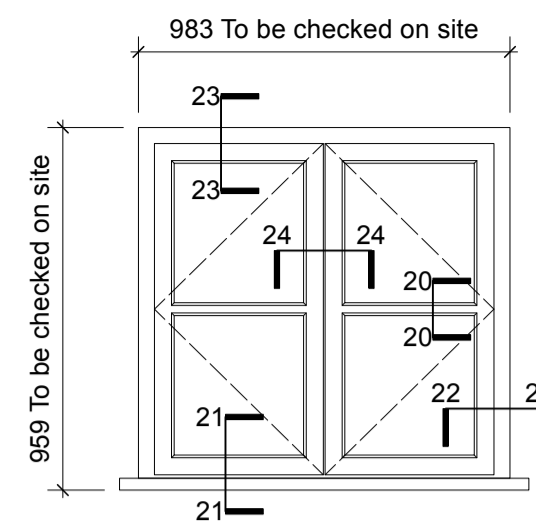
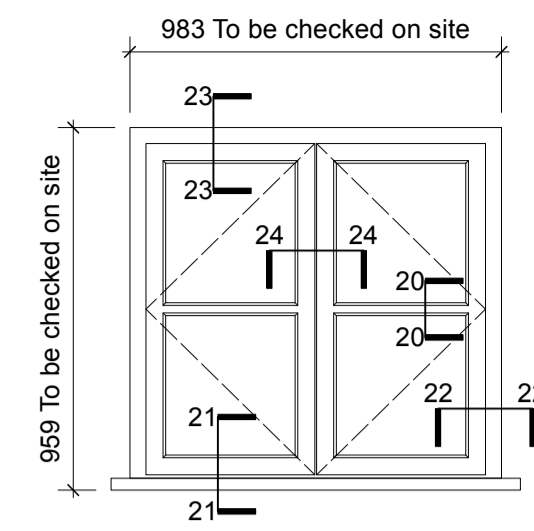


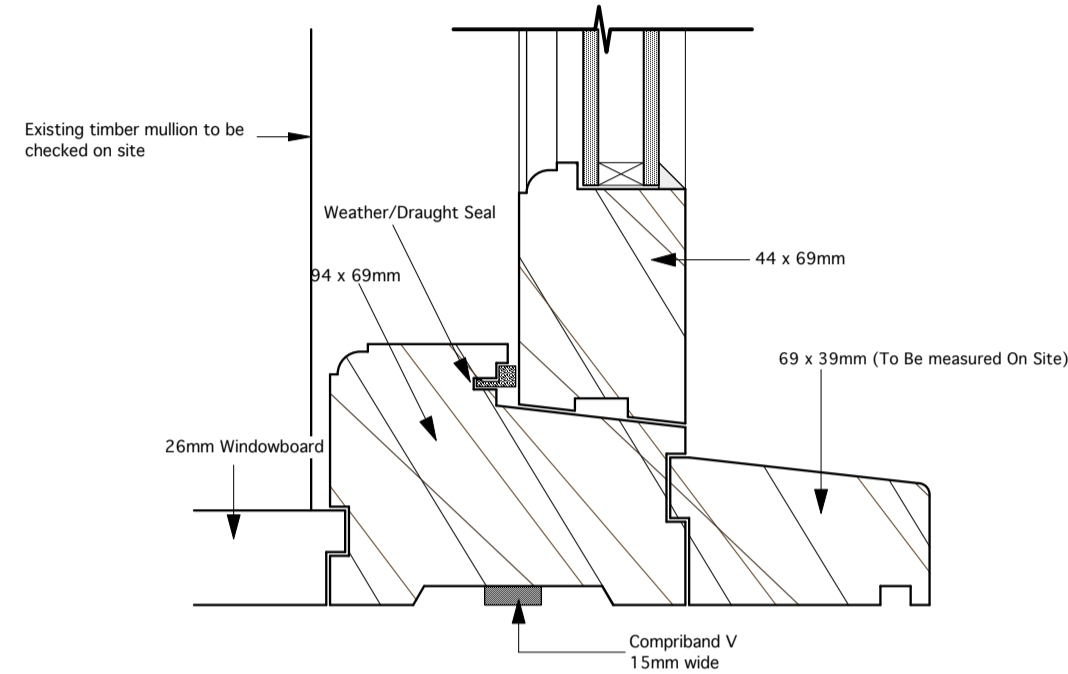
WGO4 (Slimlite Flush)  
Scale 1:20



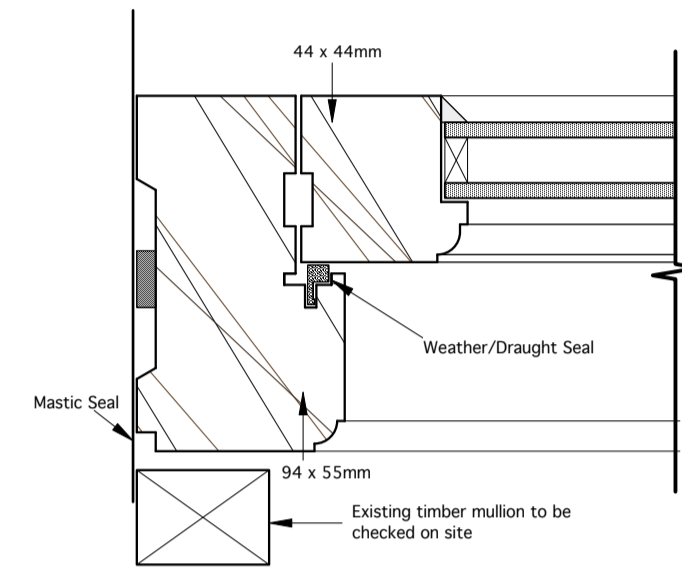
WF-01 (Slimlite Flush)  
Scale 1:20



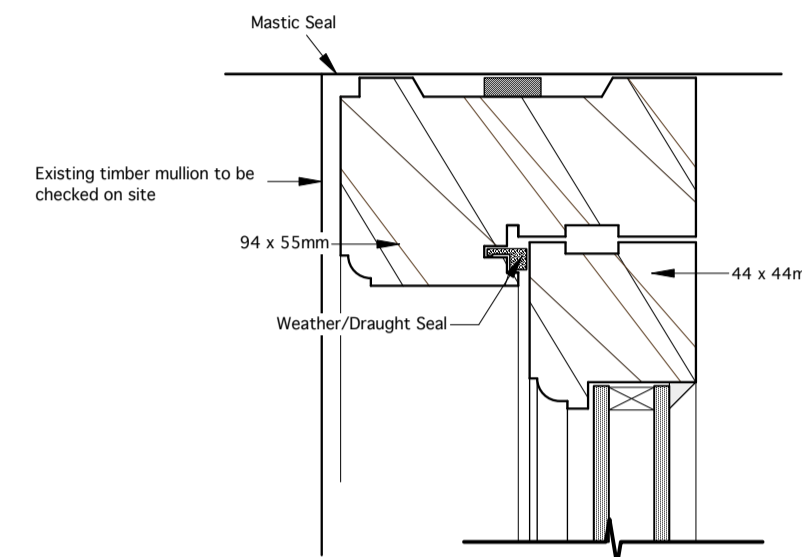
WF-02 (Slimlite Flush)  
Scale 1:20



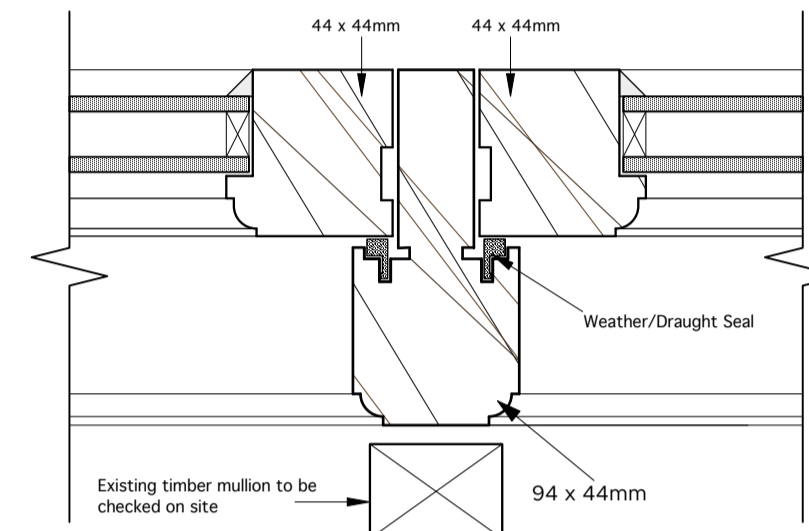
16 - 16 Window Cill Detail 1:2



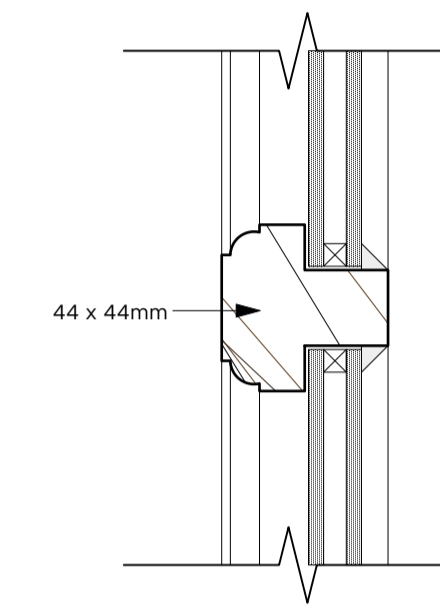
17 - 17 Window Jamb Detail 1:2



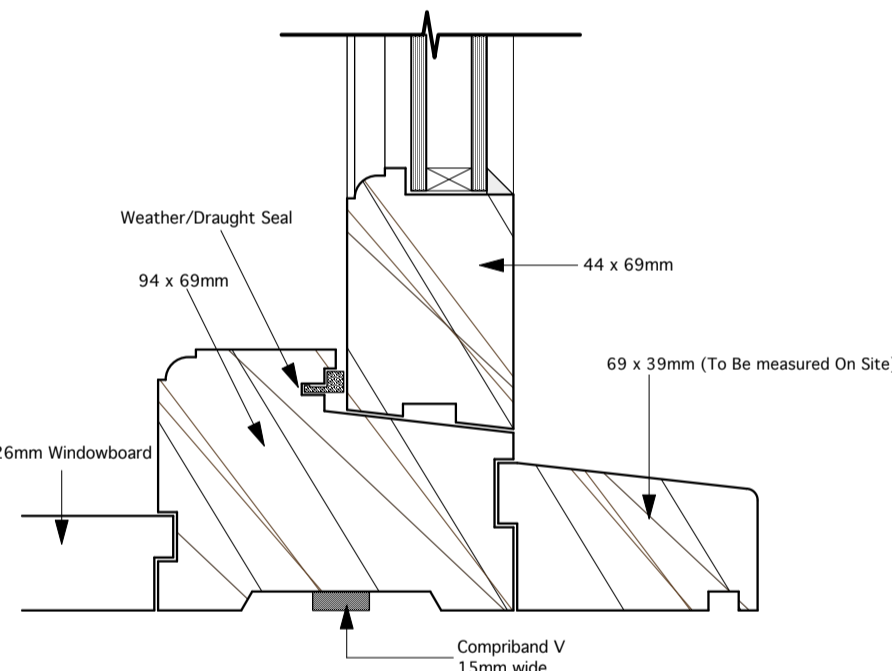
18 - 18 Window Head Detail 1:2



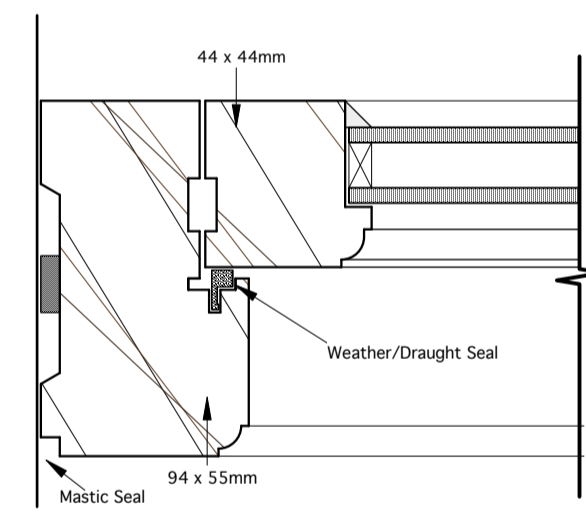
19 - 19 Window Detail 1:2



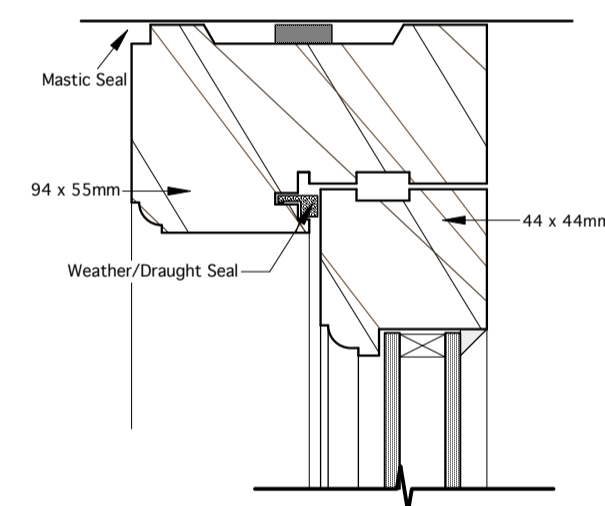
20 - 20 Window Mullion Detail 1:2



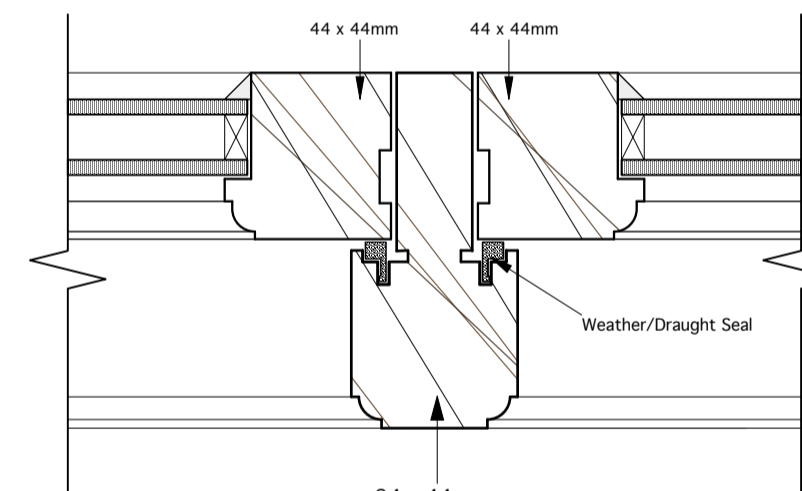
21 - 21 Window Cill Detail 1:2



22 - 22 Window Jamb Detail 1:2



23 - 23 Window Head Detail 1:2



24 - 24 Window Detail 1:2

\* Indicates Safety glazing in accordance with Building Regulations Approved Document Part K (2013 edition), NHBC Standards and BS 6206.

NOTES

1. ALL WORKMANSHIP SHALL BE IN ACCORDANCE WITH BS8000.
2. THIS DRAWING TO BE READ IN CONJUNCTION WITH THE ARCHITECTS BUILDING REGULATIONS & CONSTRUCTION NOTES DOCUMENT.
3. THIS DRAWING TO BE READ IN CONJUNCTION WITH THE STRUCTURAL ENGINEERS DRAWINGS, DETAILS AND CALCULATIONS.
4. THIS DRAWING TO BE READ IN CONJUNCTION WITH THE CIVIL ENGINEERS DRAWINGS, DETAILS AND CALCULATIONS.
5. ALL DIMENSIONS TO BE CHECKED BY THE MAIN CONTRACTOR AND ANY DISCREPANCIES REGARDING THIS OR OTHERWISE ARE TO BE REPORTED TO THE ARCHITECT.
6. ALL DIMENSIONS ARE TO STRUCTURE ONLY AND DO NOT TAKE INTO ACCOUNT FINISHES SUCH AS PLASTER OR TILES.
7. MAIN CONTRACTOR IS TO OBTAIN ALL RELEVANT AUTHORITY APPROVALS AND CONSENTS WITH REGARDS TO SERVICES AND BUILDING REGULATIONS INSPECTIONS, ETC.

CONTRACTOR TO SUPPLY THE FOLLOWING:

- CONTRACTOR TO INFORM SAP ASSESSOR OF ANY CHANGES IN THE CONSTRUCTION DESIGN / MATERIALS, SO TO ENABLE FINAL AS BUILT SAP CALCULATION TO BE PROVIDED PRIOR TO COMPLETION OF THE PROJECT.

**IMPORTANT NOTE:** ANY DEVIATION TO THE SPECIFICATION IN RELATION TO THE ELEMENT'S THERMAL PROPERTIES ARE TO BE DISCUSSED AND CONFIRMED WITH THE ENERGY ASSESSOR PRIOR TO IMPLEMENTATION. ANY UNAUTHORISED DEVIATION MAY RESULT IN FAILURE OF THE 'AS BUILT' DWELLING EMISSION RATE, (DER), IN THIS INSTANCE A COMPLETION CERTIFICATE WOULD NOT BE ABLE TO BE ISSUED.

- CONTRACTOR TO ALLOW FOR A CHECKLIST THAT WILL BE PROVIDED BY A "SUITABLY QUALIFIED PERSON" TO BE PROVIDED ON COMPLETION OF THE WORKS TO CONFIRM COMPLIANCE WITH THE MEASURES IN ADL1.

- CONTRACTOR TO ALLOW FOR ALL COMMISSIONING INFORMATION FOR THE BUILDING SERVICES AND THEIR ECONOMY IN USE TO BE PROVIDED AT THE COMPLETION OF THE WORKS.



REVISION	DESCRIPTION	DATE	DRAWN	CHECK

5773 60\_03

TITLE WINDOW AND DOOR SCHEDULE SHEET 2

SCALE AS NOTED SHEET SIZE A1

ISSUE DATE August 2022

AUTHOR TL CHECK SC

PROJECT Proposed Alterations and Extensions to Rookery Farm, Daisy Green, Great Ashfield, Bury St Edmunds

CLIENT Mr. & Mrs. Chapman

STATUS BUILDING REGULATION ISSUE



Market Place / Hadleigh / Ipswich / Suffolk / IP7 5DN  
T / 01473 827992 E enquiries@wkc-architects.co.uk  
Do not scale from drawing, work to figured dimensions only.  
Copyright © Wincer Kievenaar Architects Limited  
5773\_Door and Window Schedule.vwx