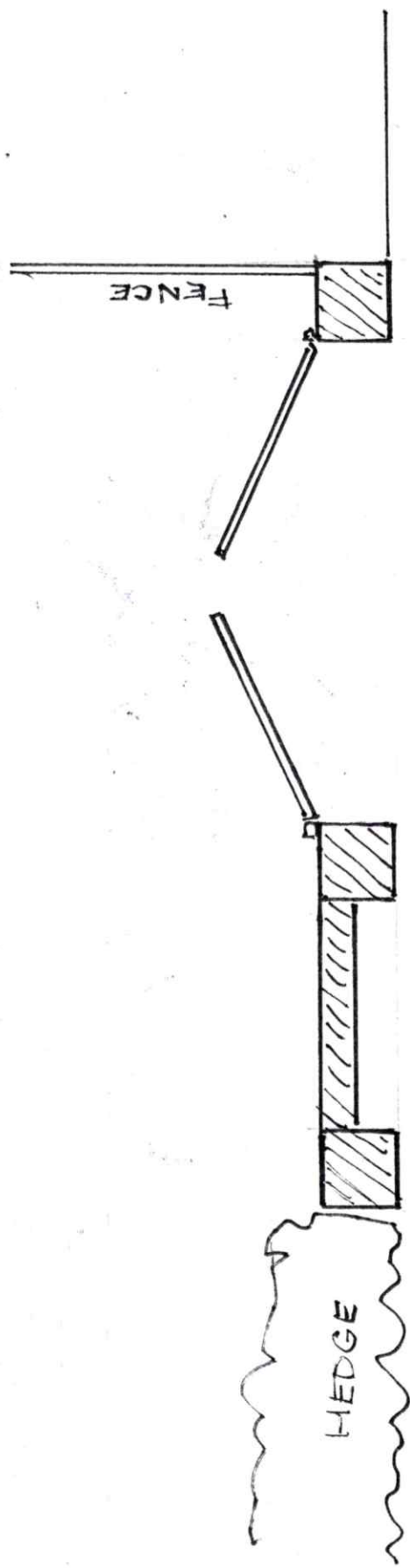


proposed access gates



pavement



existing dropped kerb

slip road

1:50 @ A3

1 WARRINGTON ROAD  
ACTON BRIDGE