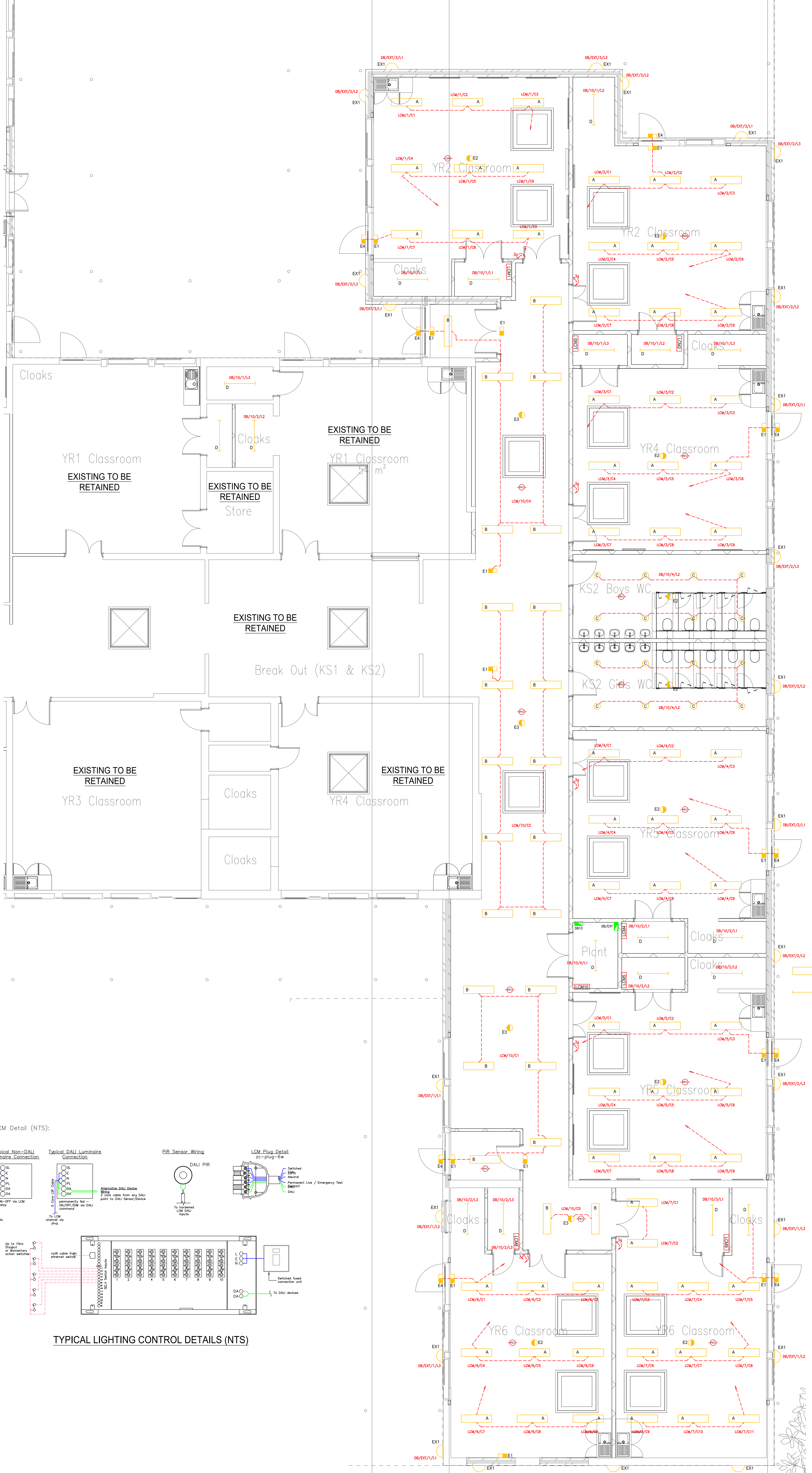
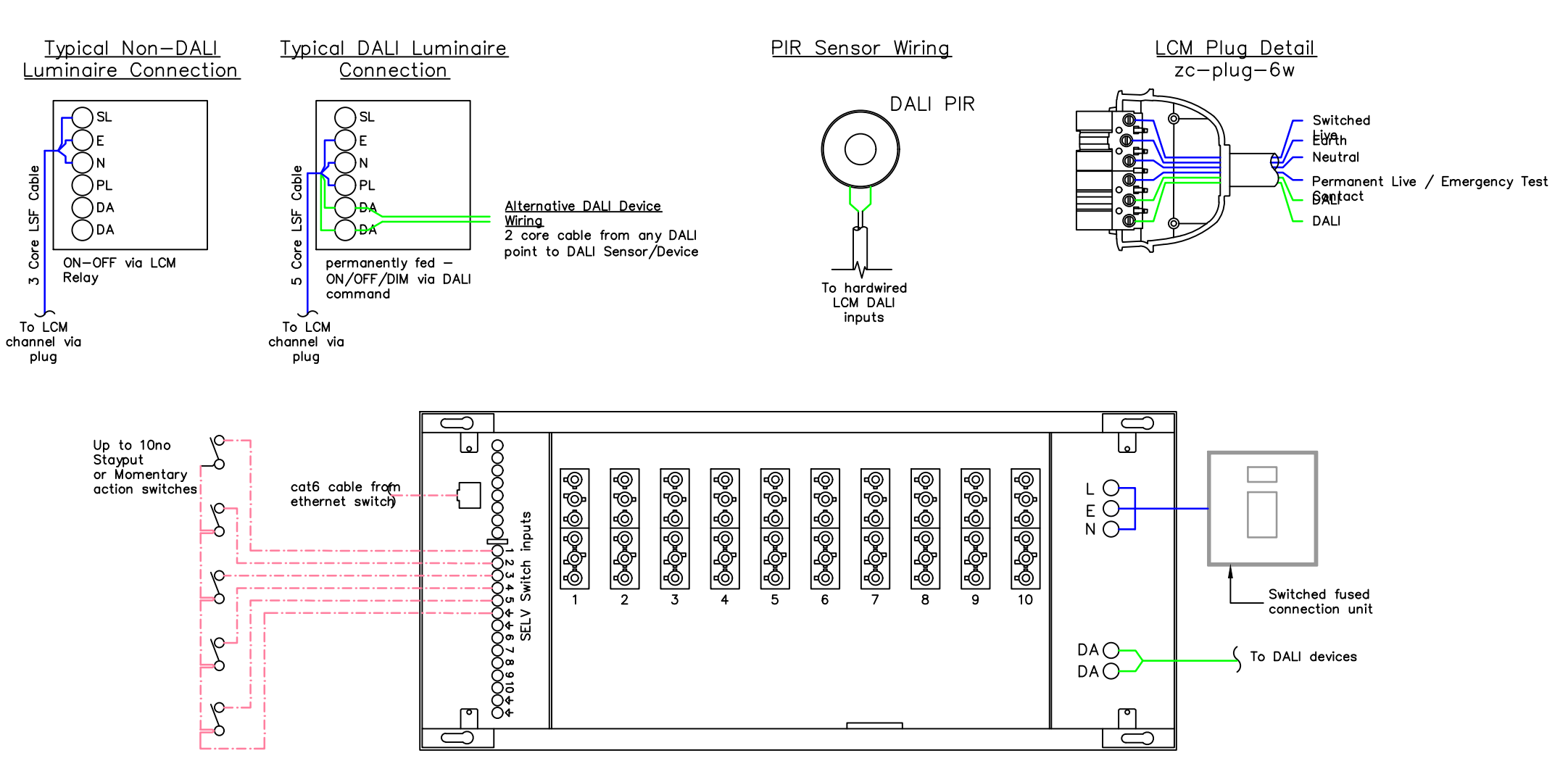


Rev.	Description	Date
PR2	UPDATED TO ARCHITECTS LATEST LAYOUT.	JUL 21
PR3	ISSUED FOR TENDER.	JUL 21
PR4	UPDATED TO ARCHITECTS LATEST LAYOUT. EXTERNAL & EMERGENCY LIGHTING UPDATED. CIRCUIT REFERENCES UPDATED.	OCT 21
PR5	UPDATED TO ARCHITECTS LATEST LAYOUT.	DEC 21
PR6	UPDATED TO CONTRACT ISSUE.	JUN 22



- LEGEND**
- 1200x300mm RECESSED LED LUMINAIRE.
 - CEILING RECESSED LED DOWNLIGHT.
 - SURFACE MOUNTED 1200mm LONG LED BATTEN.
 - RECESSED LED EMERGENCY LIGHT 3 HOUR NON MAINTAINED.
 - SURFACE MOUNTED CIRCULAR LED BULKHEAD RATED TO IP65.
 - SURFACE MOUNTED LED WALL LIGHT RATED TO IP65.
 - CEILING MOUNTED NON MAINTAINED LED EXIT SIGN WITH RUNNING MAN LEGEND.
 - LIGHTING CONTROL MODULE.
- LCM REFERENCE**
- DENOTES LCM REFERENCE.
 - DENOTES CHANNEL NUMBER.
- NOTES**
1. WAY SWITCH. g DENOTES No. OF GANGS
 2. WAY SWITCH. g DENOTES No. OF GANGS
 3. POINT RETRACTIVE SWITCH. g DENOTES No. OF GANGS.
 4. COMBINED PIR & PHOTOCELL FOR DAYLIGHT DIMMING & LUX LEVEL CONTROL.
 5. PHOTOCELL.
 6. PIR DETECTOR.
 7. DENOTES WEATHERPROOF DEVICE.
- NOTES**
1. FOR LUMINAIRE DETAILS SEE LUMINAIRE SCHEDULE.
 2. FOR CIRCUIT CABLE DETAILS REFER TO DISTRIBUTION BOARD SCHEDULES.
 3. LIGHTING CONTROL MODULES TO BE COORDINATED & MOUNTED IN A POSITION OPTIMAL FOR CABLE DISTRIBUTION.
 4. LIGHTING CONTROL MODULES TO BE NETWORKED FOR COMPLETE CONTROL.

DALI LCM Detail (NTS):



TYPICAL LIGHTING CONTROL DETAILS (NTS)

Client	Solihull METROPOLITAN BOROUGH COUNCIL
Project	CHESWICK GREEN PRIMARY SCHOOL
Architect	BUILDING DESIGN GROUP
Drawing Title	LIGHTING & EMERGENCY LIGHTING SHEET 2
Scale	1:50 @ A0
Date	JUN 21
Purpose of Issue	CONTRACT ISSUE
Drawing No.	17011-FAA-ZZ-GF-DR-E-1004-A5
Rev	P06
Faarup Associates Building Services Consultants The Old Stables, Friars Alley, Lichfield, Staffs WS13 6PW Telephone Lichfield (01543) 411420 Email: admin@faarup.co.uk	

17011-FAA-ZZ-GF-DR-E-1003

DO NOT SCALE