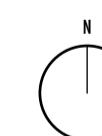
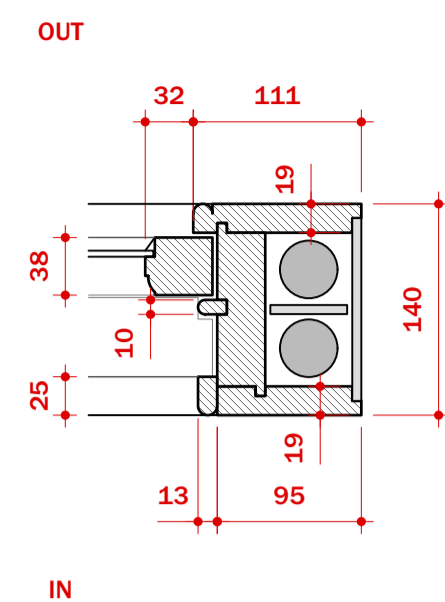


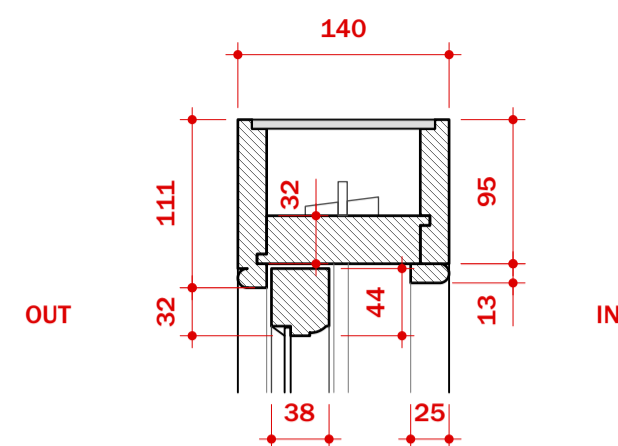
**NOT FOR
CONSTRUCTION**



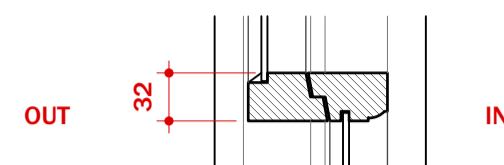
JOINERY DETAILS



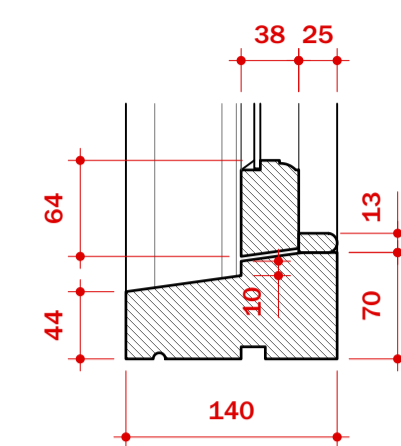
1 SASH JAMB
1:5



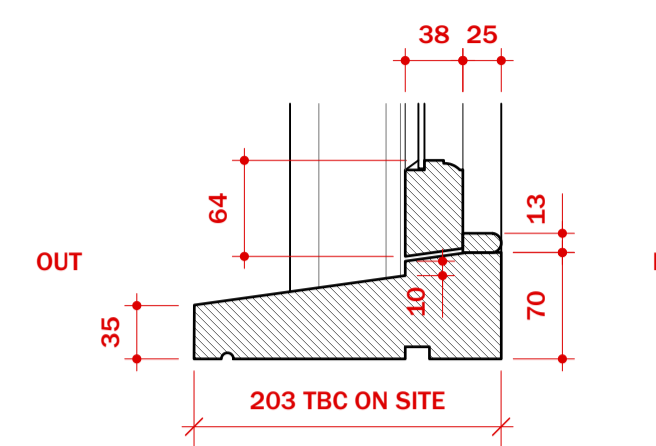
2 SASH HEAD
1:5



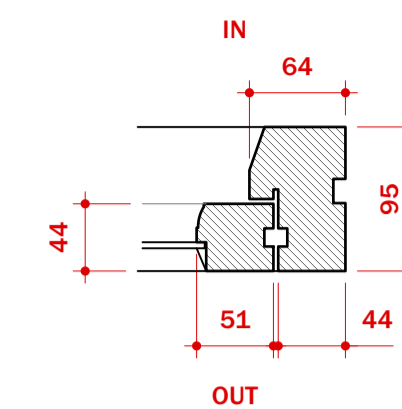
3 SASH MEETING RAIL
1:5



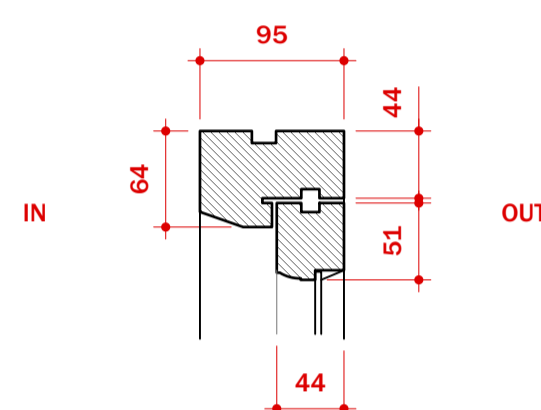
4 SASH STUB CILL
1:5



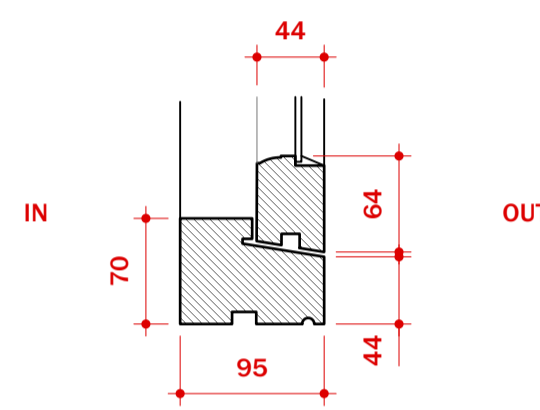
5 SASH EXTENDED CILL
1:5



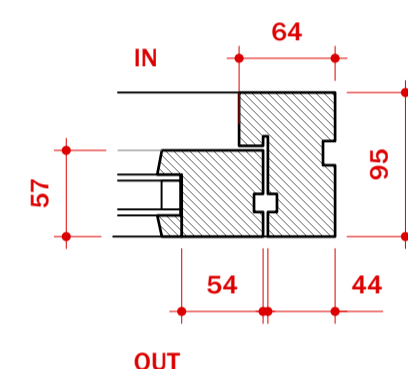
6 S.G. FLUSH CASEMENT, JAMB
1:5



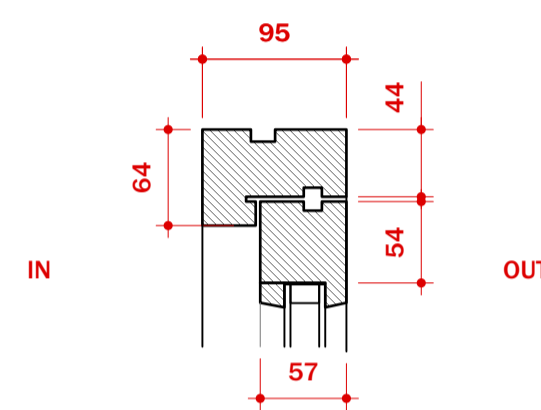
7 S.G. FLUSH CASEMENT, HEAD
1:5



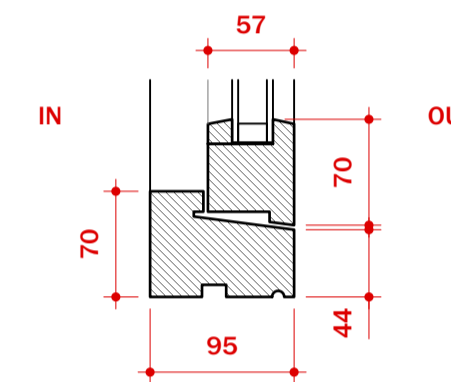
8 S.G. FLUSH CASEMENT, CILL
1:5



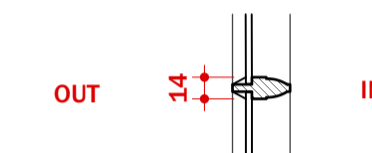
9 D.G. FLUSH CASEMENT, JAMB
1:5



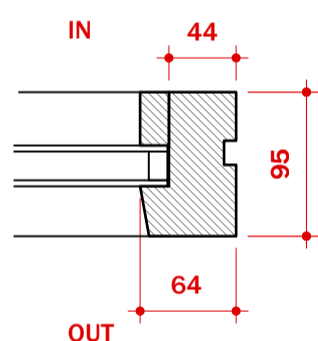
10 D.G. FLUSH CASEMENT, HEAD
1:5



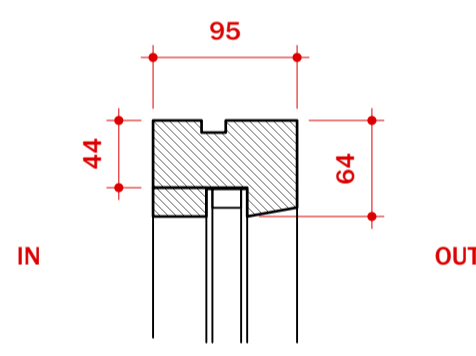
11 D.G. FLUSH CASEMENT, CILL
1:5



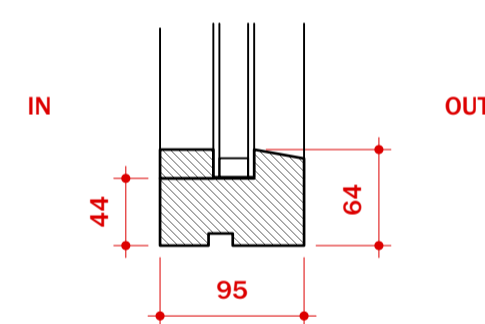
12 GLAZING BAR, TYP.
1:5



13 FIXED LIGHT, JAMB
1:5



14 FIXED LIGHT, HEAD
1:5



15 FIXED LIGHT CILL
1:5