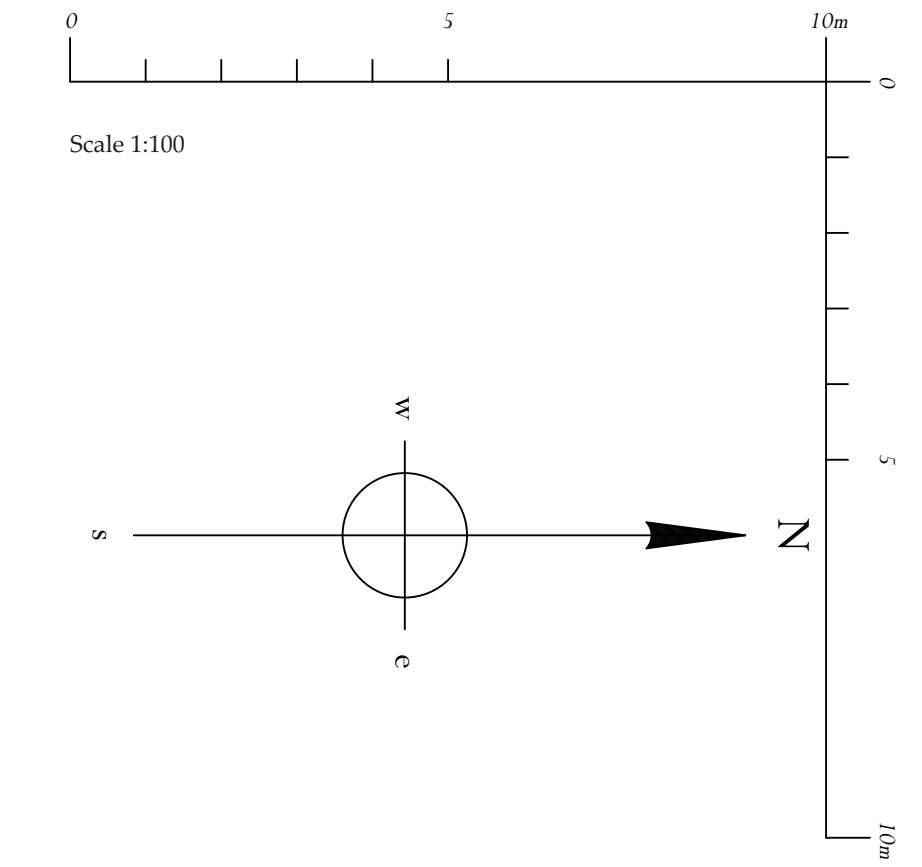
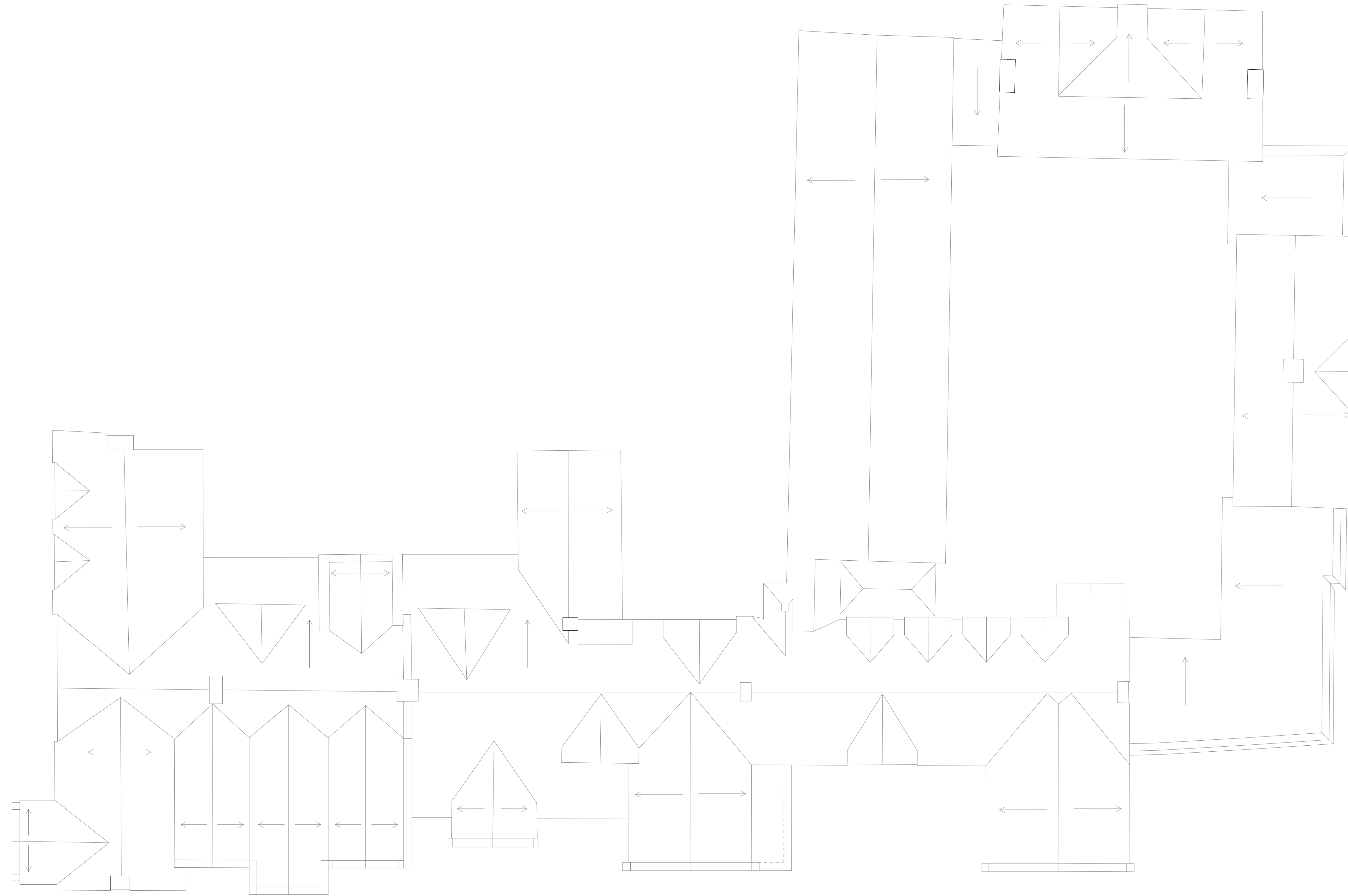


Adjacent Properties and Boundaries are shown for illustrative purposes only and have not been surveyed unless otherwise stated.
 All areas shown are approximate and should be verified before forming the basis of a decision.
 Do not scale other than for Planning Application purposes.
 All dimensions must be checked by the contractor before commencing work on site.
 No deviation from this drawing will be permitted without the prior written consent of the Architect.
 The copyright of this drawing remains with the Architect and may not be reproduced in any form without prior written consent.
 Ground Floor Slabs, Foundations, Sub-Structures, etc. All work below ground level is shown provisionally. Inspection of ground condition is essential prior to work commencing.
 Reassessment is essential when the ground conditions are apparent, and redesign may be necessary in the light of soil conditions found. The responsibility for establishing the soil and sub-soil conditions rests with the contractor.



PLANNING AND LISTED BUILDING
 CONSENT APPLICATION



EXISTING ROOF PLAN

Rev	Date	Description	Initials
PROJECT		Rossley Manor, Cheltenham Alterations & Extension	
TITLE:		Existing Roof Plan	
SCALE:		1:100, 1:50 @ A1	
DATE:		June 2022	
DRAWING No:		6352 / PL 06	
DRAWN BY:			

ADAM ARCHITECTURE

OLD HYDE HOUSE, 75 HYDE STREET
 WINCHESTER, HANTS, SO23 7DW, TEL. 01962 845843

WEST WING, SOMERSET HOUSE, STRAND
 LONDON, WC2R 1LA, TEL. 020 7841 0140

www.adamarchitecture.com contact@adamarchitecture.com