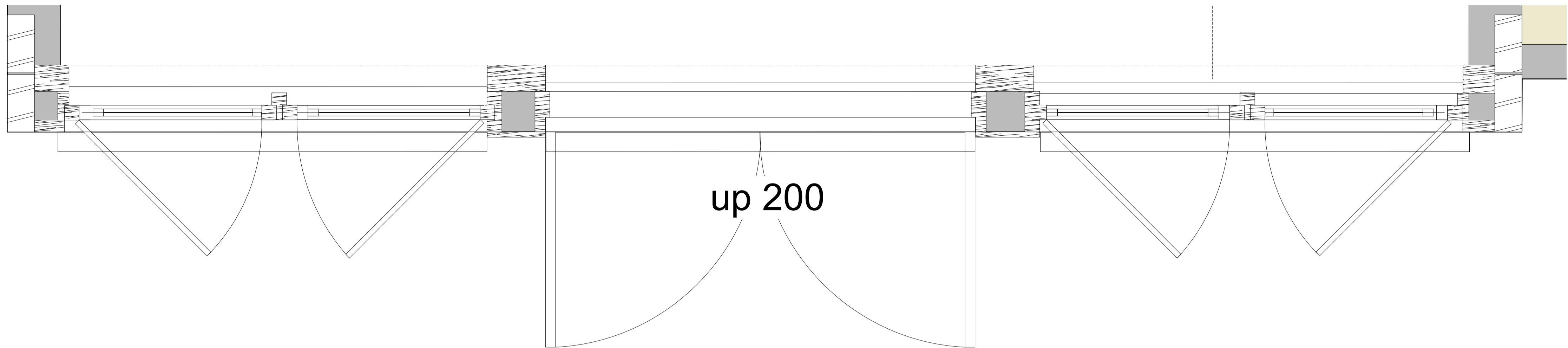
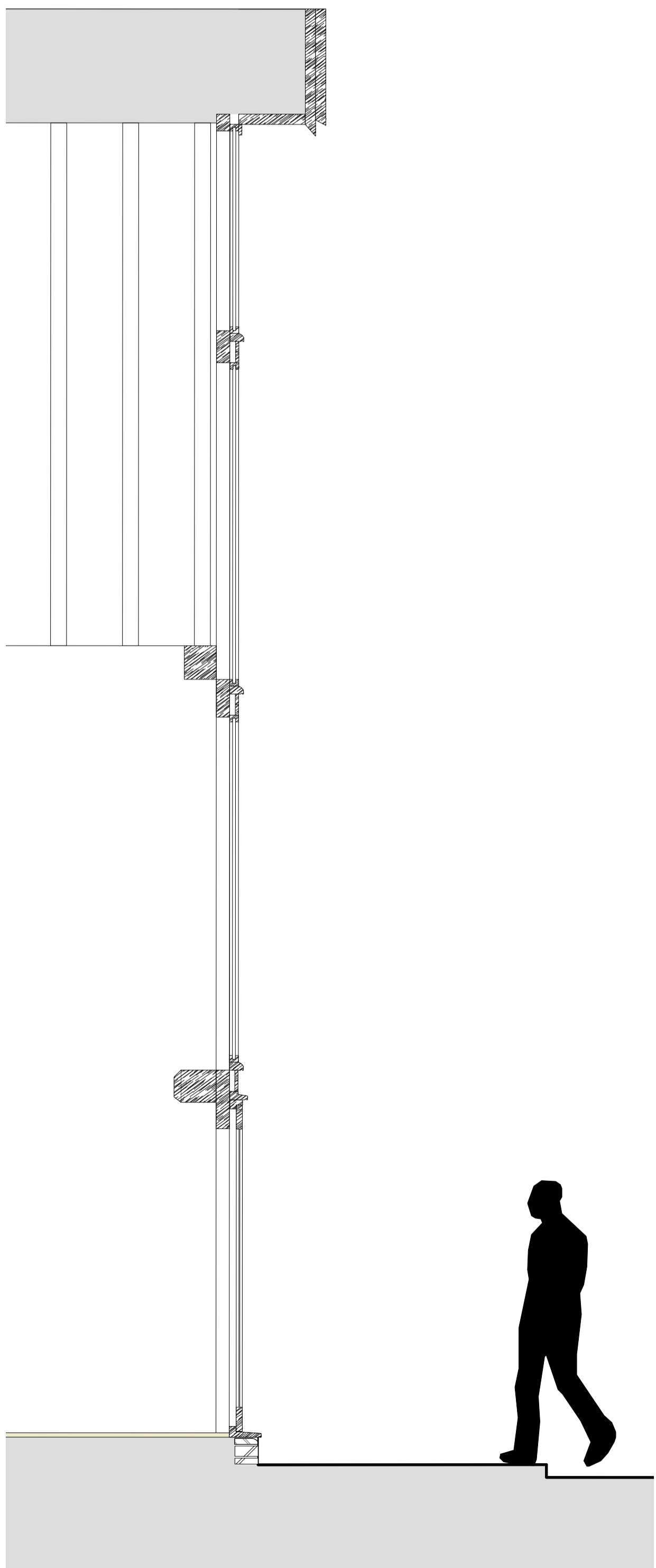


General Notes
 1. Do not scale this drawing. All dimensions to be as noted. Contractor to check all dimensions on site before carry out works.
 2. This drawing is for the private and confidential use of the client for whom it was undertaken and it should not be reproduced in whole or in part or relied upon by third parties for any use without the express written authority of Beech Architects Limited.



GLAZED SCREEN DETAIL PLAN 1:10



GLAZED SCREEN DETAIL SECTION 1:25



GLAZED SCREEN DETAIL ELEVATION 1:25

<p>Rev</p> <p>Beech ARCHITECTS Church Farm Barn The Street Thornston Suffolk IP23 7JR www.beecharchitects.com enquiries@beecharchitects.com t 01379 678442</p>			
<p>CLIENT Mike Dellavedova</p>			
<p>PROJECT Grove Farm, Monk Soham, Woodbridge IP13 7EL</p>			
<p>DRAWING Existing Window Details</p>			
SCALE 1:20 & 1:10 @ A1	DATE April 2022	DRAWN BY	CHECKED
DRAWING NUMBER 05	JOB NUMBER 644	STATUS Not For Construction	REV

This drawing is copyright and remains the property of Beech Architects Ltd. Original size A1. Scale shown will be incorrect if reproduced in any other format. All dimensions to be checked on site.