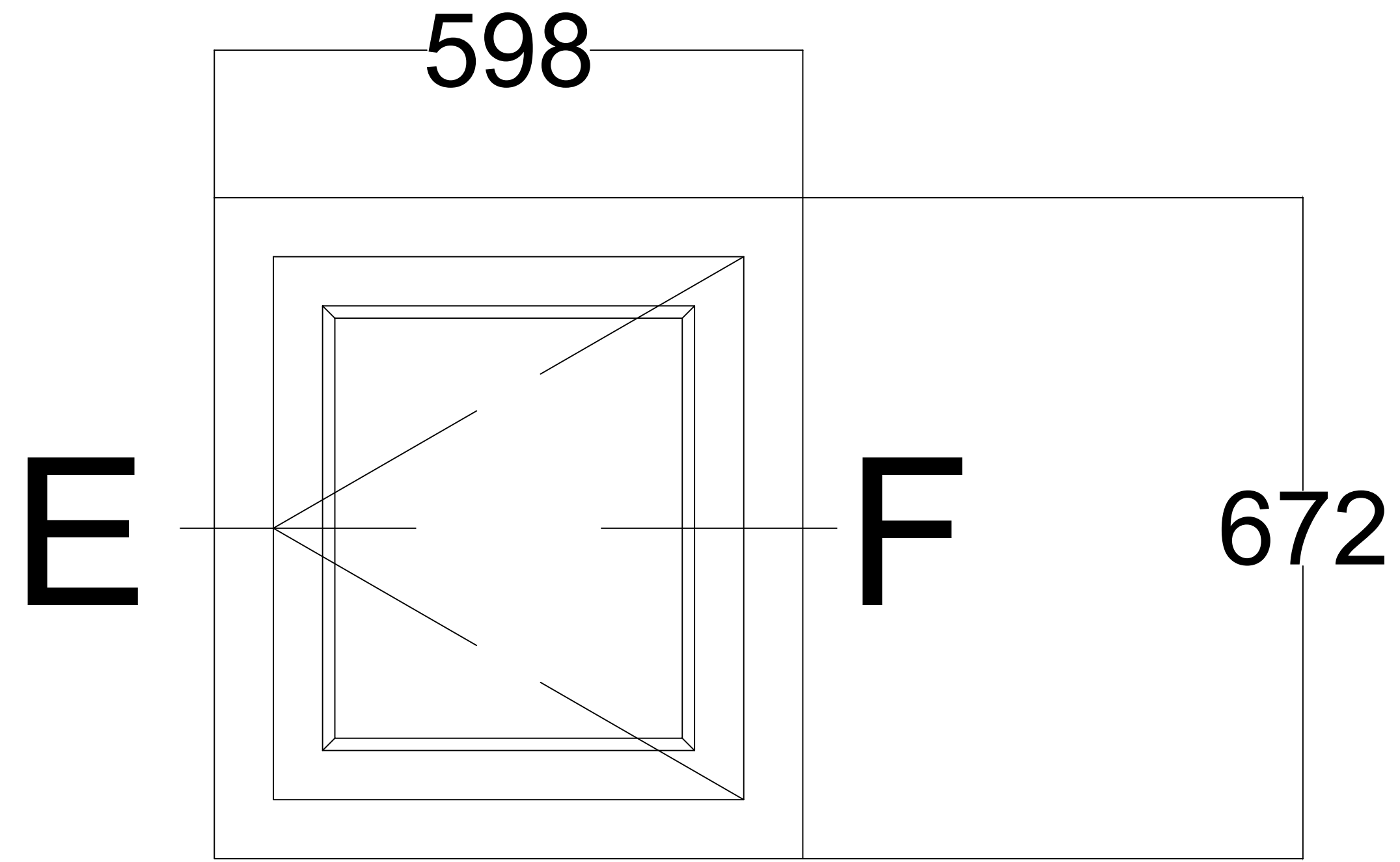
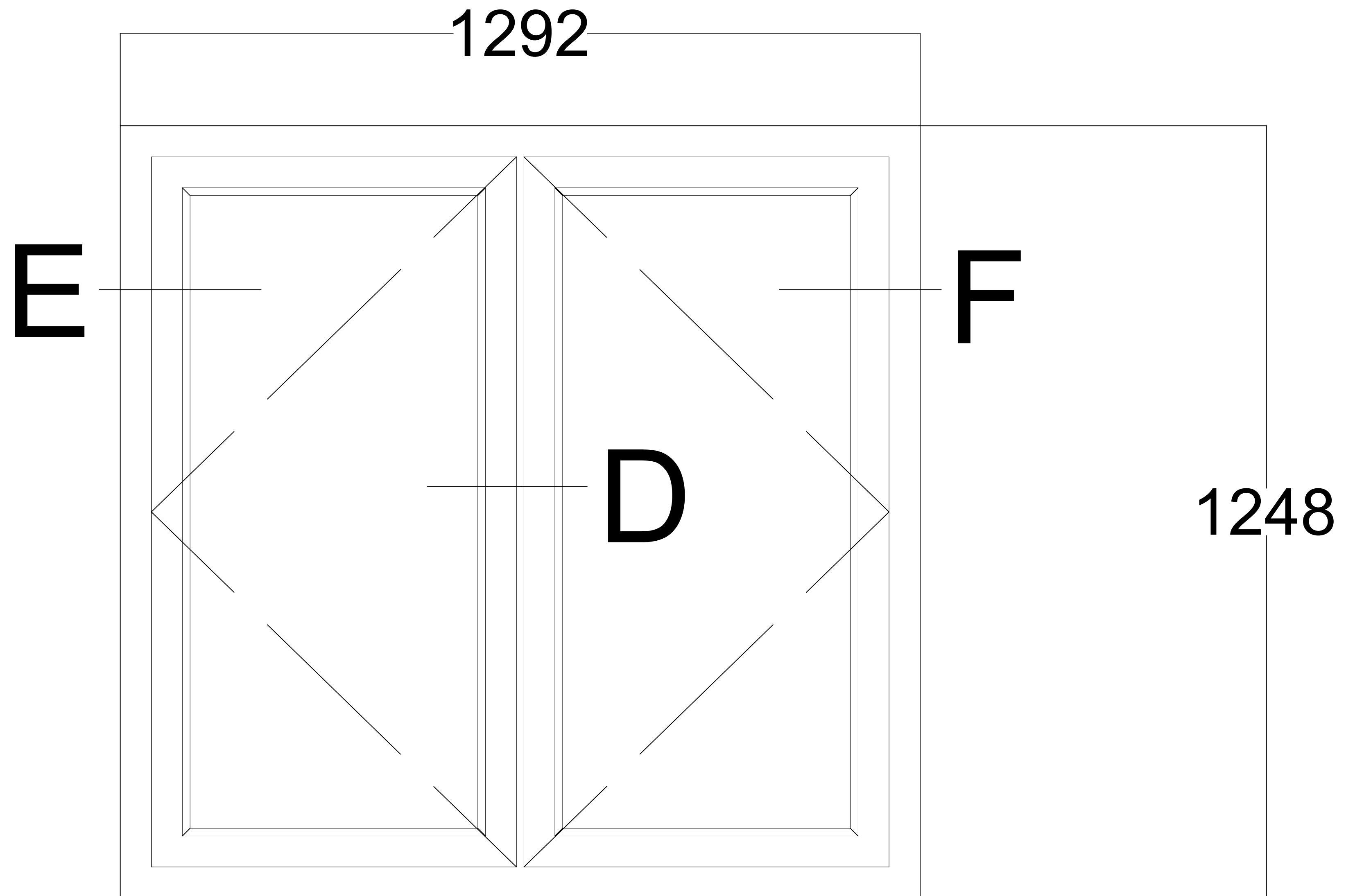


# W15



# W16



**General.**  
 This survey has been prepared with a scaling accuracy for a plot at a scale of 1:100.  
 All critical measurements should be checked on site prior to design. No liability will be taken for this plan if passed onto 3rd parties. Trees and other survey data may be omitted due to dense vegetation. Some services may have been omitted due to parked vehicles and vegetation. Please note the drainage information has been ascertained by visual inspection from the surface and therefore values are estimated.  
 The surveyor will not be responsible for omission of details obscured during site survey. RICS professional guidance 3rd edition rule 1.19 applies to this survey.

**Notes.**  
 Levels are related to OS National Grid by GPS

Rev	Details of Revision				Drawn	Date

Surveyed	Drawn	Date	Checked	Date	Approved	Date
		15/09/21		15/09/21		

**MARCUS  
 POSTLETHWAITE  
 CONSTRUCTION  
 CONSULTANT**

**Client.**  
 MR & MRS SAWYER

**Title.**  
**PROPOSED WINDOWS 15+16**  
 THE ROW  
 DONNINGTON  
 MORETON IN MARSH  
 GL56 0YA