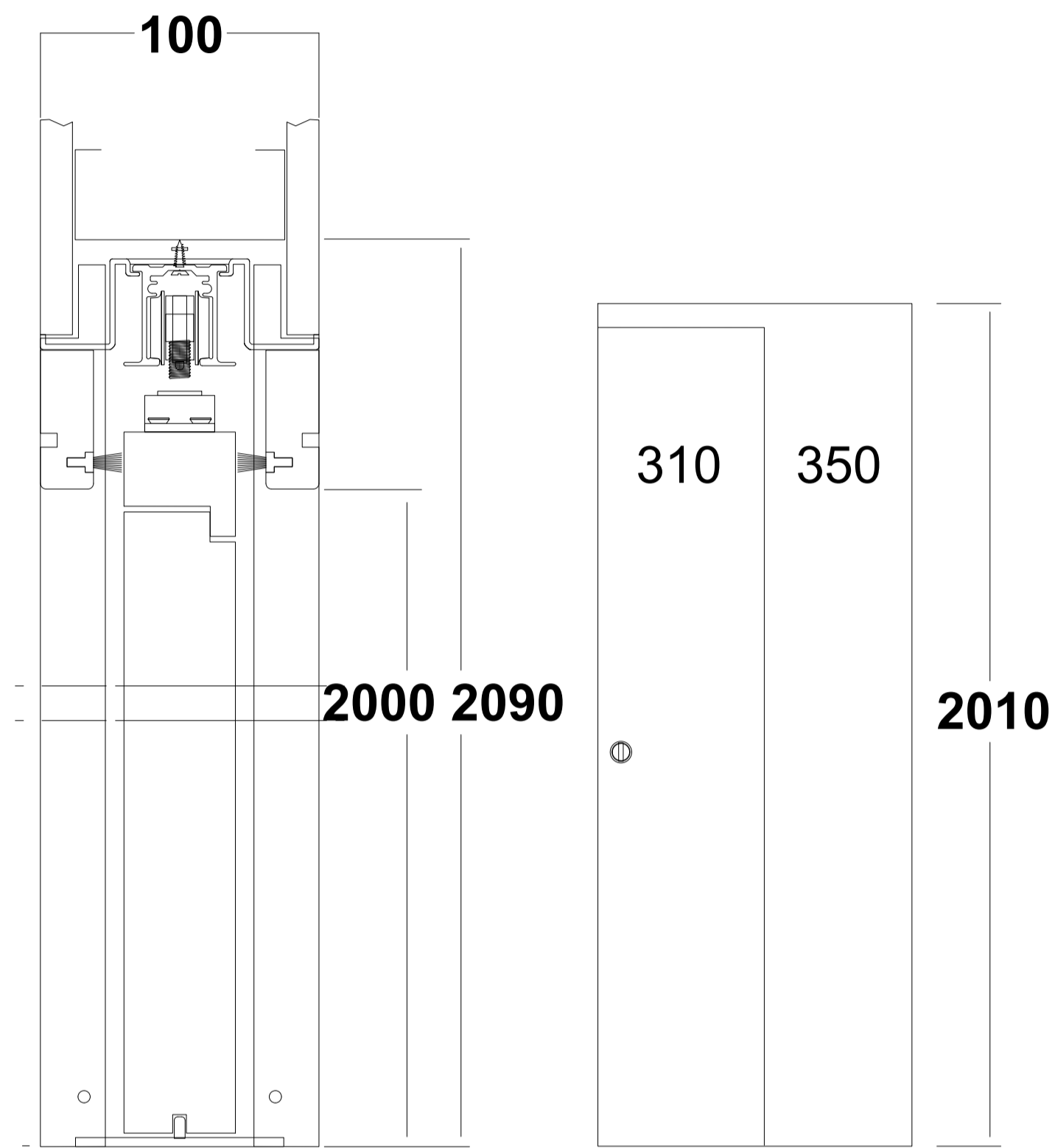
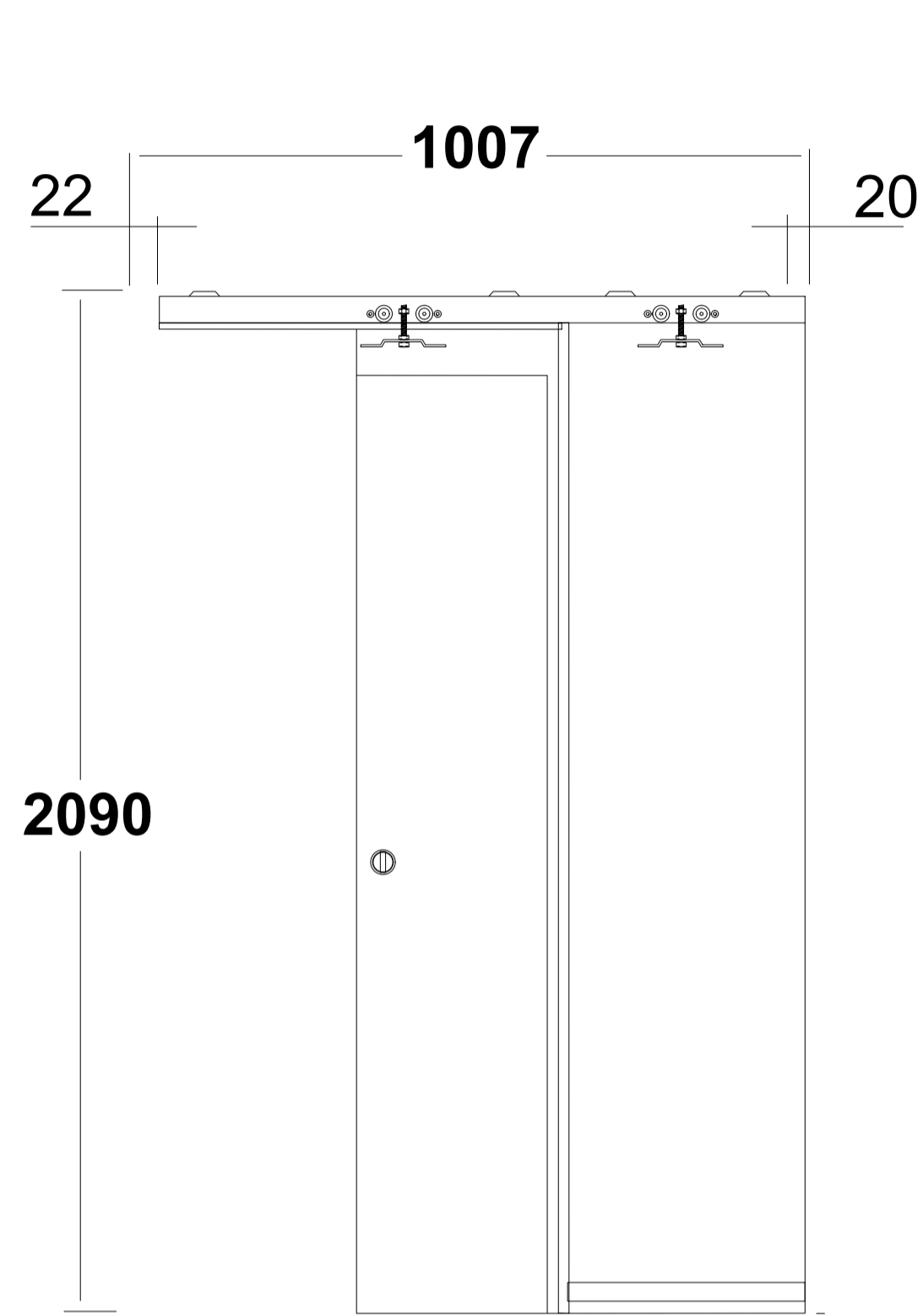
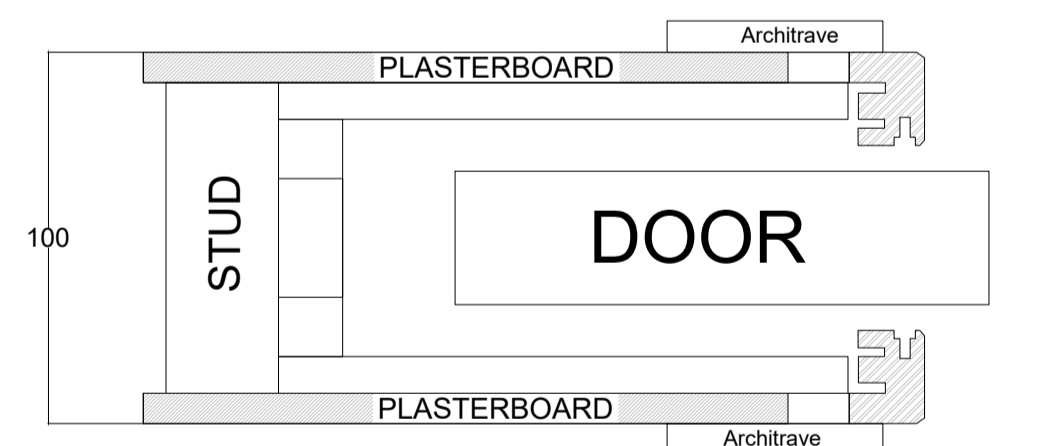
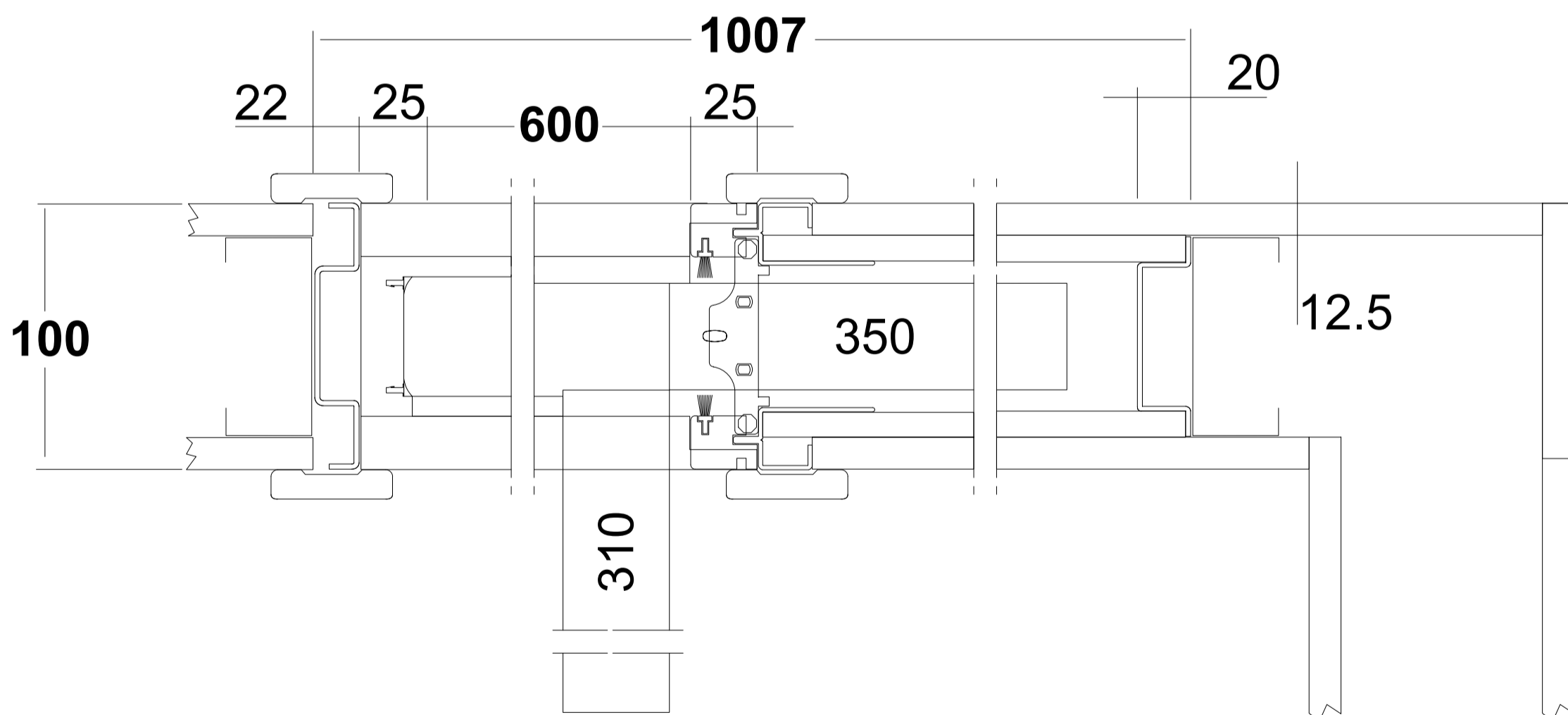


SWING AND SLIDE POCKET DOOR - D3, D10 + D11



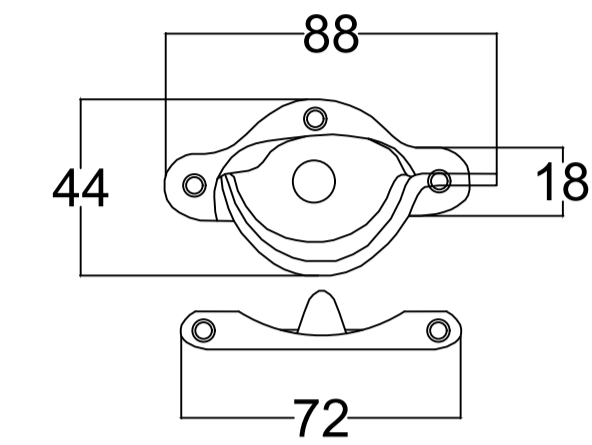
FINISHED FLOOR LEVEL

N.B.: Novanta sectional door panel



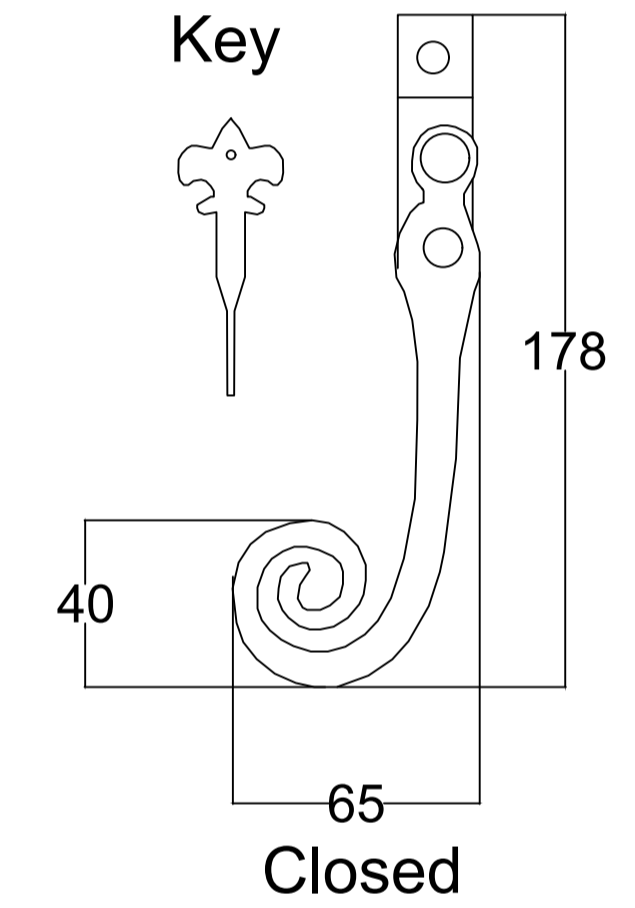
FINISHED WALL THICKNESS = FRAME + 12.5mm
PLASTERBOARD ON BOTH SIDES

100mm fwt = 75mm frame + 12.5mm + 12.5mm
125mm fwt = 100mm frame + 12.5mm = 12.5mm

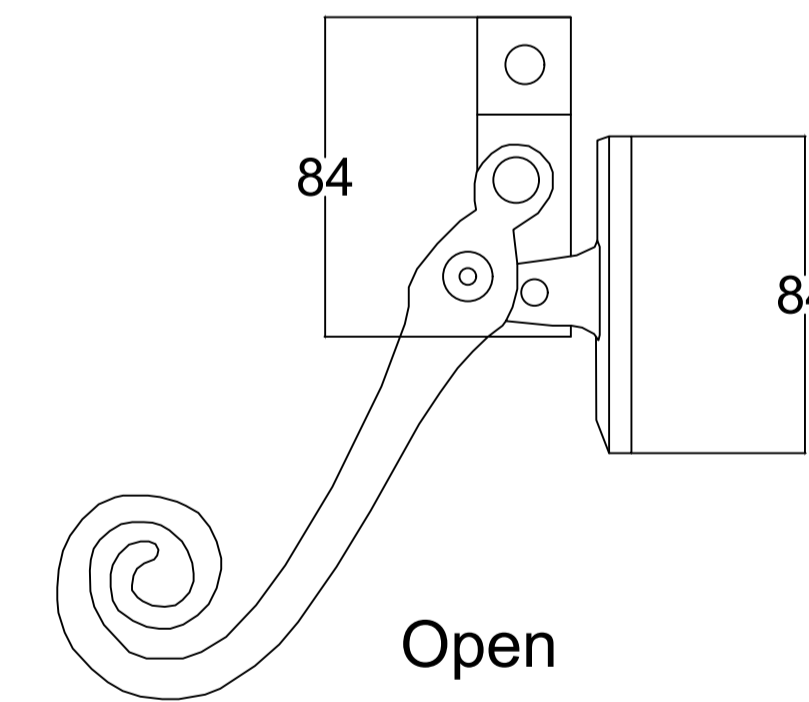


Heritage Fastener Locking - Matt Black

Monkey Tail Window Handle Left Hand - 40mm Spindle



Closed



Open

Suitable for Timber casement windows, the Monkey Tail is available in 40mm spindle lengths with an Antique Black finish. Monkey Tail handle has been tested to the highest technical standards and meet the requirements of PAS 24:2012 on a number of window systems to confidently ensure the window security performance. All finishes meet the requirements of BS EN 1670:2007 Grade 5 (480 hours) for Corrosion Resistance to provide the most robust finish for your hardware; and to ensure smooth and consistent performance over time the handle is endurance tested in our test house to excess of 25,000 cycles.

General.
This survey has been prepared with a scaling accuracy for a plot at a scale of 1:100.

All critical measurements should be checked on site prior to design. No liability will be taken for this plan if passed onto 3rd parties. Trees and other survey data may be omitted due to dense vegetation. Some services may have been omitted due to parked vehicles and vegetation. Please note the drainage information has been ascertained by visual inspection from the surface and therefore values are estimated.

The surveyor will not be responsible for omission of details obscured during site survey. RICS professional guidance 3rd edition rule 1.19 applies to this survey.

Notes.
Levels are related to OS National Grid by GPS

Rev	Details of Revision	Drawn	Date

Surveyed	Drawn	Date	Checked	Date	Approved	Date
		15/09/21		15/09/21		

MARCUS POSTLETHWAITE CONSTRUCTION CONSULTANT

Client.
MR & MRS SAWYER

Title.
PROPOSED DOOR + WINDOW HANDLE DETAILS
3 THE ROW
DONNINGTON
MORETON IN MARSH
GL56 0YA

Scale. 1:2 A1 Sheet Rev. -