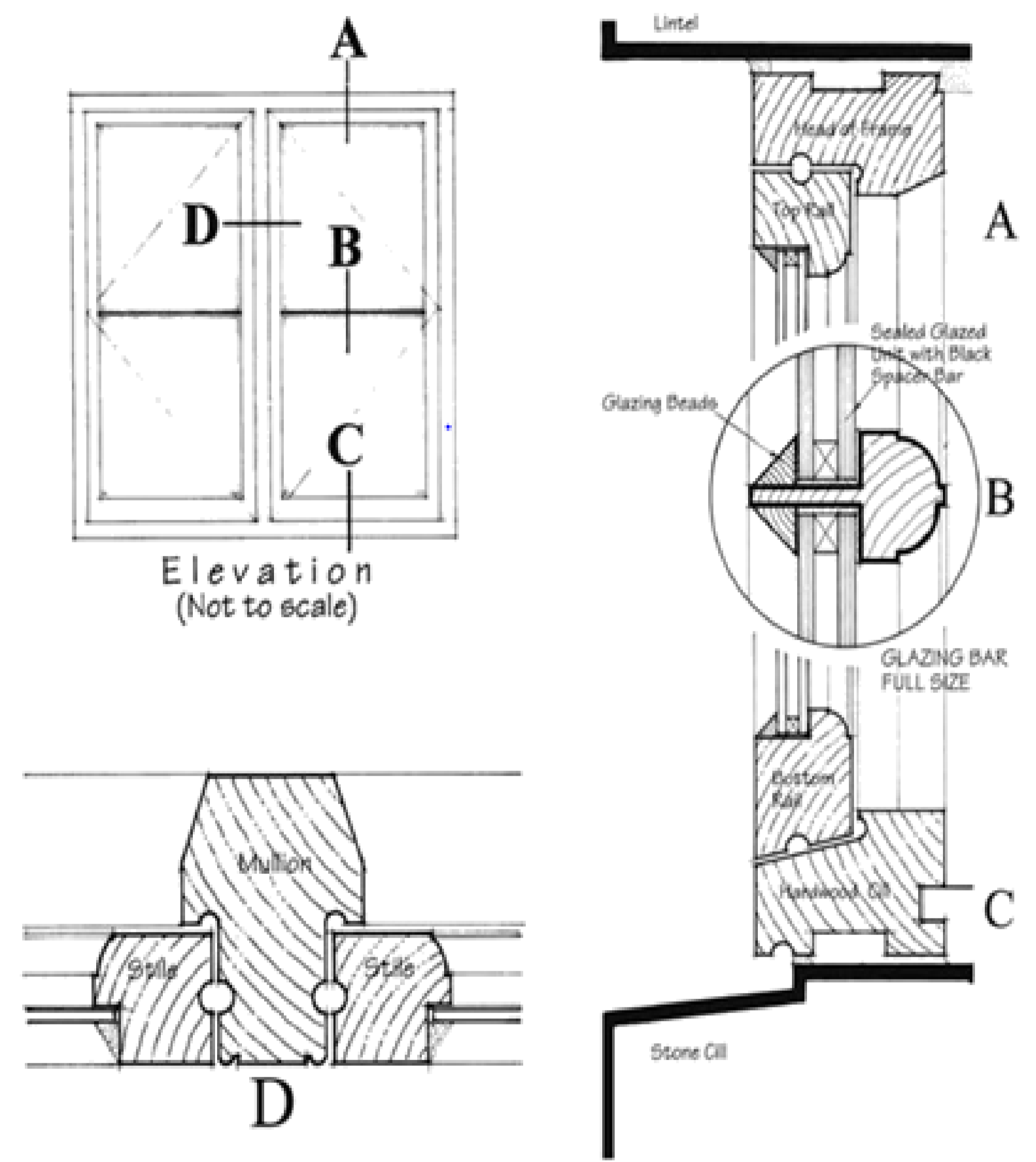
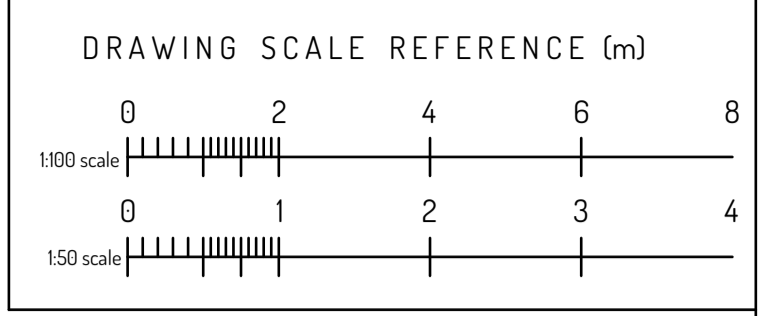
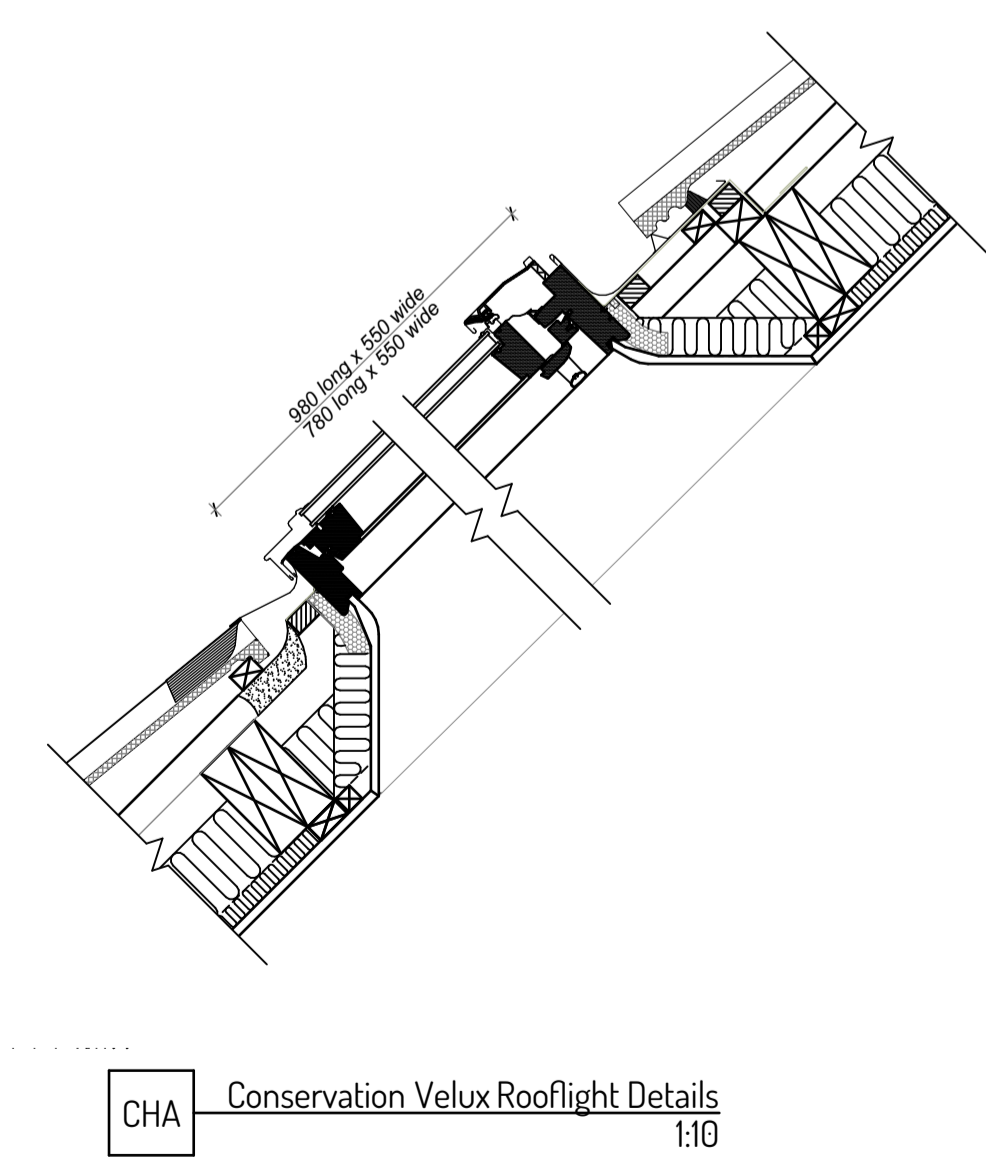
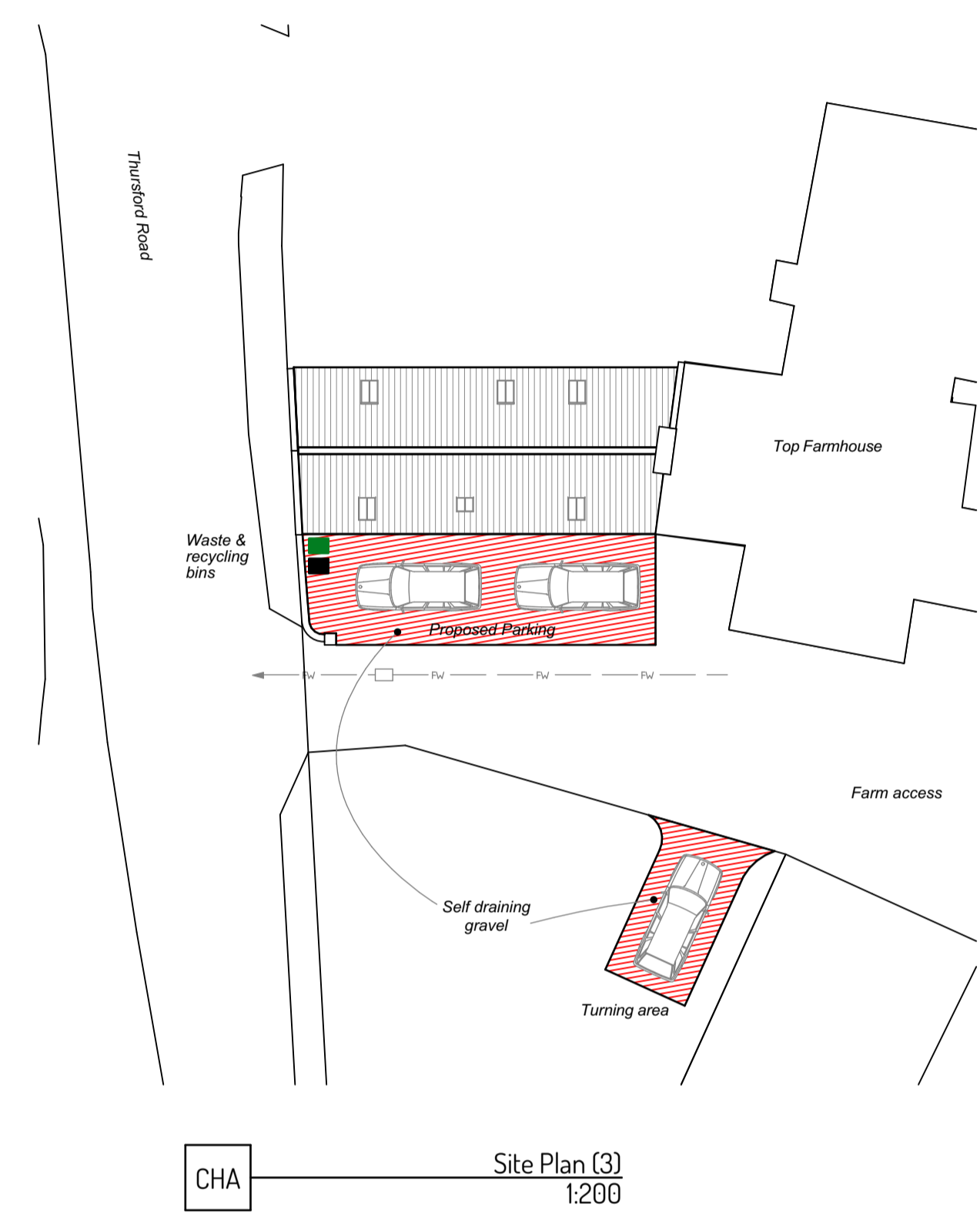
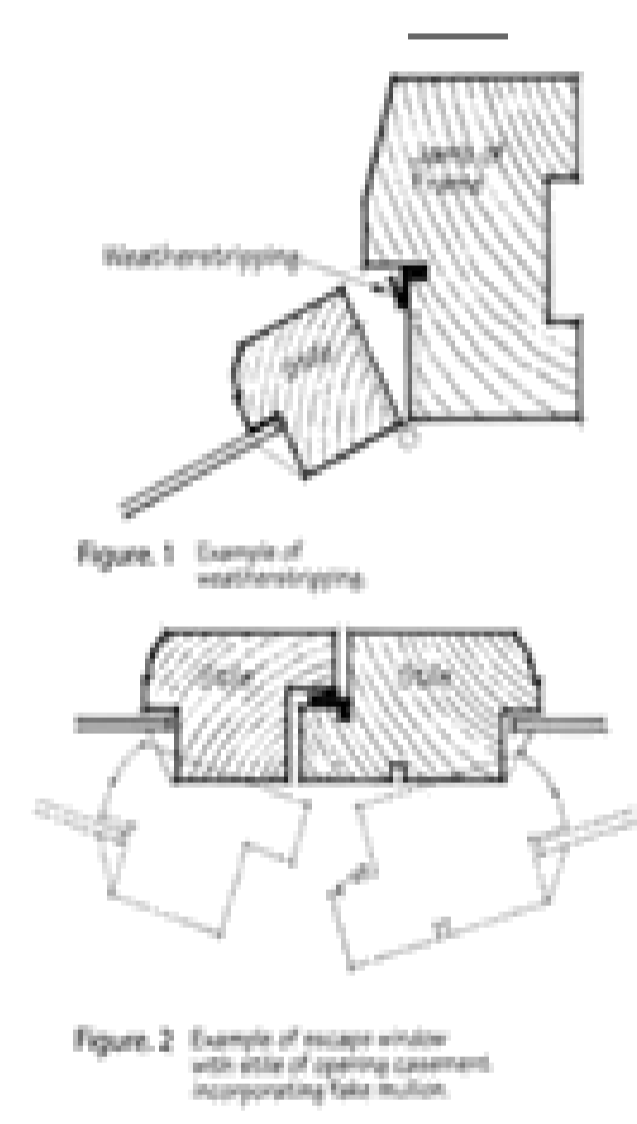


Casement Details



12mm slim-lite krypton gas fill DGSU's.



B	21.10.2022	Glazing details revised
A	18.10.2022	Glazing details revised
revision	date	description
 CIAT REGISTERED PRACTICE		
claxton hall architectural ltd		
<small>tel: 01328 862229 address: 1 Vine House, 3 Oak Street, Fakenham, Norfolk, NR21 9DX e-mail: design@claxton-hall.co.uk web: www.claxton-hall.co.uk</small>		
project:	Proposed Conversion of Outbuilding To Holiday Accommodation Top Farm, Great Snoring	sheet size: A1
date:	Oct 2022	
scales:	As shown	
revision:	B	
ref:	427 - 08	

Do not scale, printing may distort drawn dimensions use figured dimensions only. If in doubt ask!