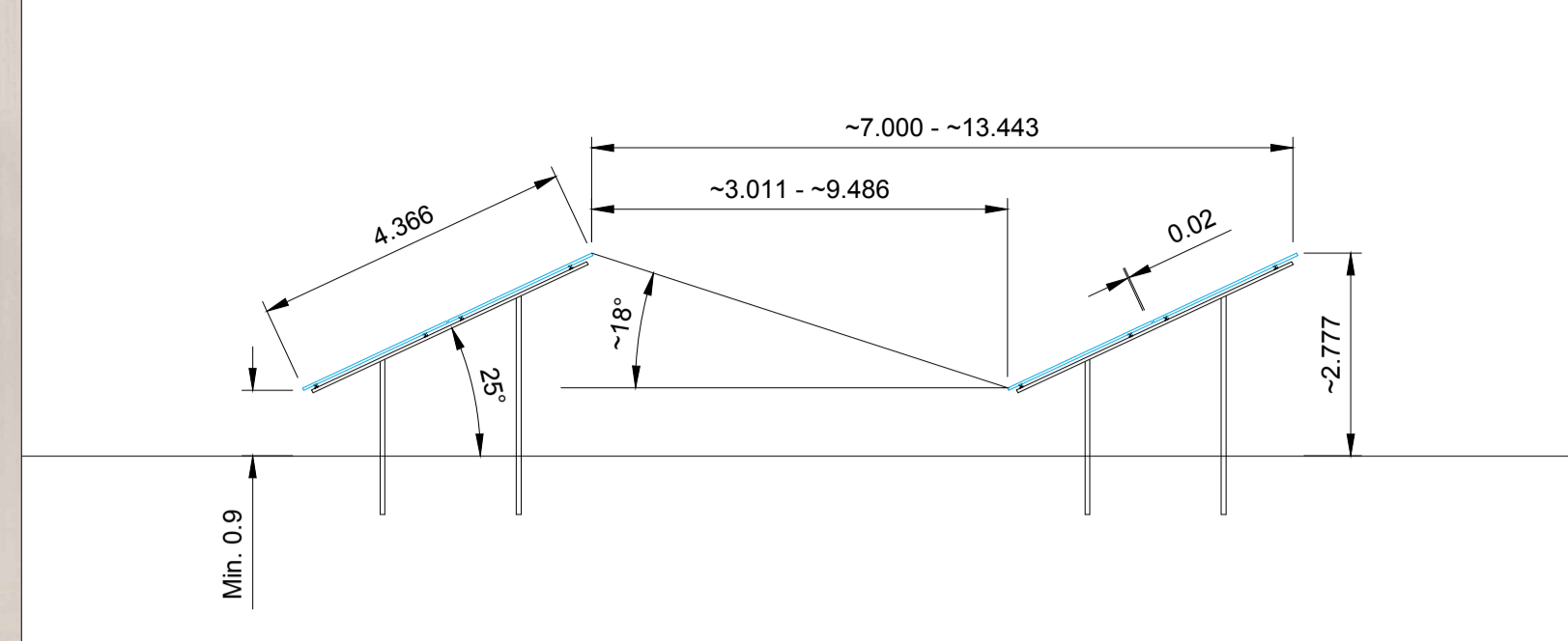


DETAIL B | Frame side view
M 1:100@A1



- Notes:
- All dimensions to be confirmed on site prior to installation.
 - All dimensions are indicative only and in mm unless otherwise specified.
 - Drawing based on:
 - *OS 1 25 000 raster - Explorer 726696 941072*;
 - *OS_MasterMap_Imagery_Layer_728062_942568*;
 - *OS_Terrain_5_726696_941071*;
 - *OS_VectorMap_Local_Raster_743641_962392*;
 - *Three Oaks Boundary.kmz*.
- GE Imagery date: 01/07/18.

- Legend:
- Site boundary
 - Perimeter fence
 - Overhead line
 - Maintenance track
 - Customer cabin
 - 20ft. transformer station
 - CCTV Location

System description:

DC Power kWp:	53 996.8
AC Power kVA:	35 905 (Rated@215kVA)
No. of modules:	84 734
Module type:	Canadian Solar CS7L-590MB
Dimensions:	2173x1305x35
Substructure type:	2 modules in portrait
Tilt angle:	25°
Shading angle:	-18° / -31.5°
Azimuth from South:	Due south
Pitch distance:	-7.000m - -13.443m
Row to row distance:	-3.011m - -9.486m
No. of inverters:	167
Inverter type:	Huawei SUN2000-215KTL-H0
Power ratio:	1.5 (Rated@215kVA)
No. of AC combiners:	-
No. of Transformers:	6
Fence area:	-61.91 ha
Fence length:	-3 325 m
Total area:	-68.50 ha



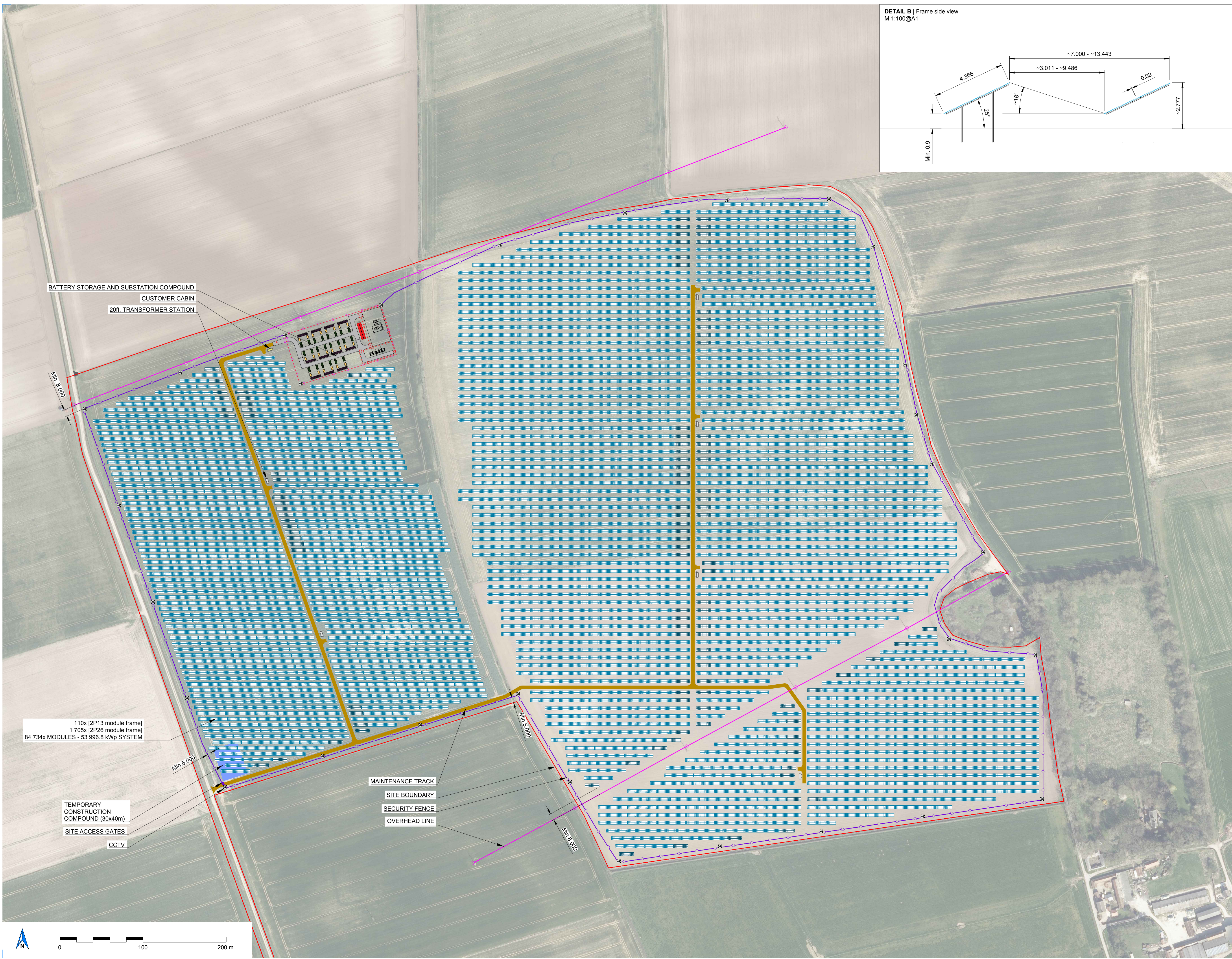
Revisions:

Rev	Date	Comments	Drawn
A	08/07/22	BESS compound added	RU
B	20/09/22	Site boundary amendment Construction compound and CCTV added	AAP

Project: Three Oaks Renewable Energy Park
 Location: West Back Side, Haisthorpe, Driffield, YO25 4NW, UK
 54°4'18.46"N 0°17'24.25"W
 Title: Figure 3a - Site Layout (Overall with aerial underlay)
 Drawn: DETRA / AP Checked: JF
 Scale: 1:2000@A1 Date: 20/09/22
 Drawing No: ENGN1009-100 Rev: B

Engena Limited
 The Old Stables
 Bosmere Hall
 Creeting St Mary
 IP6 8LL
 www.engena.co.uk

Do not scale from this drawing. Site verify all dimensions prior to construction. Report all discrepancies to the drawing originator immediately. This drawing is to be read in conjunction with all relevant documents and drawings.



BATTERY STORAGE AND SUBSTATION COMPOUND
 CUSTOMER CABIN
 20ft. TRANSFORMER STATION

110x [2P13 module frame]
 1 705x [2P26 module frame]
 84 734x MODULES - 53 996.8 kWp SYSTEM

TEMPORARY CONSTRUCTION COMPOUND (30x40m)
 SITE ACCESS GATES
 CCTV

MAINTENANCE TRACK
 SITE BOUNDARY
 SECURITY FENCE
 OVERHEAD LINE

