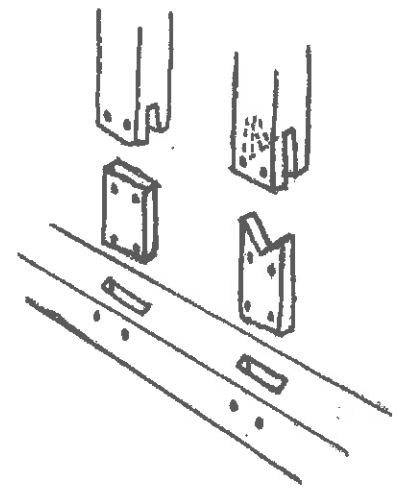
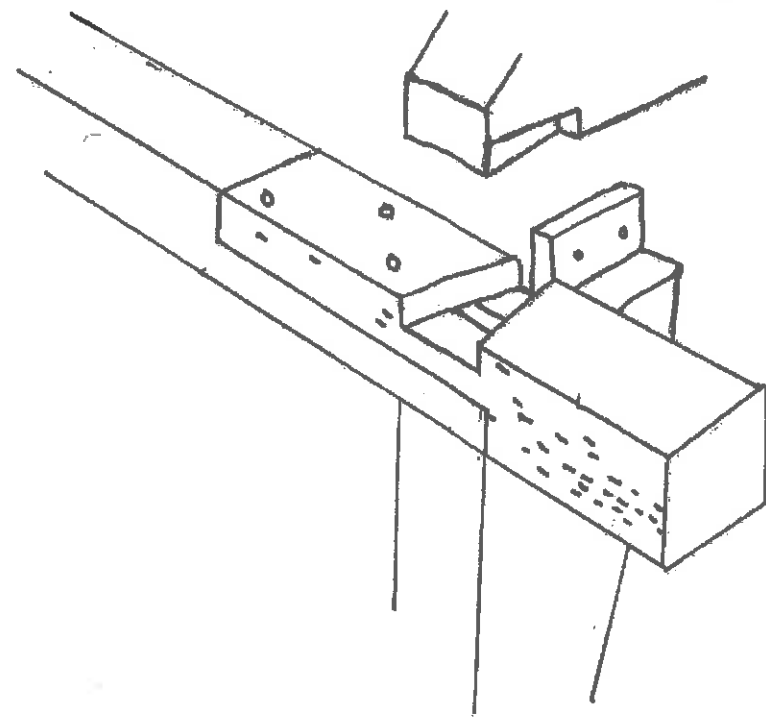


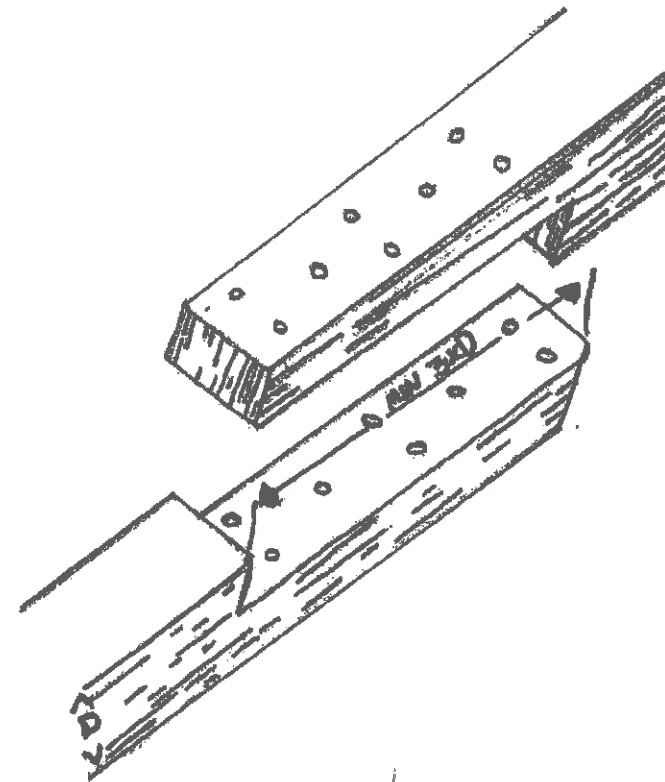
DETAIL-1
Scissor Scarf



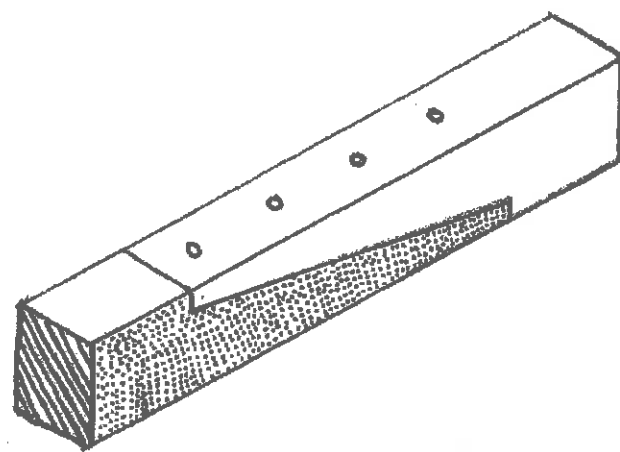
DETAIL-2
slip-or-fish tenon



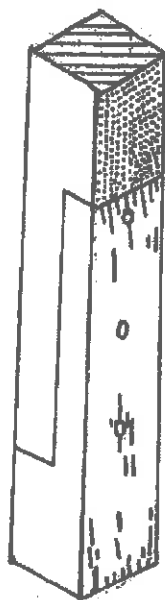
DETAIL-3
wall-plate or collar-plate



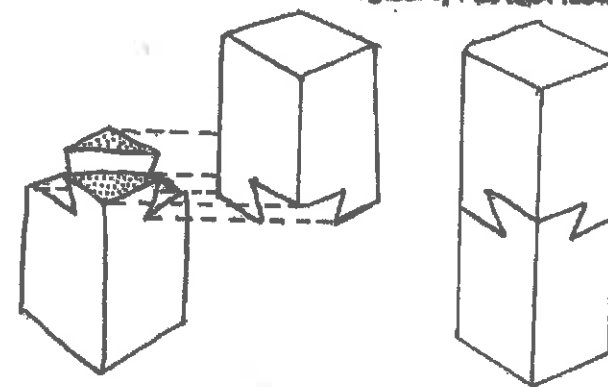
DETAIL-4
edge halved scarf
vertical, horizontal or inclined member



DETAIL-5
splayed scarf
eg. in members subject to
bending stresses



DETAIL-6
halved scarf
eg. in compression
members.



DETAIL-7
butt joint with fish plate

Ensure all dimensions are checked on site prior to ordering of prefabricated elements. Ensure minimum headroom requirements are met for all staircases. Do not scale from this or any other drawing. Any discrepancies, contact the issuer. This drawing or any of its contents cannot be used except with the express written permission of the issuer. Without such permission no responsibility is taken for its content.

ROBERTS.MOLLOY ASSOCIATES architects and consultants		3 church lane bressingham diss norfolk IP22 2AE	ROBERTS MOLLOY ASSOCIATES © Tel: 01379 687705 E-mail: info@robertsmolloy.co.uk
DETAIL: TYPICAL TIMBER FRAME REPAIRS		PROJECT: TYPICAL TIMBER FRAME REPAIRS	
Scale: NTS	Date: 03.'14	JOB No. _____	DRG No. TYP 10