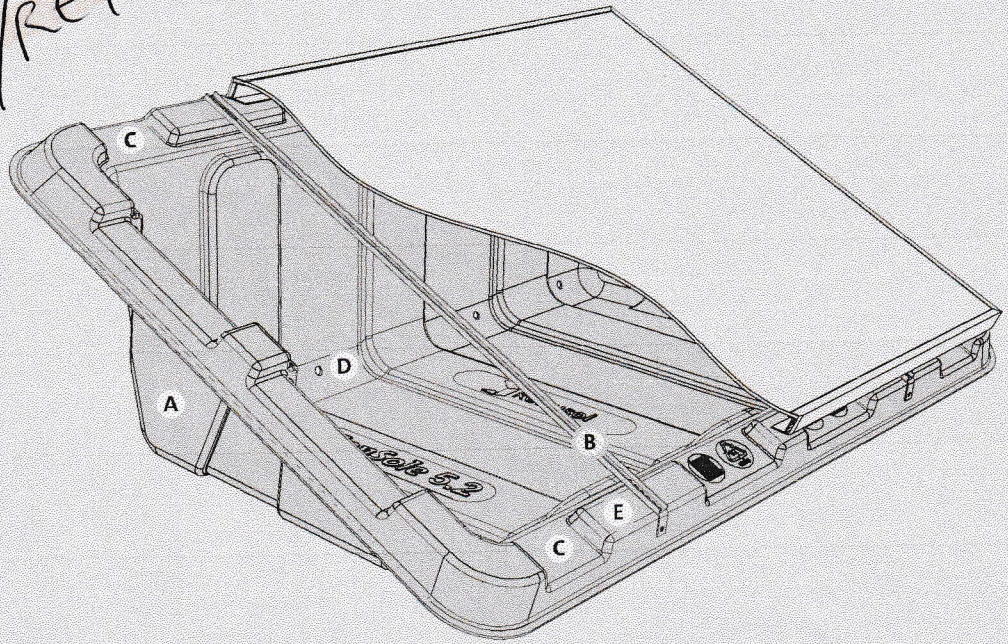
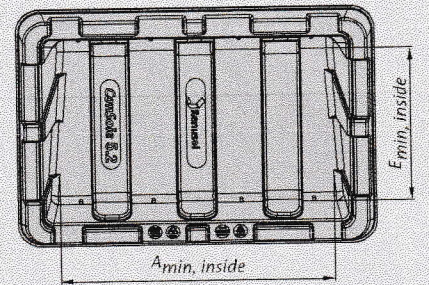
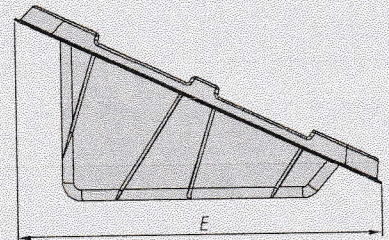
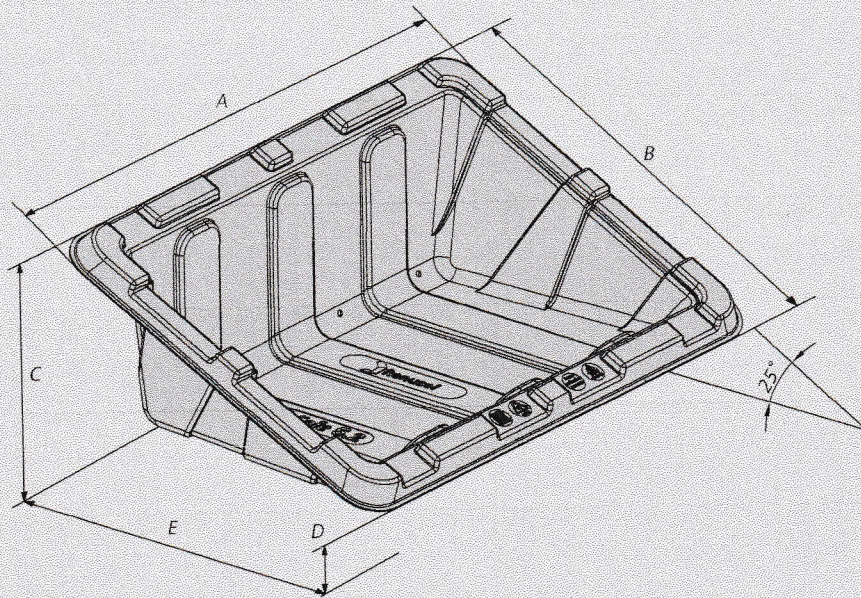


STOEHAYES =
SOLAR PANEL
CONSOLE/RETAINERS



- ConSole system overview:
- A ConSole
 - B U-profile of aluminium
 - C Air slots, top and bottom
 - D Borehole for drainage
 - E All round mounting edge



Recommended measurement of ConSole/PV-module

| Measurement | A mm | B mm | C mm | D mm | E mm | $A_{min, inside} \times E_{min, inside}$ mm |
|-------------|---------|---------|---------|---------|---------|--|
| ConSole 4.1 | 1,680 | 840 | 400 | 50 | 740 | 1,300 x 400 |
| ConSole 4.2 | 1,240 | 1,090 | 530 | 50 | 960 | 890 x 490 |
| ConSole 5.2 | 1,520 | 1,080 | 500 | 40 | 960 | 1,140 x 630 |
| ConSole 6.2 | 1,740 | 1,070 | 500 | 50 | 970 | 1,380 x 630 |

ConSole 4.1 for StoeHayes