

Quotation Prepared for: Dale Hodgson
Tallett Cottage
Ford
Temple Guiting
Cheltenham
Gloucestershire
GL54 5RU

Scope of Project:

Replacement - Carefully remove existing items, prepare openings and supply and fit replacements. To include all making good of aperture ready for final decoration by others. All installed in full compliance with Building Regulations Document L (2010 Edition) by our trained and experienced installers.

Site Address: As quotation

Technical Specification:

All products in multi-layer Engineered European Redwood or Finger Jointed Redwood sections for added stability. Internally beaded throughout for security. Factory glazed with argon gas filled double glazed units featuring soft-coat energy saving glass. Drained and vented sections to protect against sealed unit failure. Fully factory finished with high performance, micro-porous paint treatments. Entrance doors fitted with multi-point claw locks and robust, adjustable hinges. Flush casement windows with high security multi-point locking systems and locking handles. Where FSC is shown against an item, joinery is supplied as FSC Mix Credit under Chain of Custody Registration No TT-COC-005135

Item	Qty	Item Reference	Product	Style	Remarks
1	3	W x 3	Flush Casement Window	DL17	Monkeytail - Black. French Grey Finished. FSC
2	1	W 2 x 1	Flush Casement Window	DL17	Monkeytail - Black. French Grey Finished. FSC
3	1	Front door	Entrance Door	IN-A-Staverton	Cottage - Black. Light Oak Finished. FSC
4	1		Trim	Cover Strip - 8x32 2350mm	French Grey Finished. FSC

Prepared By:
Rob Williams
Designer

Your Project is covered by:



Nett Price: [REDACTED]
VAT (20%): [REDACTED]
Total Price: [REDACTED]

Showroom: Cheltenham

Valid upon registration. Ask for full details

QUOTATION VALID FOR: 30 DAYS

Lead Time:

* Approximately 11-13 weeks from Sign Off of Final Detail.

Terms:

Deposit with Order: 50%
Stage payment approximately two weeks prior to installation: 40%
On day of completion to installers: 10%

Your Guarantees:



Item: 1

FLUSH CASEMENT WINDOW IN FINGER JOINTED REDWOOD

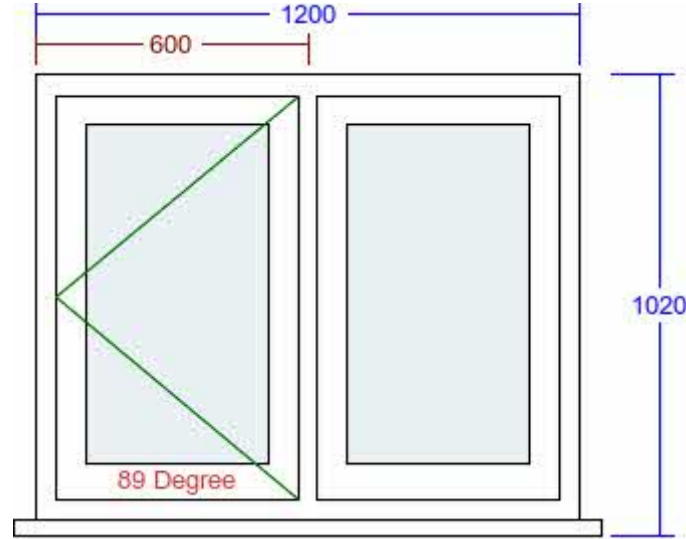
Quantity: 3

Style: DL17

Item Reference: W x 3

Quote Ref: 4288/1 V4

Key Features:



Detailed Specification:

VIEWED FROM OUTSIDE. POINT OF ARROW DENOTES HINGE POSITION.

Width (mm)	1200	Head Drip	None	Swept Heads	No
Height (mm)	1020			Glass Pattern	Clear
Frame Head Size	60mm	Add Ons Required	No		
				Glass Type	4mm Annealed
Feature Mould	Ovolo	Trickle Vents Required	No	Glazing Features	None
Style Option	Dummy Sash	Window Board Required	No		
Egress Compliance	Not Fire Escape Compliant			Handle	Monkeytail - Black
Equalise Glass Widths	Yes			Peg Stay Alignment	No Pegstay
				Hinge System	Friction with Kenrick locks
Colour	French Grey (RAL 7032)			TW (85/89 Degree Hinge)	Cotswold Egress Easy Clean Hinge
Cill	145mm x 38mm (inc. in overall ht)			FSC Certified	Yes
Cill Species	Finger Jointed Redwood				
Cill Horns	50mm Each Side				
Factory Fit Cill	Yes				

Item: 2

FLUSH CASEMENT WINDOW IN FINGER JOINTED REDWOOD

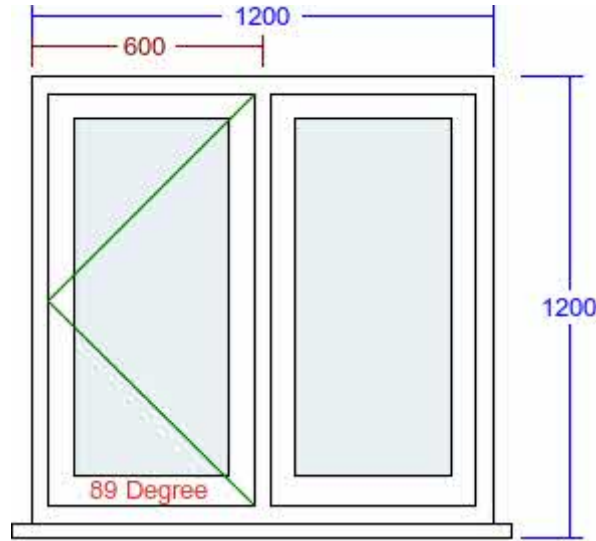
Quantity: 1

Style: DL17

Item Reference: W 2 x 1

Quote Ref: 4288/1 V4

Key Features:



Detailed Specification:

VIEWED FROM OUTSIDE. POINT OF ARROW DENOTES HINGE POSITION.

Width (mm)	1200	Head Drip	None	Swept Heads	No
Height (mm)	1200	Add Ons Required	No	Glass Pattern	Clear
Frame Head Size	60mm	Trickle Vents Required	No	Glass Type	4mm Annealed
Feature Mould	Ovolo	Window Board Required	No	Glazing Features	None
Style Option	Dummy Sash			Handle	Monkeytail - Black
Egress Compliance	Not Fire Escape Compliant			Peg Stay Alignment	No Pegstay
Equalise Glass Widths	Yes			Hinge System	Friction with Kenrick locks
Colour	French Grey (RAL 7032)			TW (85/89 Degree Hinge)	Cotswold Egress Easy Clean Hinge
Cill	145mm x 38mm (inc. in overall ht)			FSC Certified	Yes
Cill Species	Finger Jointed Redwood				
Cill Horns	50mm Each Side				
Factory Fit Cill	Yes				

Item: 3

ENTRANCE DOOR IN EUROPEAN REDWOOD

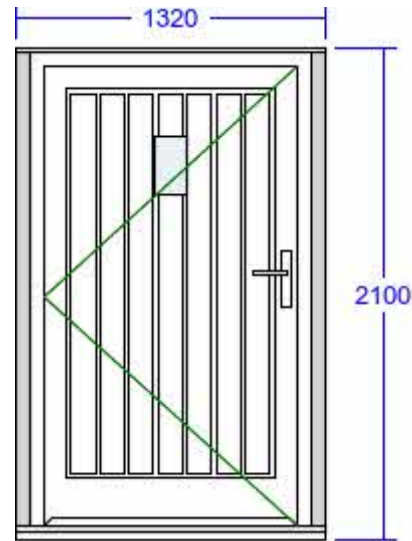
Quantity: 1

Style: IN-A-Staverton

Item Reference: Front door

Quote Ref: 4288/1 V4

Key Features:

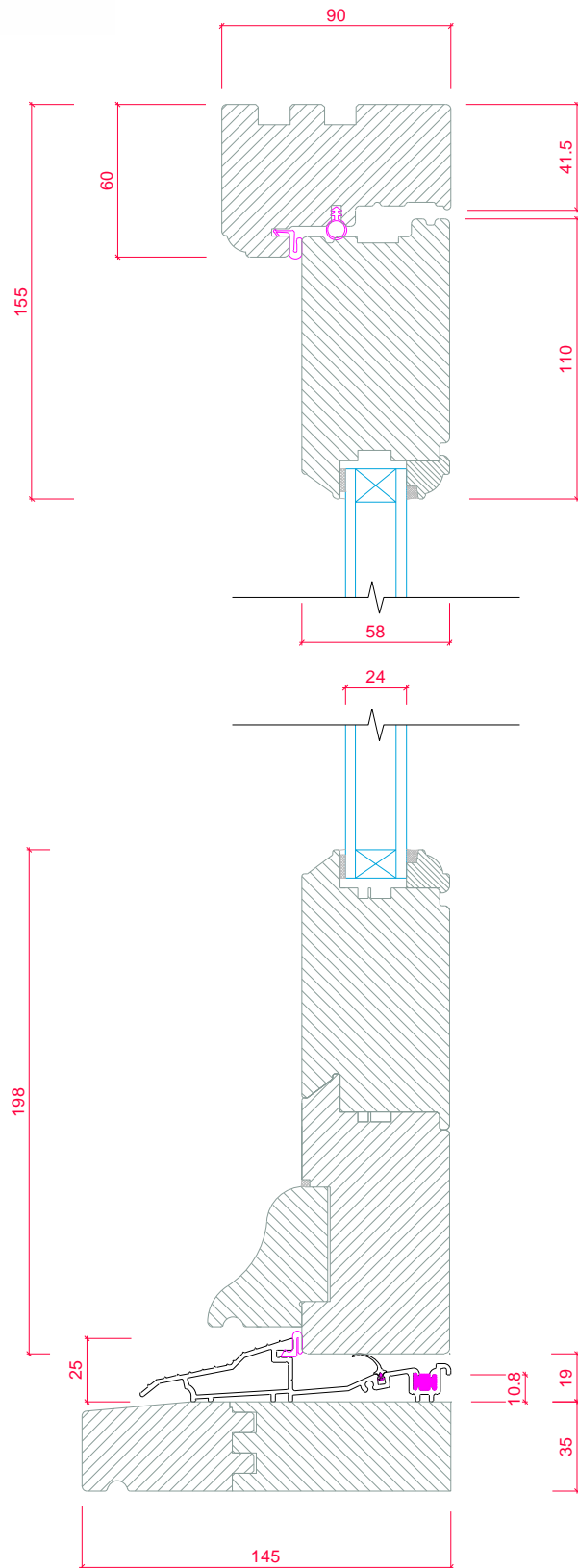


DRAWING NOTES: VIEWED FROM OUTSIDE. ARROW DENOTES HINGE POSITION.

DRAWINGS DO NOT DEPICT KNOCKERS, SPY HOLES, SECURITY CHAINS OR DOORKNOBS. REFER TO BROCHURE FOR FULL GLAZING CONFIGURATIONS.

Detailed Specification:

Overall Width (mm)	1320	Head Drip	20mm (included in overall ht)	Door Sash Glass Pattern	Clear
Overall Height (mm)	2100	Head Drip Horns	No	Glass Type	4mm Toughened
Frame Head Size	60mm	Factory Fit Head Drip	Yes		
Stiles & Rails	110mm			Door Panel(s)	Plank Effect
		Cill Type	Projecting Cill		
Feature Mould	Ovolo	Cill	145mm x 35mm (inc. in overall ht)	Door Sash Glazing Features	None
		Cill Horns	No		
Hinge Side	Left	Cill Species	Engineered European Redwood	Door Handle	Cottage - Black (Dark Kaba)
Door Opens	In	Factory Fit Cill	Yes	Door Knocker	No
Door Sash Style	Staverton			Letterbox	None
		Add On to Head	None	Security Chain	None
Colour	Light Oak	Add On to Bottom	None	Catflap	None
		Add On to Left	60mm (included in overall size)		
		Add On to Right	60mm (included in overall size)	FSC Certified	Yes
		Factory Fit Add Ons	Yes		
		Trickle Vents Required	No		
		Threshold Board Required	No		
		Hinge Colour	Black		
		Threshold Colour	Black		



Optimal Door - Open In
Feature Mould: Ovolo
Vertical Section
Standard Threshold with 145mm x 35mm Projecting Cill

Quote Ref: 4288/1 V4

Trims

item	qty	style	species	colour	
4	1	Cover Strip - 8x32 2350mm	European Redwood FSC	French Grey (RAL 7032)	