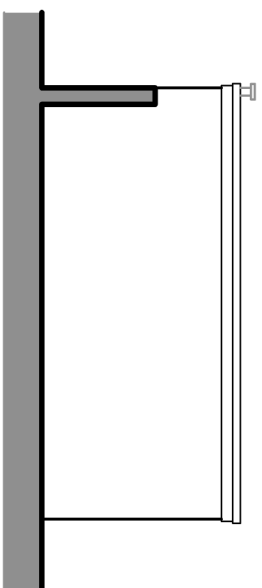
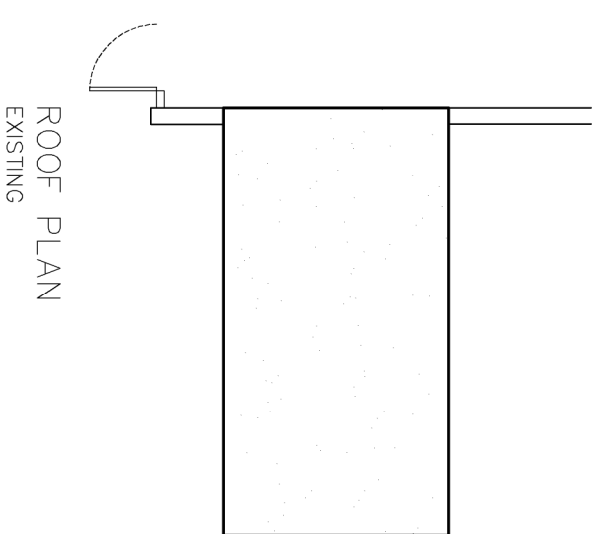


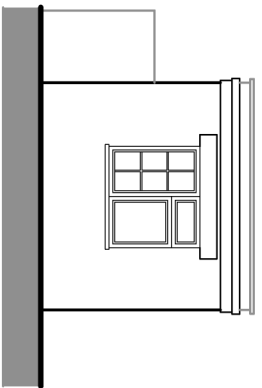
EAST ELEVATION
EXISTING



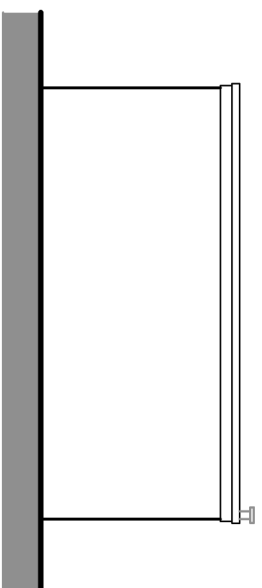
NORTH ELEVATION
EXISTING



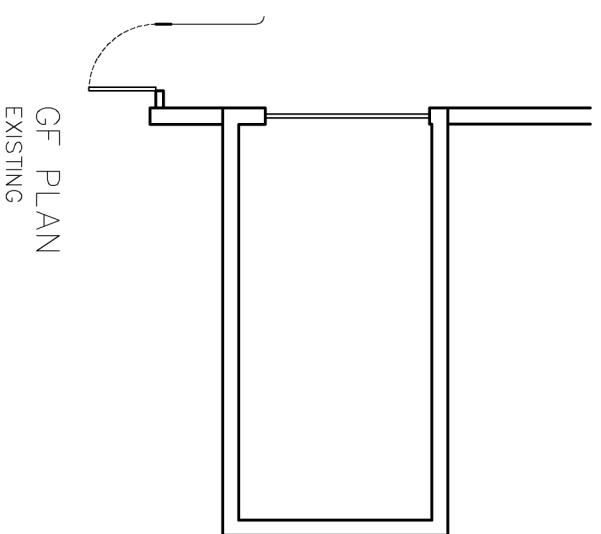
ROOF PLAN
EXISTING



WEST ELEVATION
EXISTING



SOUTH ELEVATION
EXISTING



GF PLAN
EXISTING

Rev	Date	Details
0167	3	220

Project	Stage	Drawing	Rev	Status
0167	3	220	-	PLANNING

Scale 1:100
Size A3 L
Drawn CJ
Check -
Creation



01 SPRINGFIELD
NORTON ST PHILIP, BATH
EXISTING GARAGE PLANS & ELEVATIONS