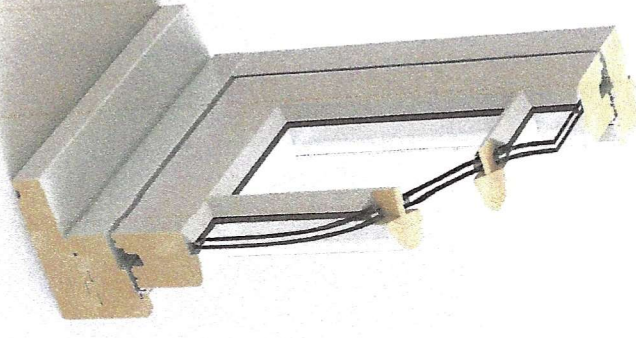
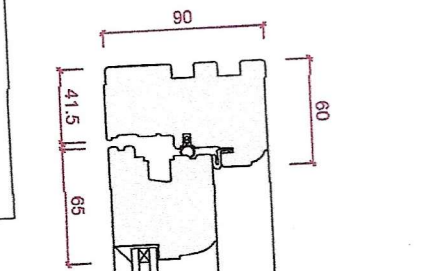
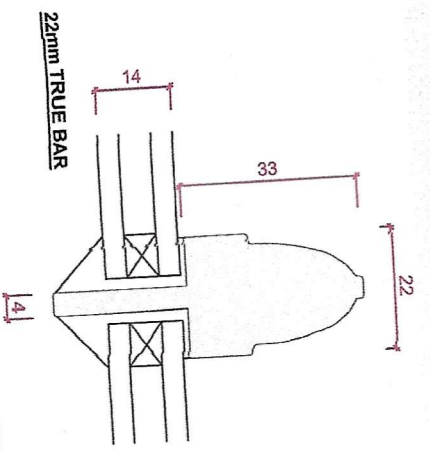
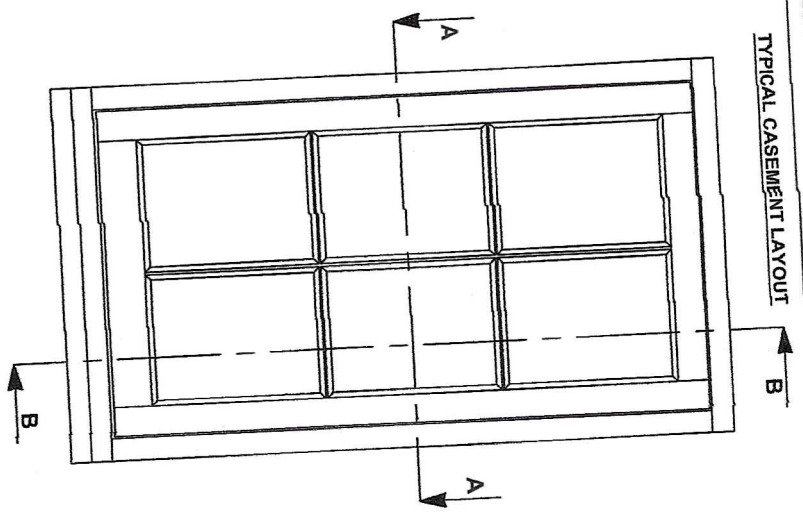


THIS DRAWING AND SECTION SHOWS THE APPEARANCE OF THE PERFORMANCE WINDOW. THE DRAWING IS NOT TO BE USED AS A BASIS FOR MANUFACTURING UNLESS THE PERFORMANCE WINDOW IS SPECIFICALLY ORDERED ON THIS BASIS.

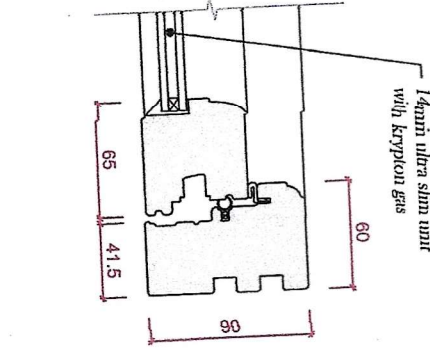
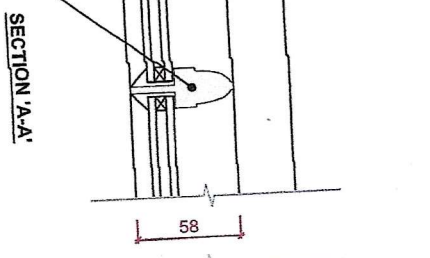


TYPICAL CASEMENT LAYOUT

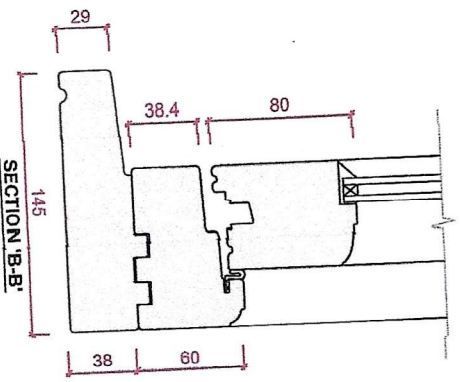
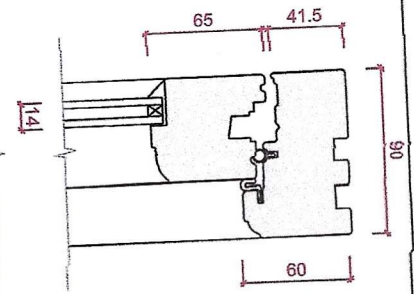
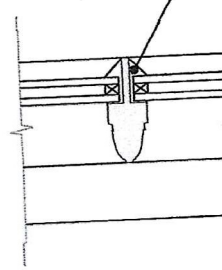


Authentic through bars

SECTION 'A-A'



Traditional style putty glazed finish



FLUSH CASEMENT (Oval)
14mm Narrow Cavity Unit

CLIENT:
PROJECT ADDRESS:



DATE ISSUED: SCALE: 1:10, 1:3, 1:1

DO NOT SCALE DRAWING

DN A3

2022 08-1 (2)

ALL MEASUREMENTS ARE FINISHED DIMENSIONS IN MM.

DO NOT SCALE DRAWING!

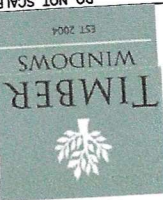
DATE DRAWN: 01/08/2019 | SCALE: 1:1 | Dwg AS

DRAWN BY: LH

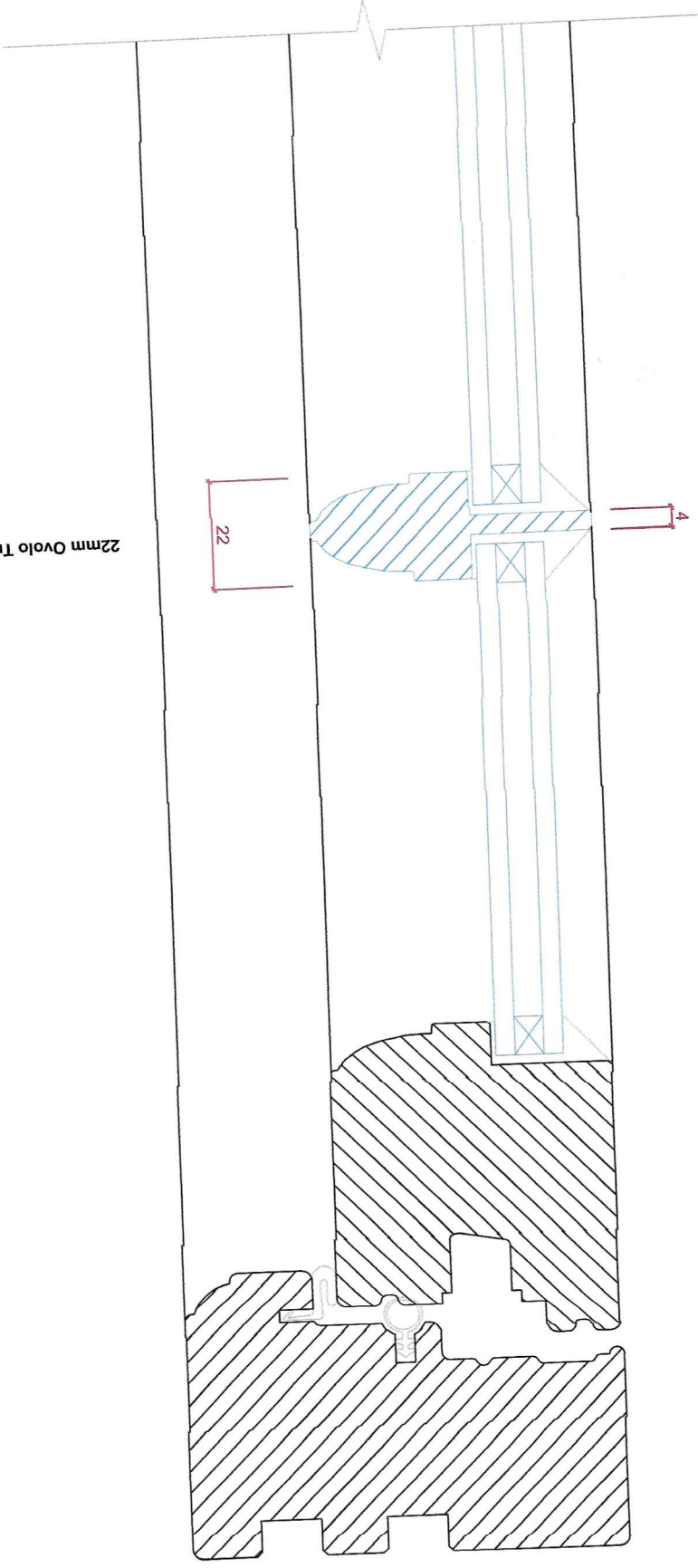
VERTICAL SECTION DETAIL
- OVULO TRUE BAR

PRODUCT RANGE:
FLUSH CASEMENT (Ovulo)
14mm Narrow Cavity Unit

TOLERANCES
UNLESS OTHERWISE SPECIFIED



ALL DIMENSIONS IN MM
ALL ANGLE DIMENSIONS ±0.5°
BREAK ALL SHARP EDGES 0.5

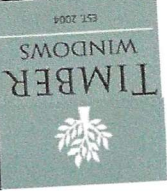


22mm Ovulo True Bar

22

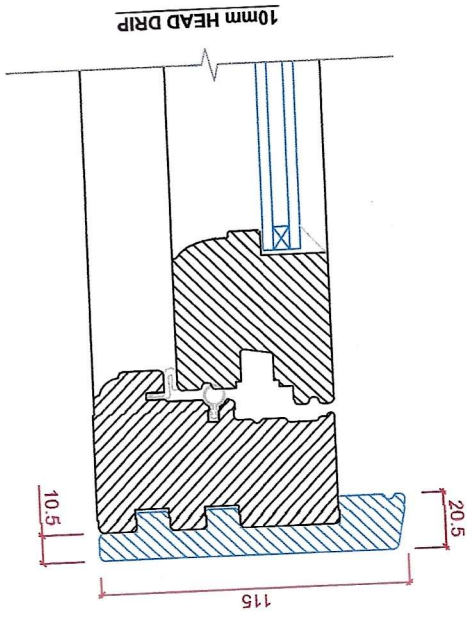
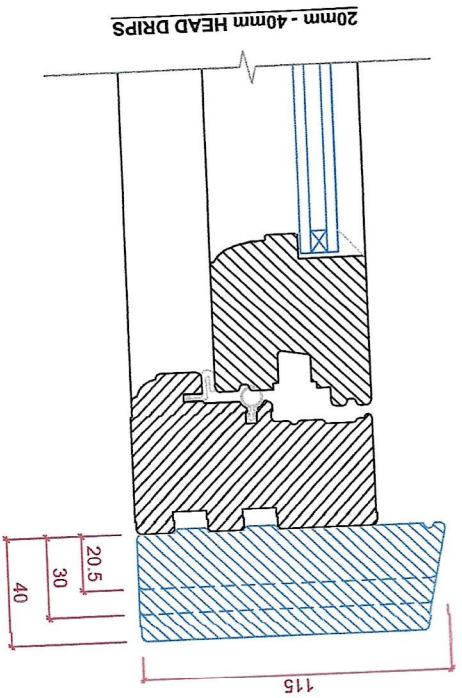
4

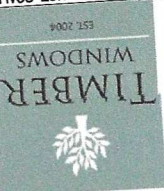
THIS DRAWING AND SPECIFICATIONS ARE THE PROPERTY OF THE PERFORMANCE WINDOW GROUP. THEY ARE ISSUED IN STRICT CONFIDENCE AND SHALL NOT BE REPRODUCED, COPIED OR USED AS THE BASIS FOR MANUFACTURING WITHOUT WRITTEN PERMISSION.



TOLERANCES UNLESS OTHERWISE SPECIFIED
ALL DIMENSIONS IN MM
ALL LINEAR DIMENSIONS ±0.4
ALL ANGLE DIMENSIONS ±0.5
BREAK ALL SHARP EDGES 0.5

PRODUCT RANGE: FLUSH CASEMENT (Ovolo) 14mm Narrow Cavity Unit	TITLE
VERTICAL SECTION DETAIL - 60mm HEAD WITH DRIP OPTIONS	
DRAWN BY: LH	DATE DRAWN: 01/08/2019
SCALE: 1:2	DIN A3

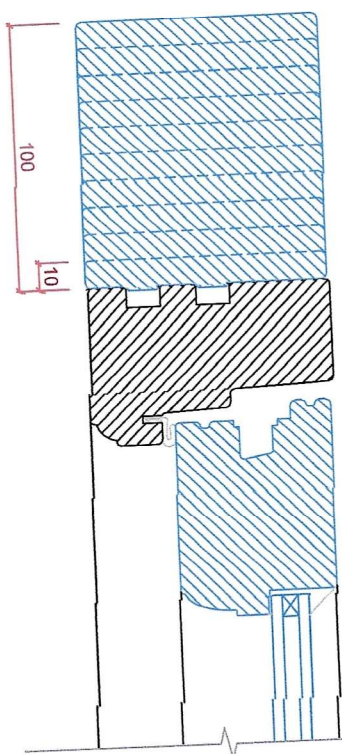




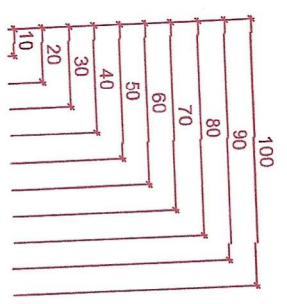
TOLERANCES UNLESS OTHERWISE SPECIFIED
ALL DIMENSIONS IN MM
ALL LINEAR DIMENSIONS ±0.5
ALL ANGLE DIMENSIONS ±0.5
BREAK ALL SHARP EDGES 0.5

DRAWN BY: LH
DATE DRAWN: 01/08/2019
SCALE: 1:2
DIN A3
TITLE: HORIZONTAL AND VERTICAL SECTION DETAILS - ADDON OPTIONS
PRODUCT RANGE: FLUSH CASEMENT (Ovolo) 14mm Narrow Cavity Unit

BOTTOM ADDON OPTIONS
(10mm to 100mm)

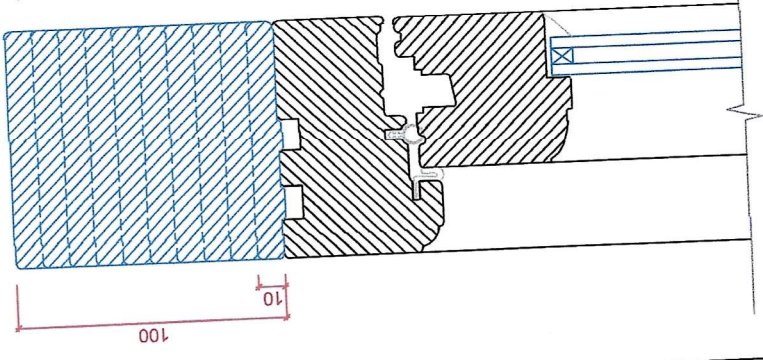


HEAD ADDON OPTIONS (10mm to 100mm)

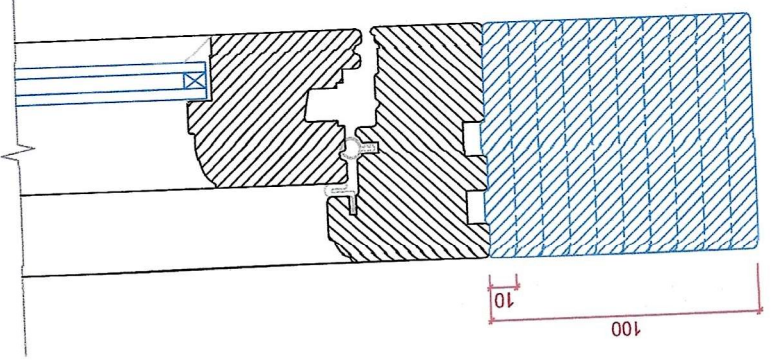


90

RH JAMB ADDON OPTIONS (10mm to 100mm)



LH JAMB ADDON OPTIONS (10mm to 100mm)



ALL MEASUREMENTS ARE FINISHED DIMENSIONS IN MM.

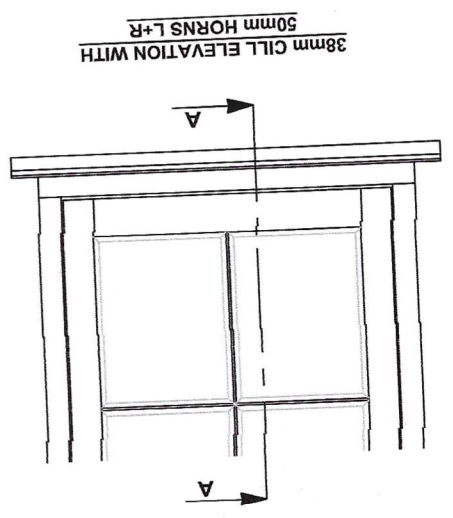
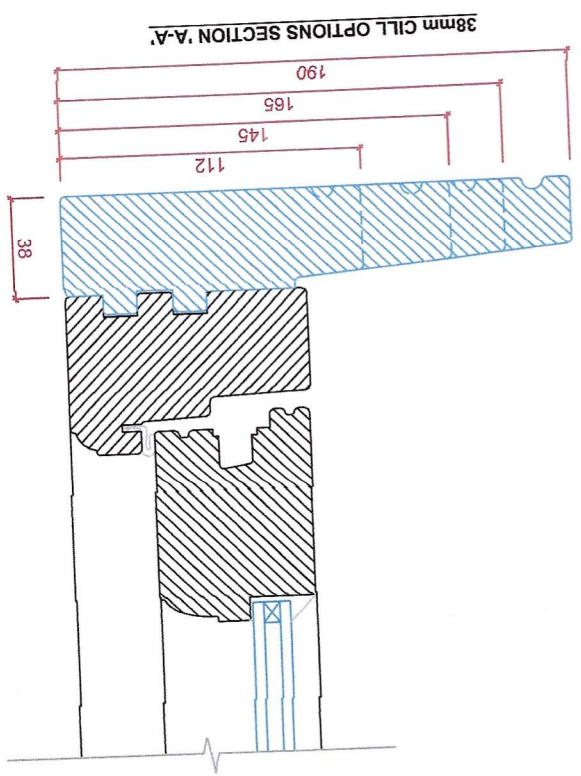
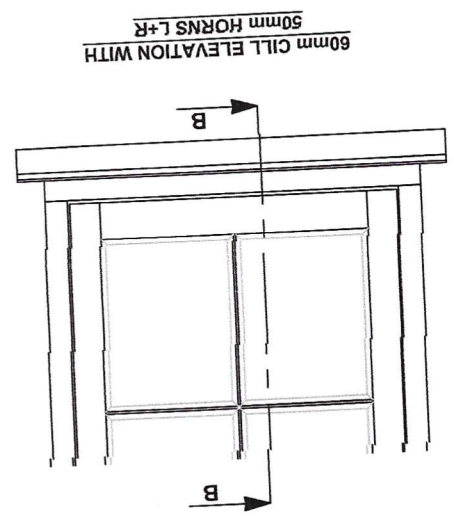
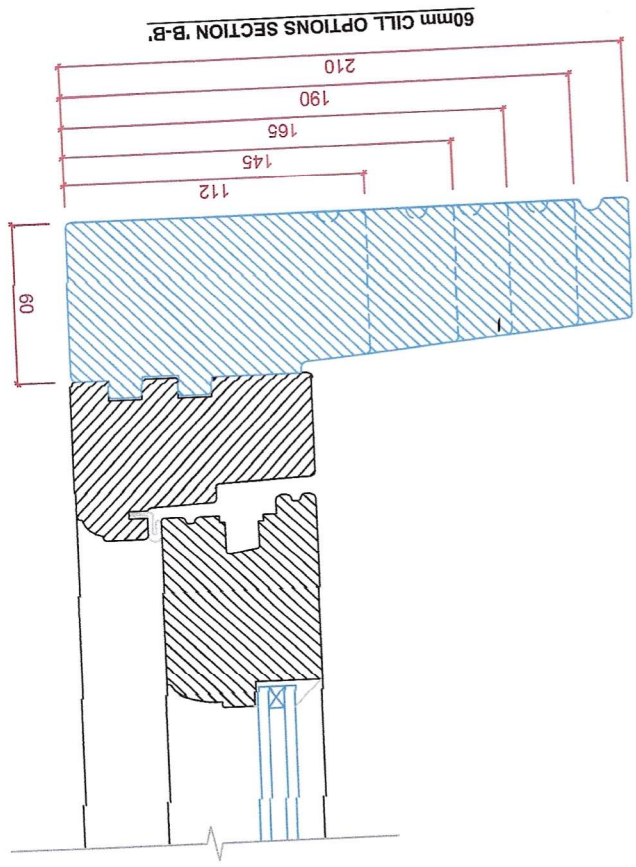
DO NOT SCALE DRAWING!

DATE DRAWN: 01/08/2019	SCALE: 1:2, 1:10	DRW AS
DRAWN BY: LH	TITLE	
- CILL OPTIONS		
VERTICAL SECTION DETAIL		
PRODUCT RANGE: FLUSH CASEMENT (Ovolo)		
14mm Narrow Cavity Unit		

TIMBER WINDOWS
EST. 2004

TOLERANCES
UNLESS OTHERWISE SPECIFIED

ALL DIMENSIONS IN MM
ALL LINEAR DIMENSIONS ±0.5
ALL ANGLE DIMENSIONS ±0.5
BREAK ALL SHARP EDGES 0.5



THIS DRAWING AND SPECIFICATIONS ARE THE PROPERTY OF THE PERFORMANCE WINDOW GROUP. THEY ARE ISSUED IN STRICT CONFIDENCE AND SHALL NOT BE REPRODUCED, COPIED OR USED AS THE BASIS FOR MANUFACTURING WITHOUT WRITTEN PERMISSION.