

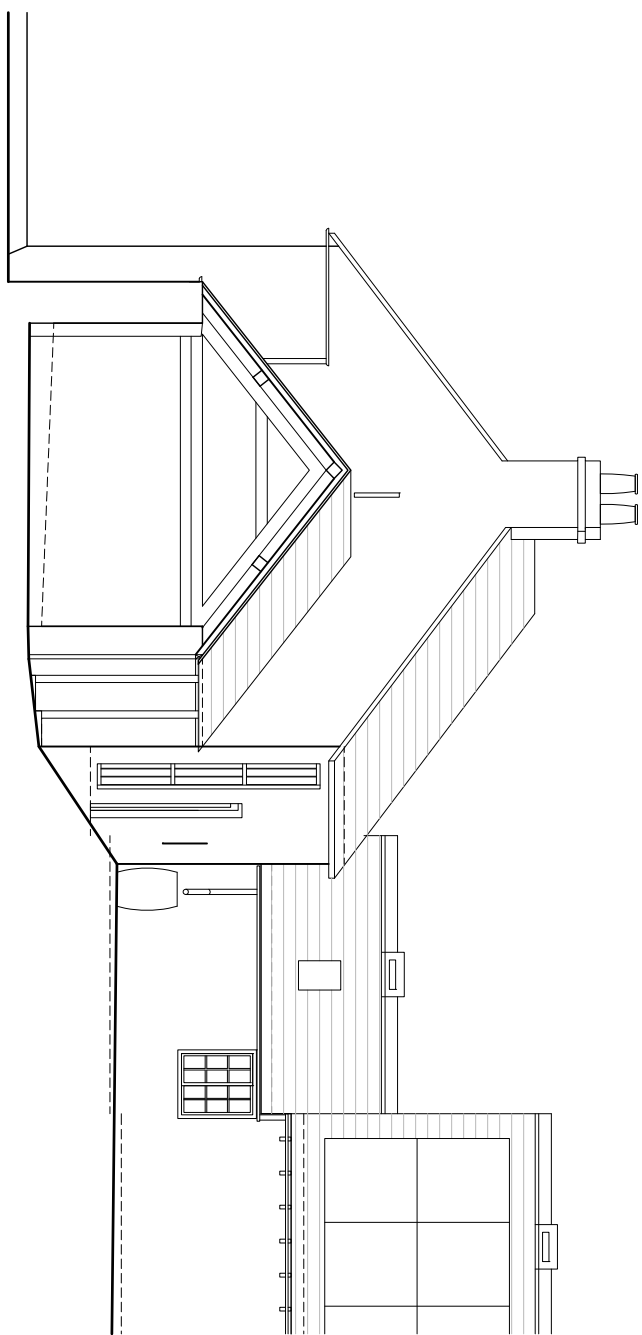
DO NOT SCALE FROM THIS DRAWING

Only written dimensions are to be taken from this drawing & verified by the Main Contractor on site before commencing any work or shop drawings. Any discrepancies are to be reported to the architect immediately. If this drawing exceeds quantities taken in any way the architect is to be informed before the work is initiated.

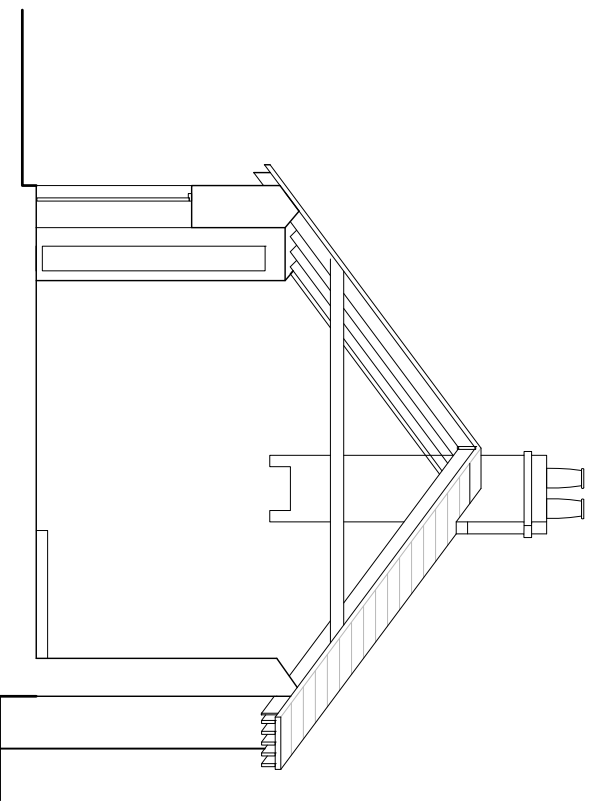
Copyright of this drawing is retained by Harrison Architects Studio Ltd and must not be reproduced in any part without obtaining written consent.

Refer to Designers Risk Assessment for significant and/or unusual hazards

Key Plan



SECTION A - A



SECTION B - B

DRAWING STATUS

Rev	Drawn	Reason for issue	Date
A	SH	First Issue - Client	10.03.22
B	SH	Roof amended following additional data	12.07.22

HARRISON ARCHITECTS STUDIO LTD

Unit 5,
South Acomb Farm,
Bywell,
Stocksfield,
NE43 7AQ

07917 633 737
sarah@harrison-architects.com

Project
NORTH FARM, HALLINGTON

Client
MR C CAYGILL & MS J OSWALD

Description
EXISTING SECTIONS

Drawing	Scale @ A3	Revision
1941-E-004	1:100	B