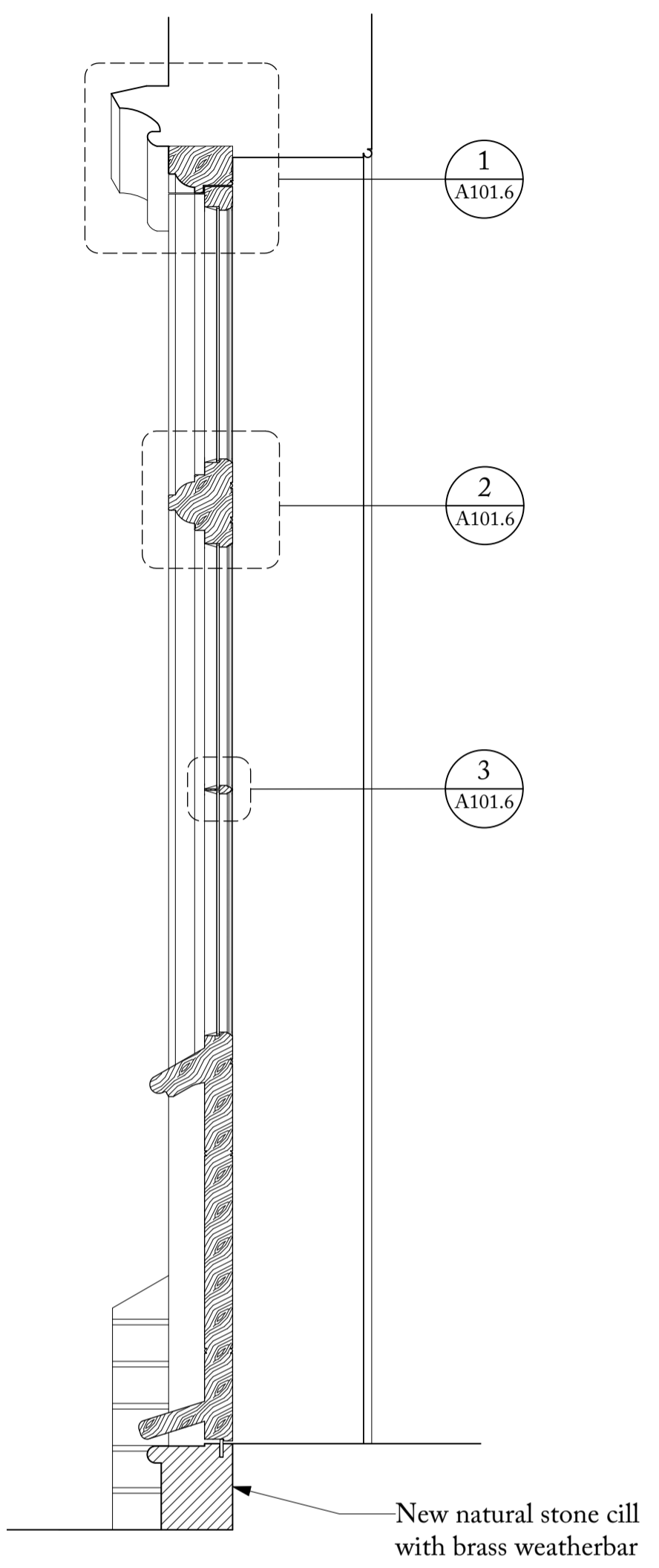
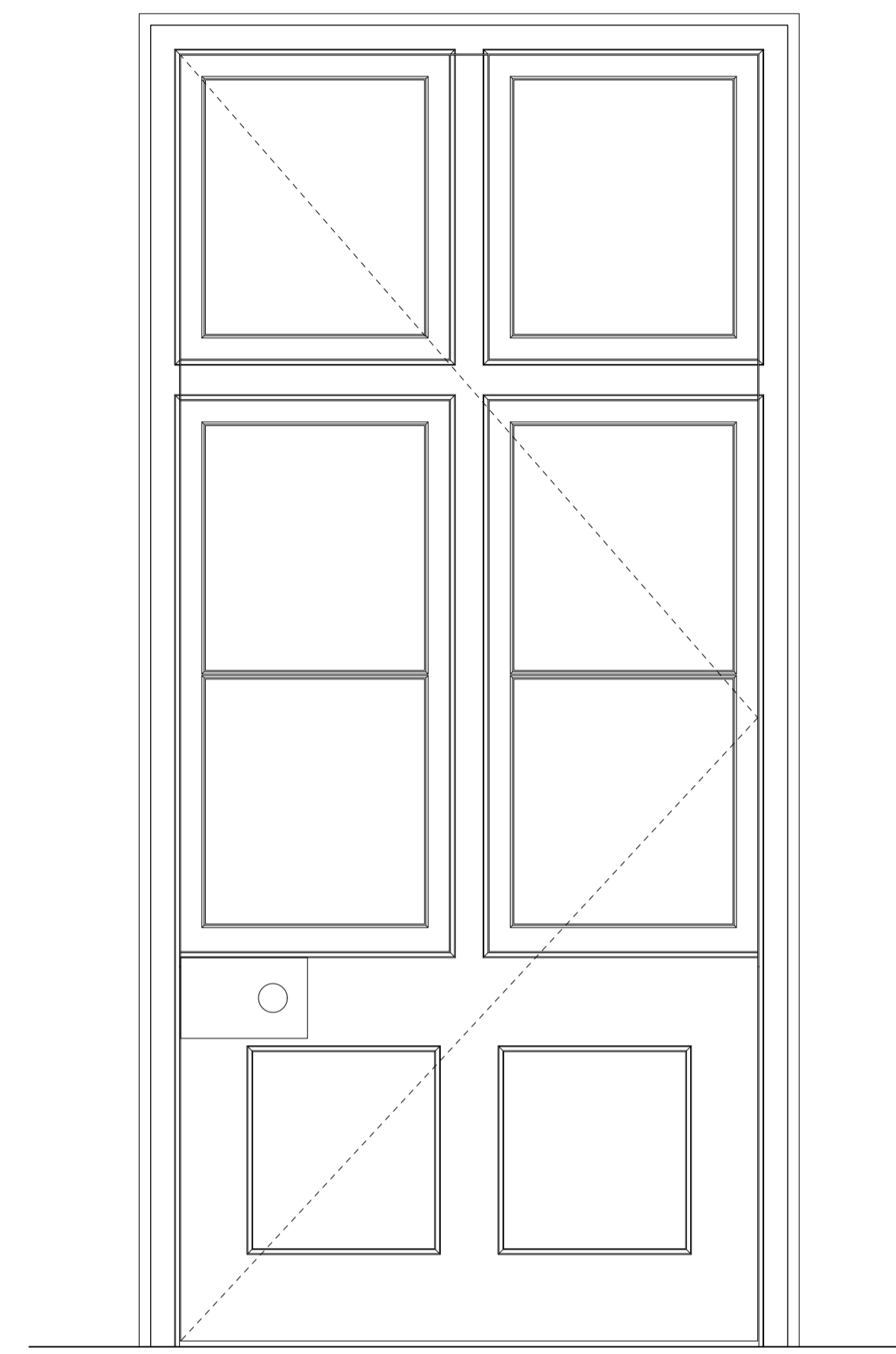


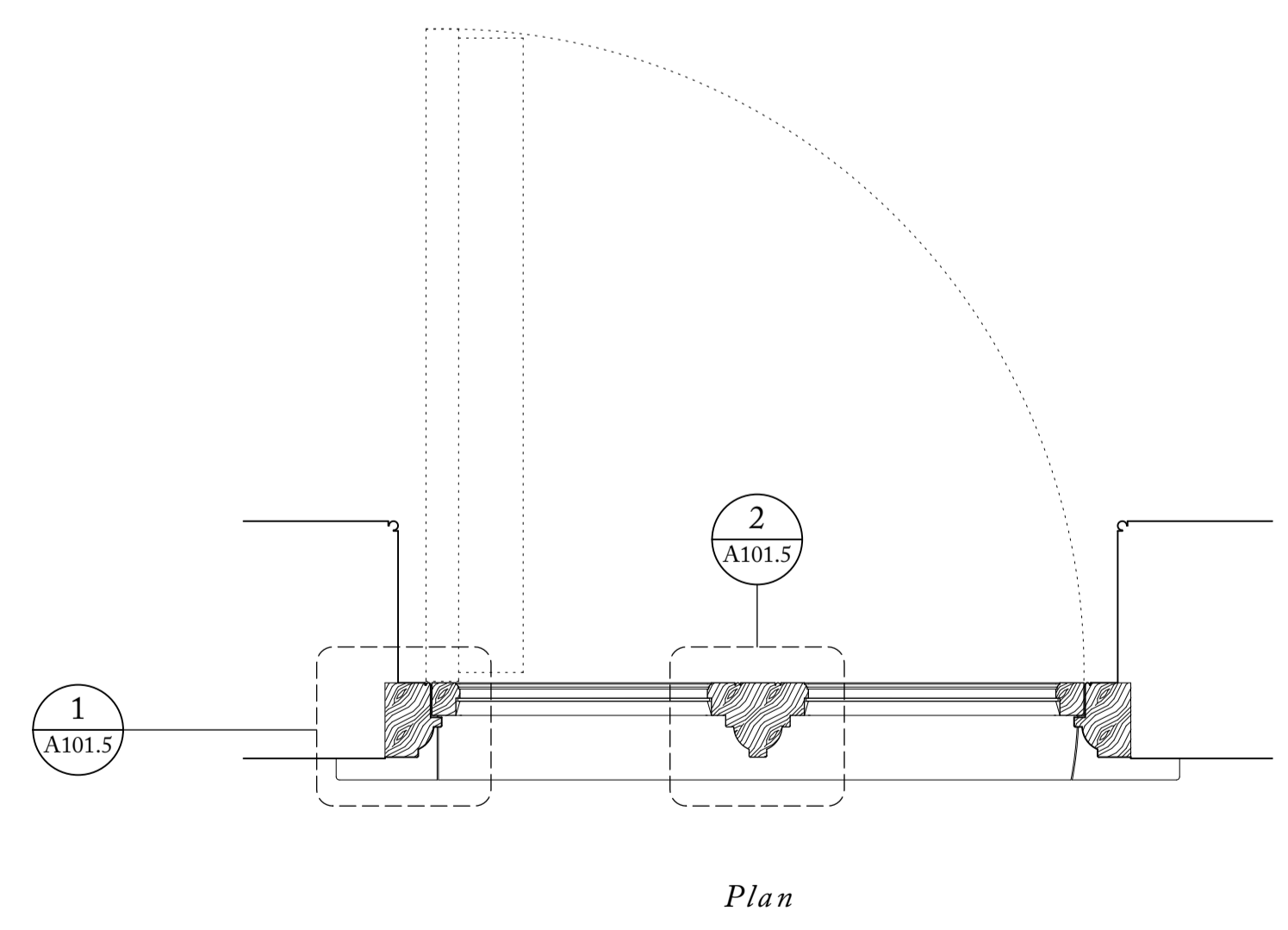
External elevation



Section



Internal elevation



Plan

Detailing of window conversion to exactly match existing window door to north-east elevation



**Materials**

- Painted timber with frame and mullions reused.
- Glazing - Original glass retained
- Cill - Natural stone

REV. NO	AMENDMENT	DATE
P1	Issued for Planning	02.11.22

<b>Ben Pentreath</b>		3 Lamp Office Court Lamb Conduit Street London WC1N 3NF T +44 (0) 20 7430 2424 benpentreath.com
PROJECT:	HELMINGHAM HALL	
TITLE:	PROPOSED KITCHEN WINDOW DOOR	
DRAWING NO: A-101.4	REV. NO: -	
SCALE: 1:10@A1 1:20@A3	DRAWN BY: PWD	
DATE: 02.11.22	CHECKED BY: RJC	

All dimensions to be checked on site.  
All designs © Ben Pentreath Ltd 2020. Not to be reproduced without permission