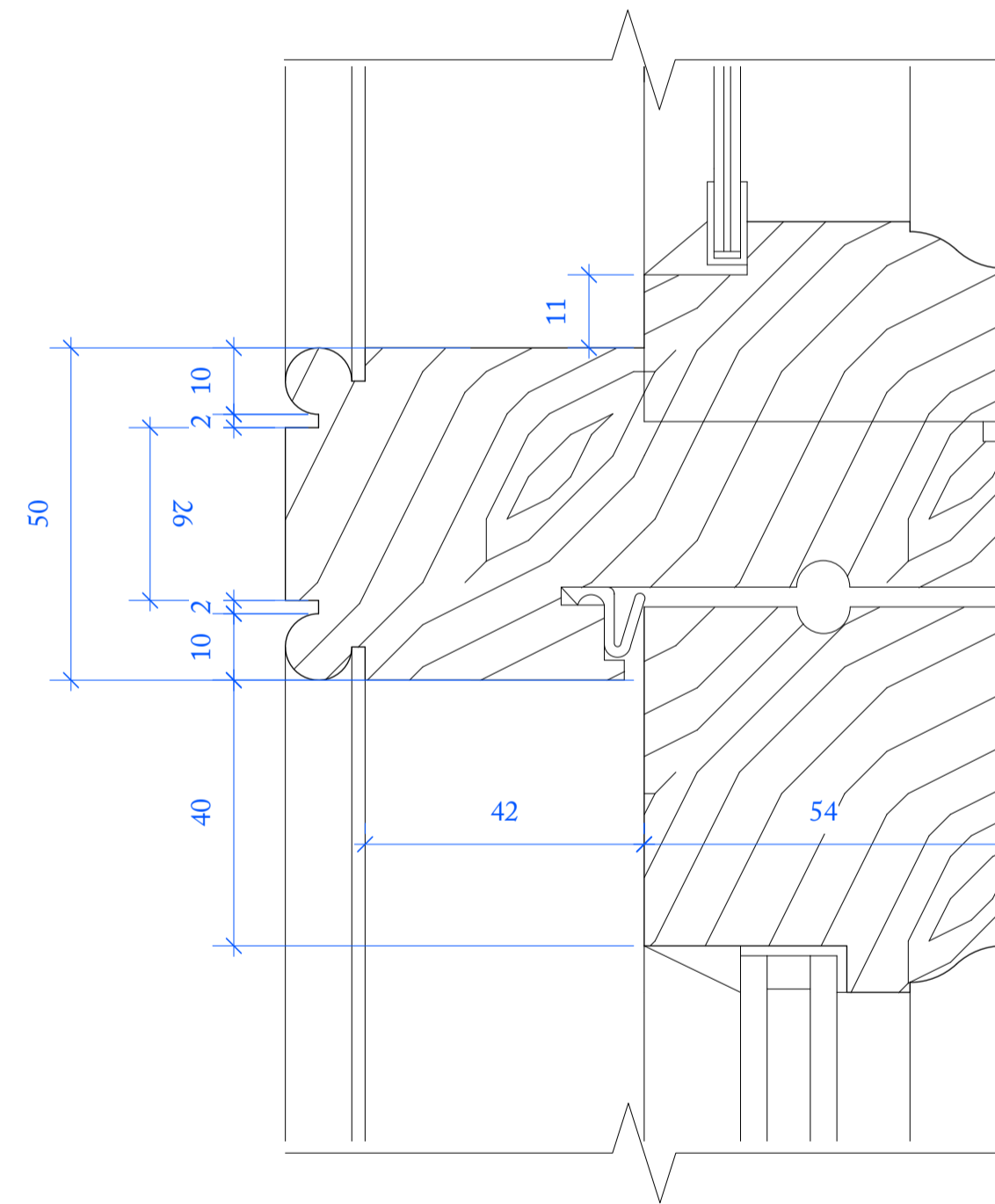
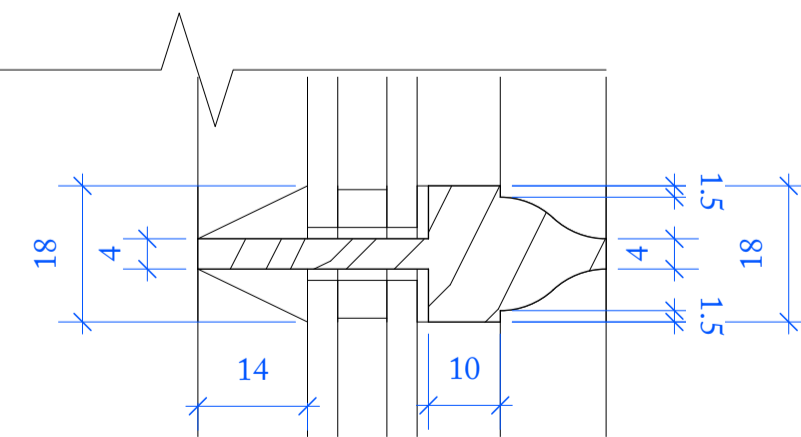


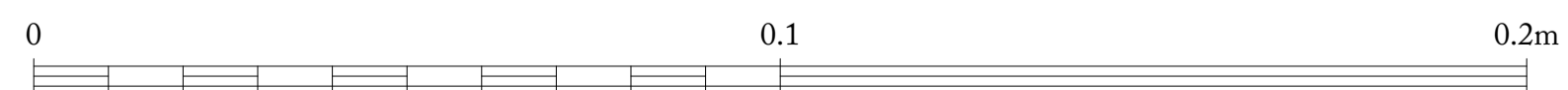
1 SCREEN FRAME HEAD DETAIL
1:1 @ A1



2 SCREEN FRAME TRANSOM DETAIL
1:1 @ A1



3 SCREEN FRAME GLAZING BAR
1:1 @ A1



P1	Issued for Planning	08.11.22
REV. NO.	AMENDMENT	DATE

Ben Pentreath		3 Lamp Office Court Lambs Conduit Street London WC1N 3NF T +44 (0) 20 7430 2424 benpentreath.com
PROJECT:	HELMINGHAM HALL	
TITLE:	PROPOSED BOOT ROOM SCREEN DETAILS	
DRAWING NO: A-103.5	REV. NO:	P1
SCALE:	1:1@A1 1:2@A3	DRAWN BY: AM
DATE:	08.11.22	CHECKED BY: RJC

All dimensions to be checked on site.
All designs © Ben Pentreath Ltd 2020. Not to be reproduced without permission