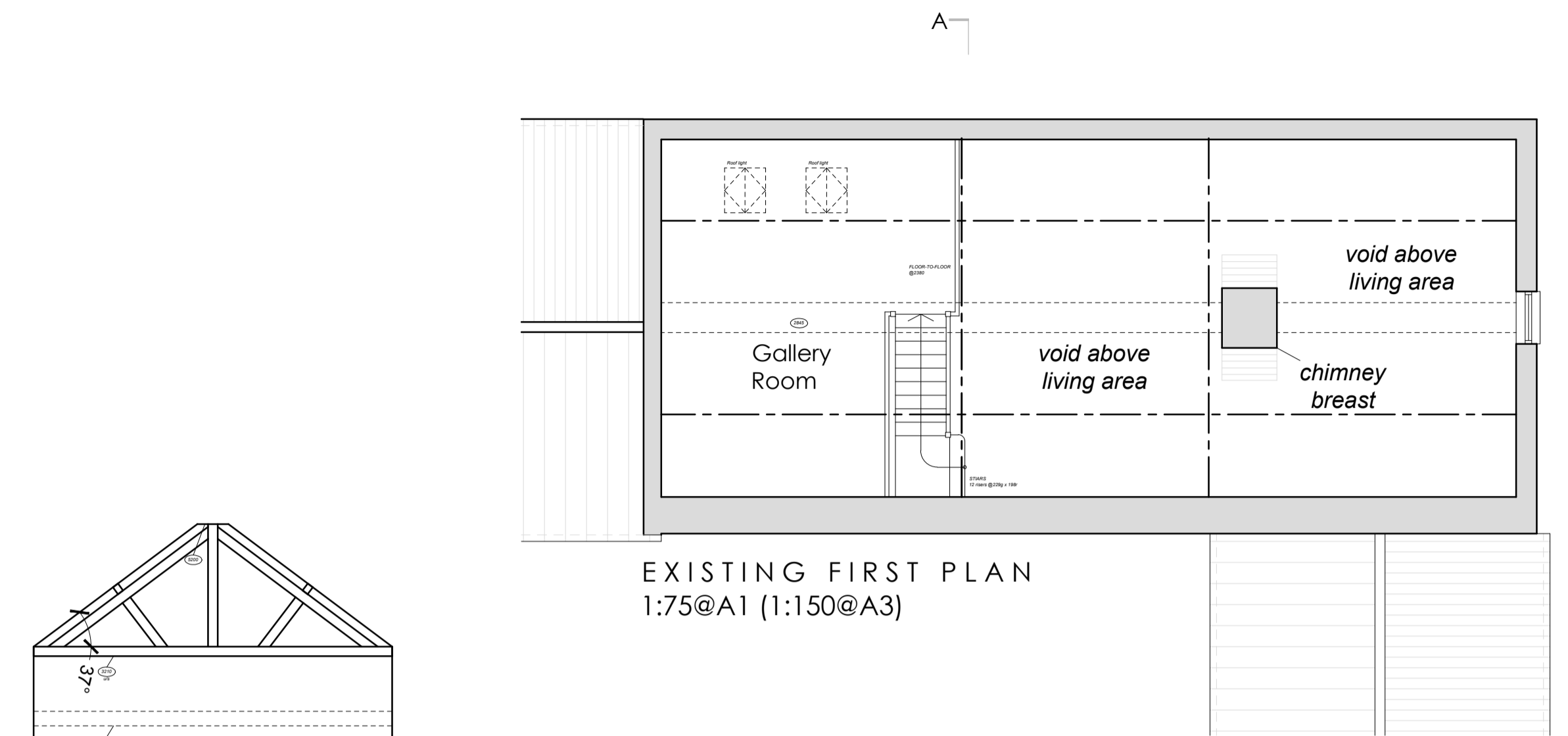
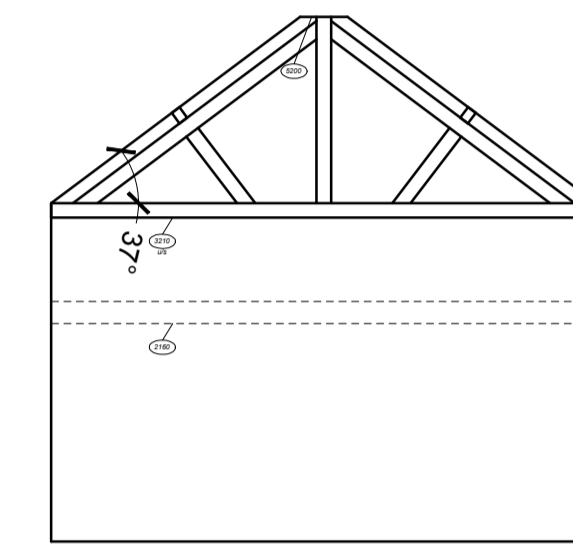


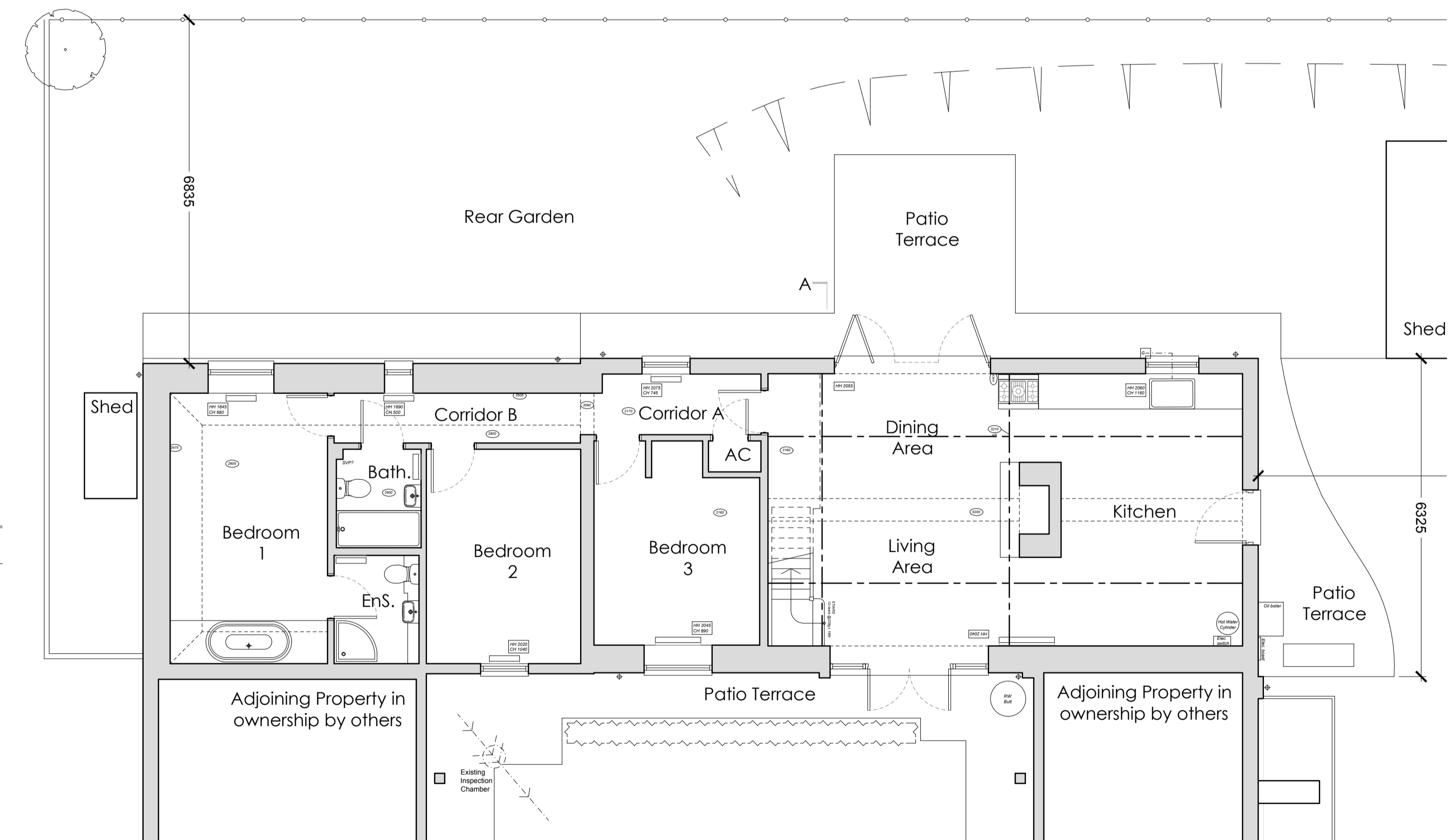
EXISTING SITE PLAN
1:125@A1 (1:250@A3)



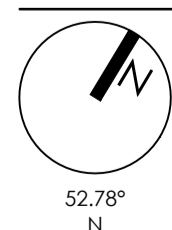
EXISTING FIRST PLAN
1:75@A1 (1:150@A3)



(BASIC) EXISTING SECTION
1:75@A1 (1:150@A3)



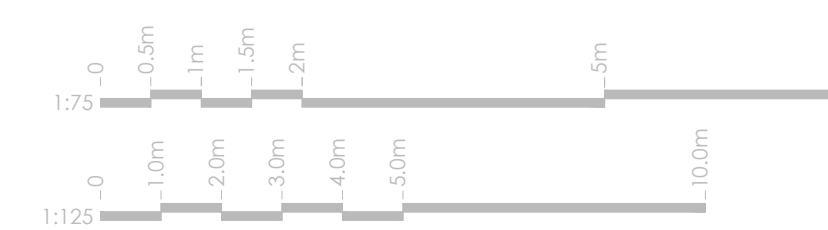
EXISTING GROUND PLAN
1:75@A1 (1:150@A3)



REV	DATE	AMENDMENTS
P00	07/03/2022	Initial issue

NOTES
 • Further investigations and measurements may need to be obtained.
 • Dimensions to be checked onsite before construction information generated/ordered.

DO NOT SCALE FROM THIS DRAWING ALL DIMENSIONS TO BE CONFIRMED ON SITE BY THE CONTRACTOR PRIOR TO CONSTRUCTION



DRAWING
Existing Site & Floor Plans

email: clb.2009@live.co.uk

tel: 07943 615514
www.olplans.co.uk

Residential Proposals
 JOB
 Fieldview Barn,
 Skeytton

SD WIP ISSUE			
SCALE	PAPER	DATE	REV
as shown	A1/A3	Mar'22	
JOB	NUMBER/CODE	REV	
SKEYT-AL	SK002-DR	P00	