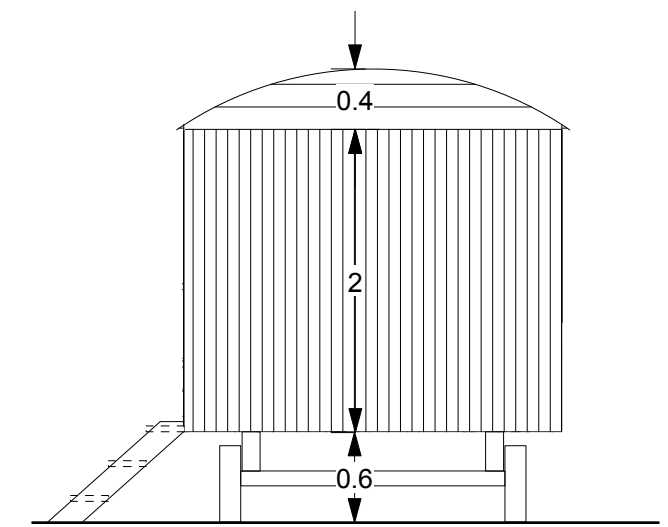
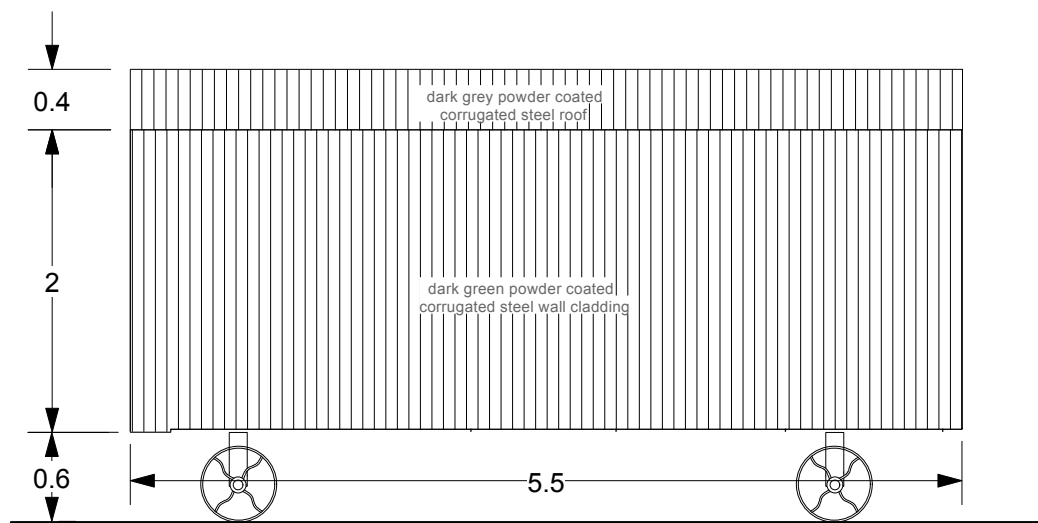


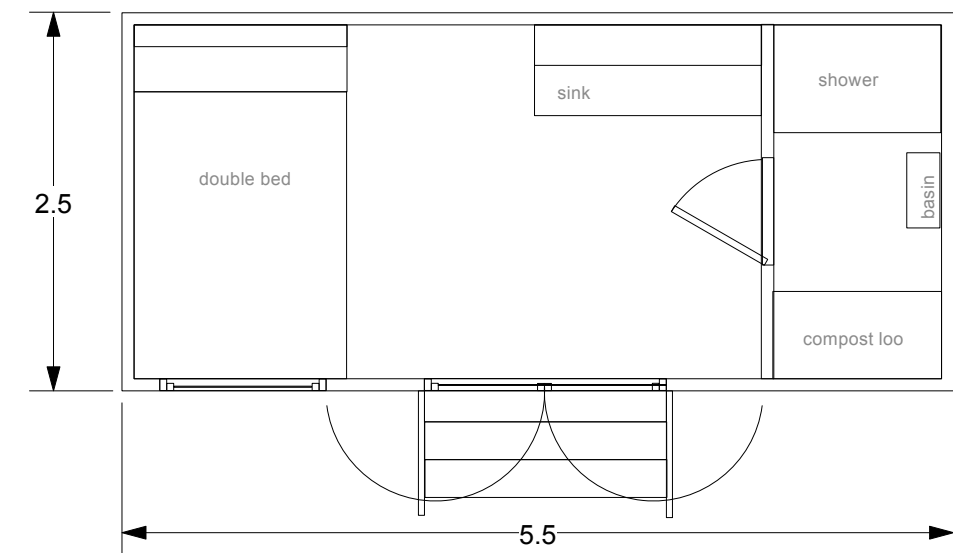
**Hut Front Elevation**  
1:50



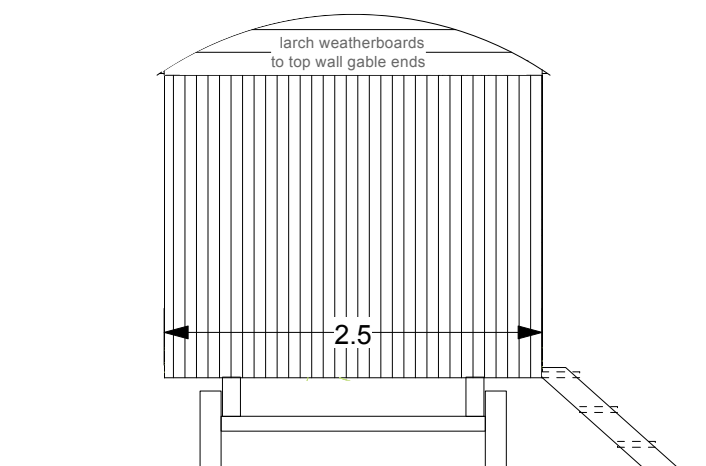
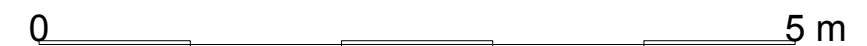
**Hut Side Elevation**  
1:50



**Hut Rear Elevation**  
1:50



**Hut Plan 1:50**



**Hut Side Elevation**  
1:50

powered living



Naturally powered contemporary homes  
www.poweredliving.co.uk

ISSUE	DATE	REVISION	PROJECT #
PROJECT	<b>Meadowview</b>		
CLIENT	<b>Helen Richards</b>		DATE 7 November 2022 DWG #
DWG	<b>Hut Elevations</b>		SCALE @ A3 1:50 00H
	CHKD	TR	REVISION

powered living ltd