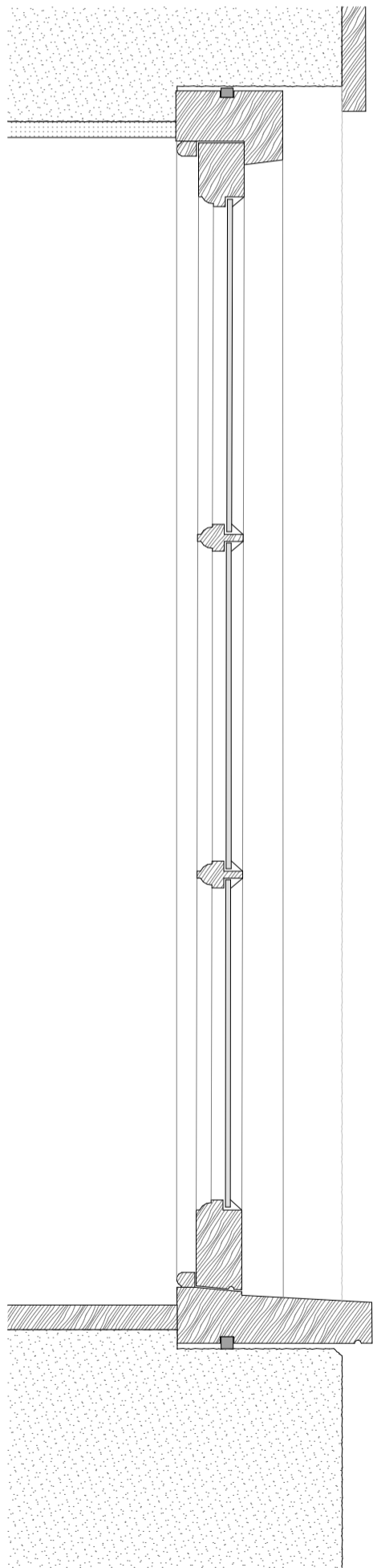
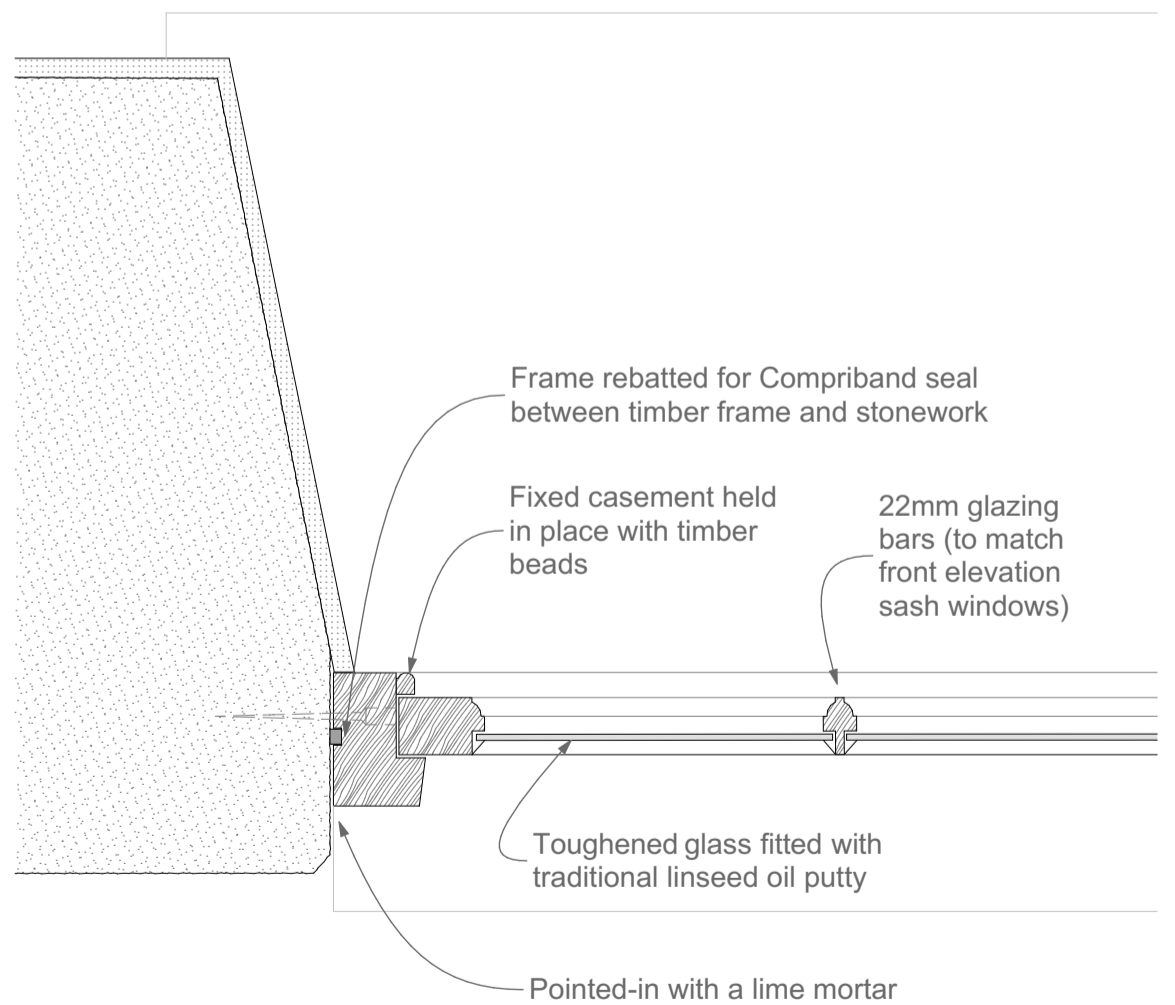


EXTERNAL ELEVATION @ 1:10



SECTION @ 1:5



JAMB @ 1:5