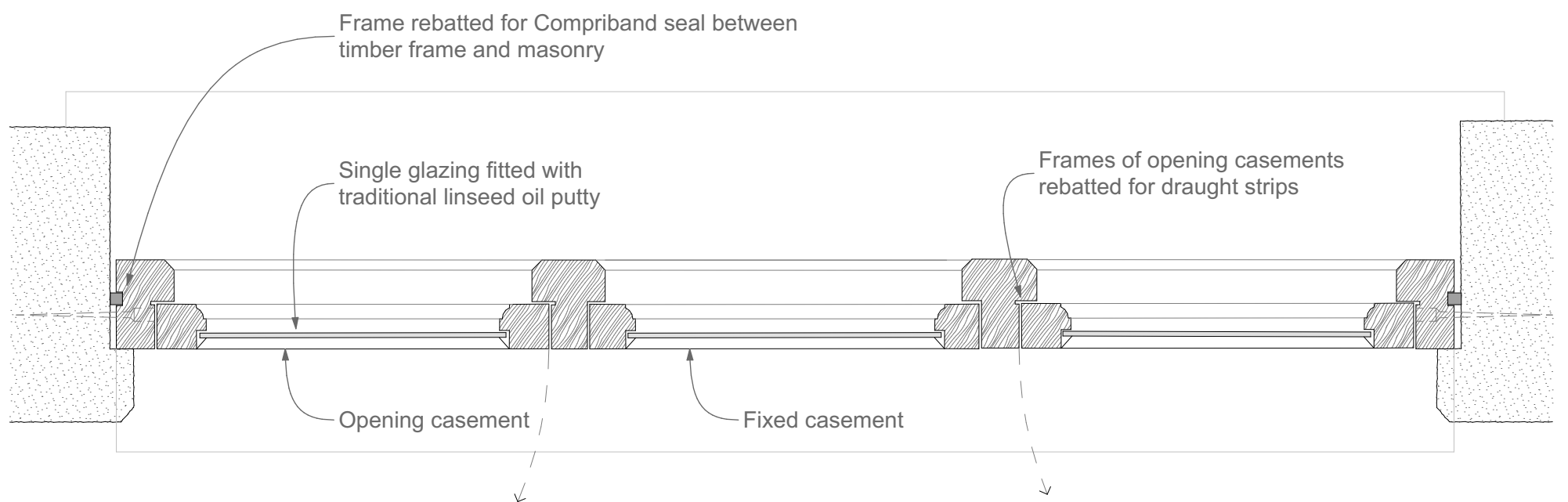


EXTERNAL ELEVATION @ 1:10

SECTION @ 1:5



PLAN @ 1:5