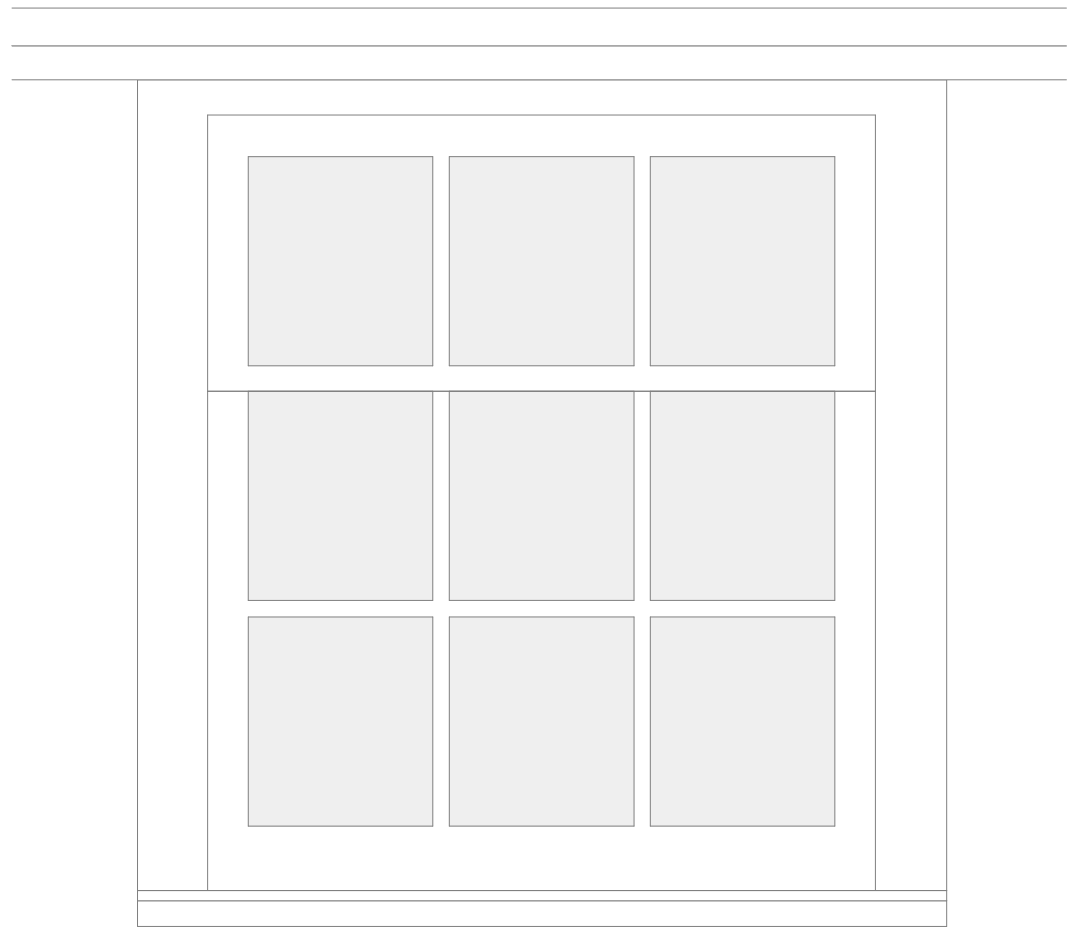
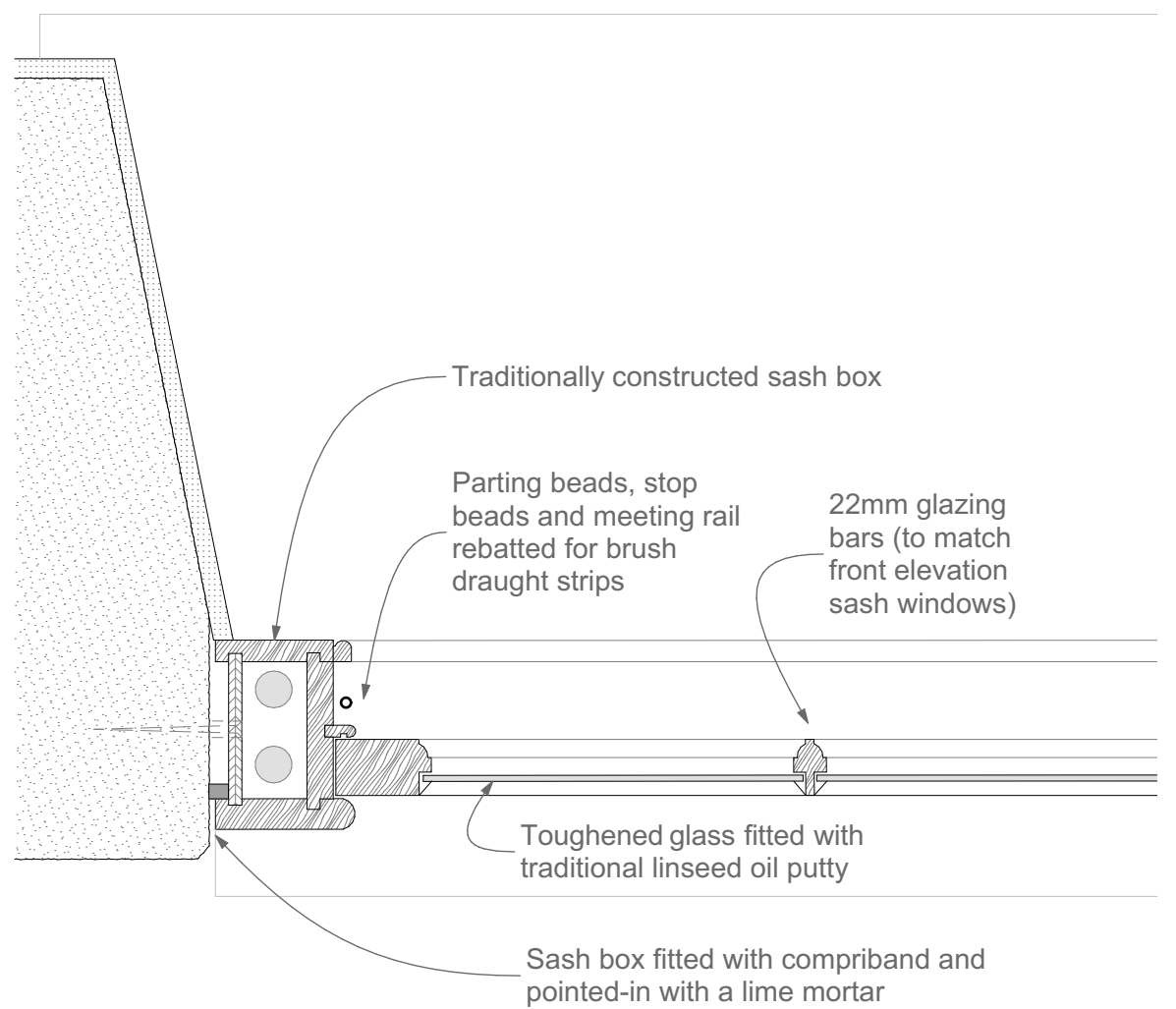


SECTION @ 1:5



EXTERNAL ELEVATION @ 1:10



JAMB @ 1:5