

First Floor Plan



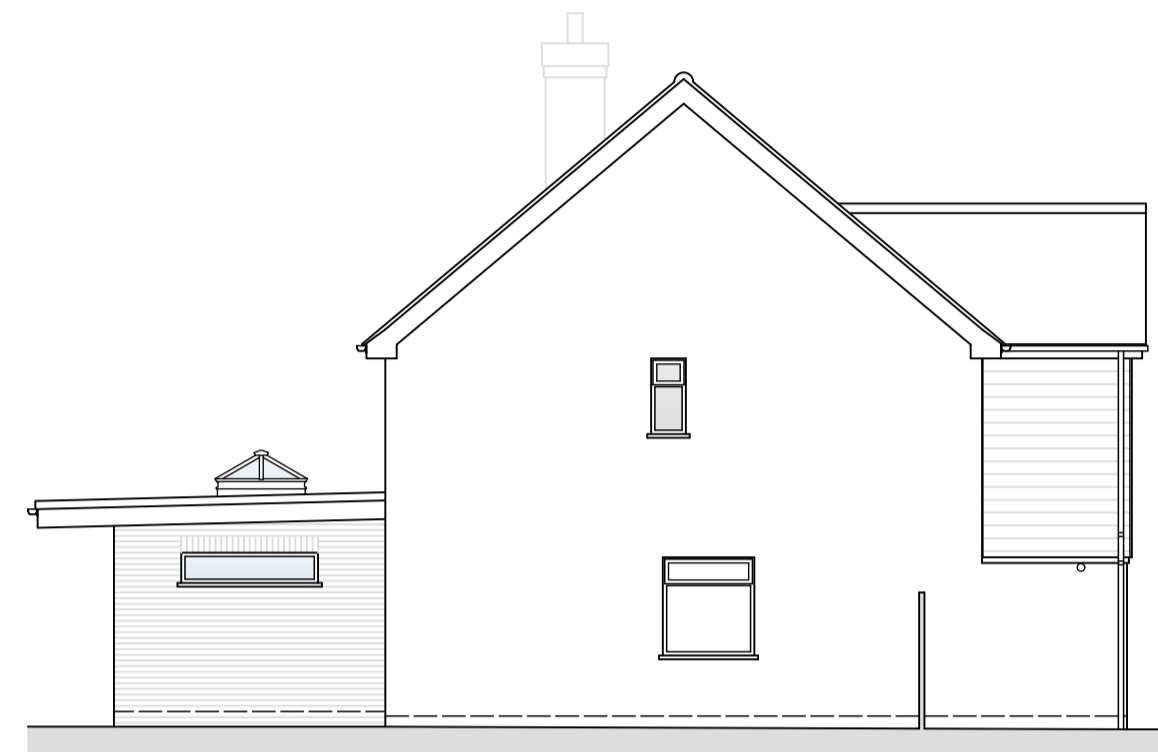
South Elevation 1:100



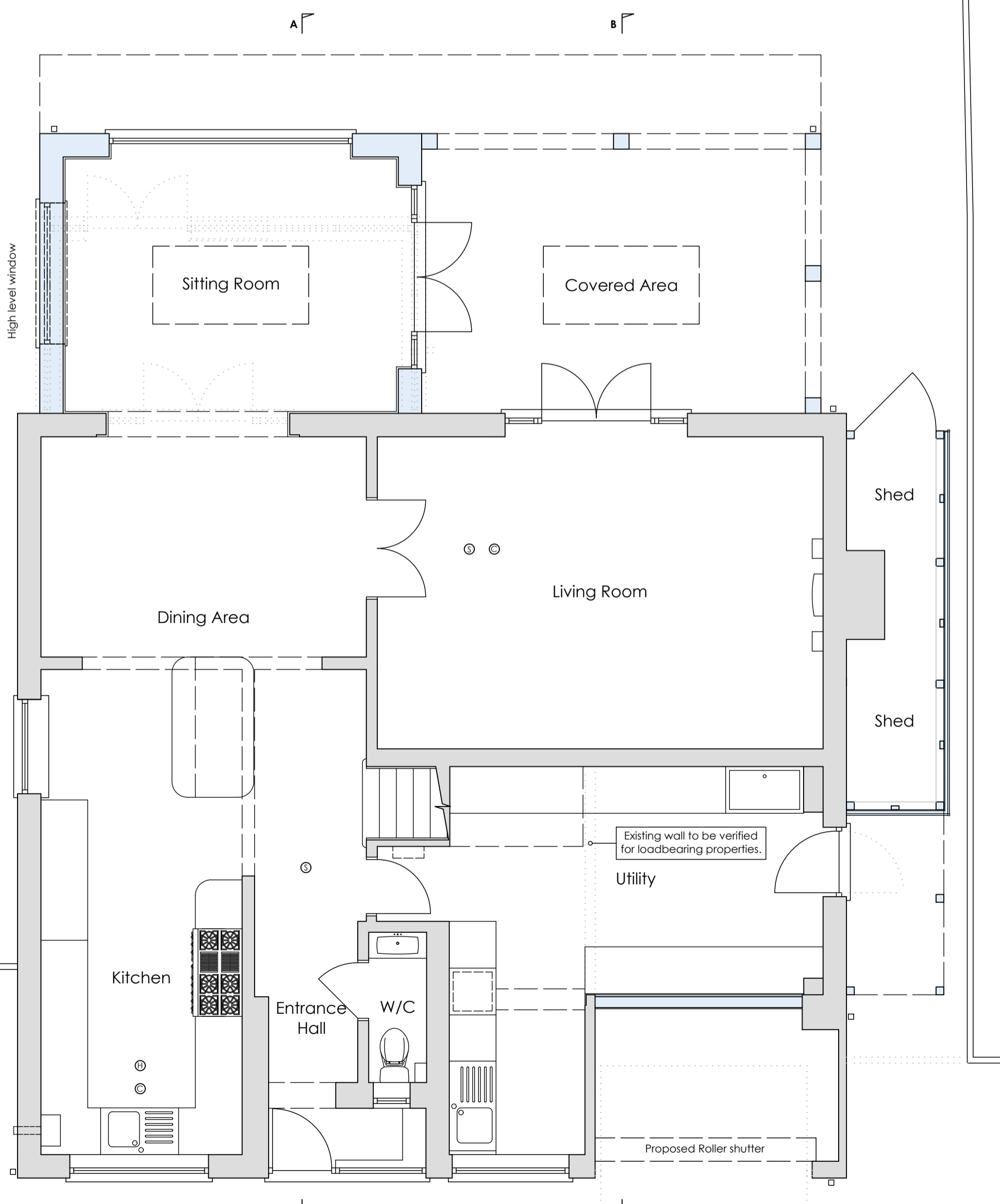
East Elevation



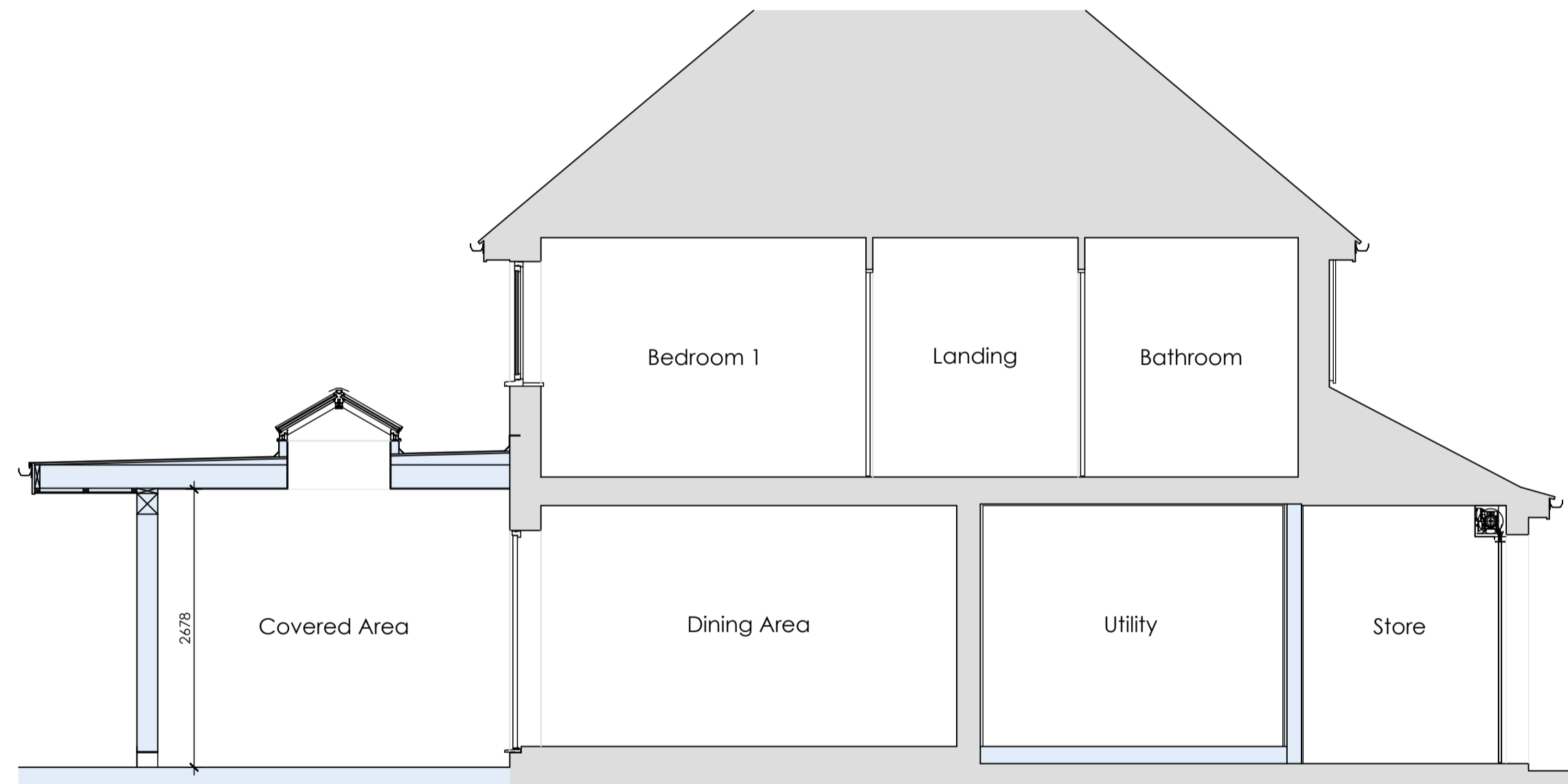
North Elevation



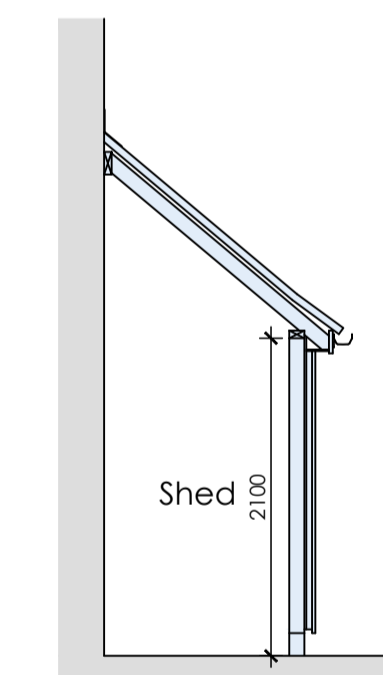
West Elevation



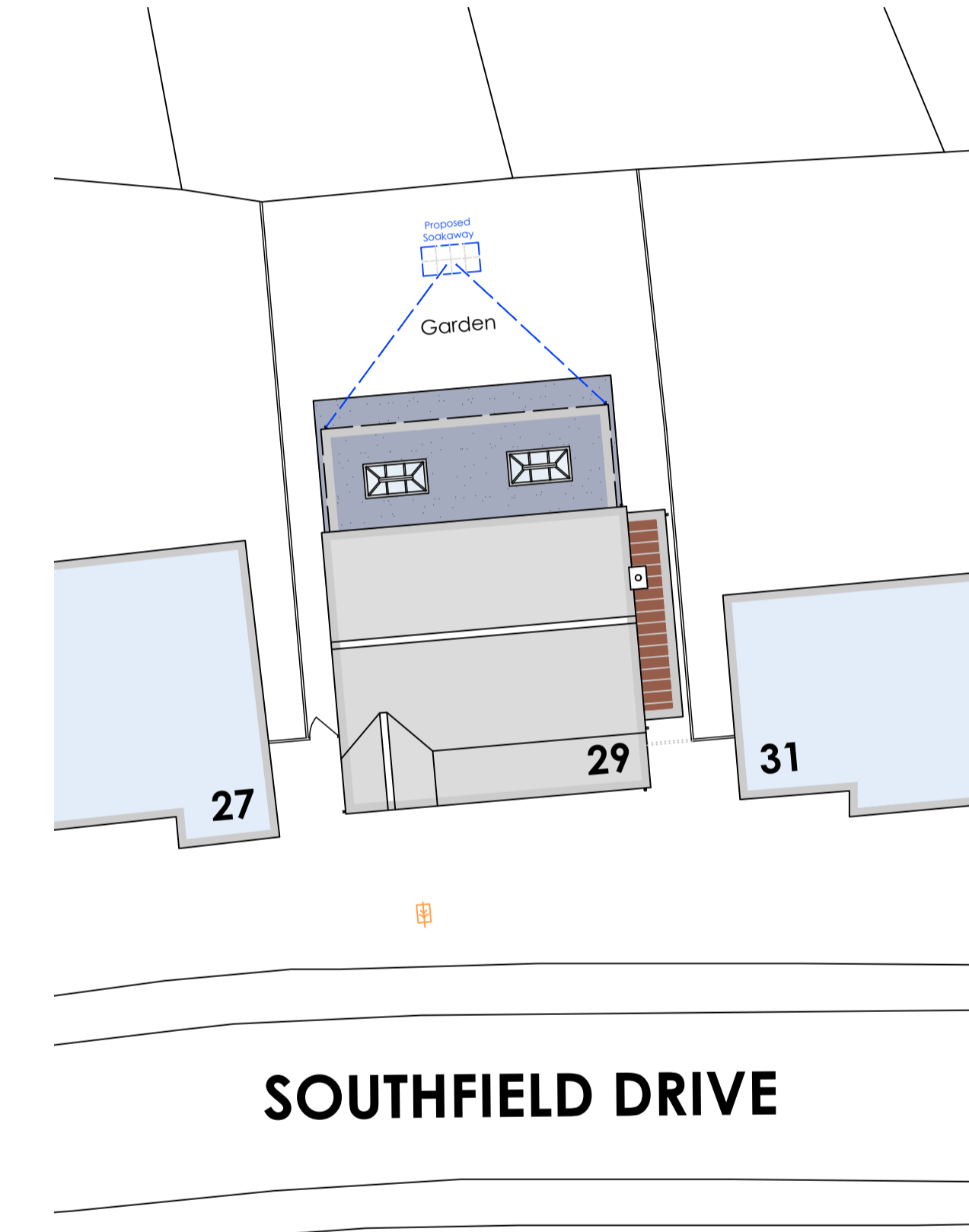
Ground Floor Plan 1:50



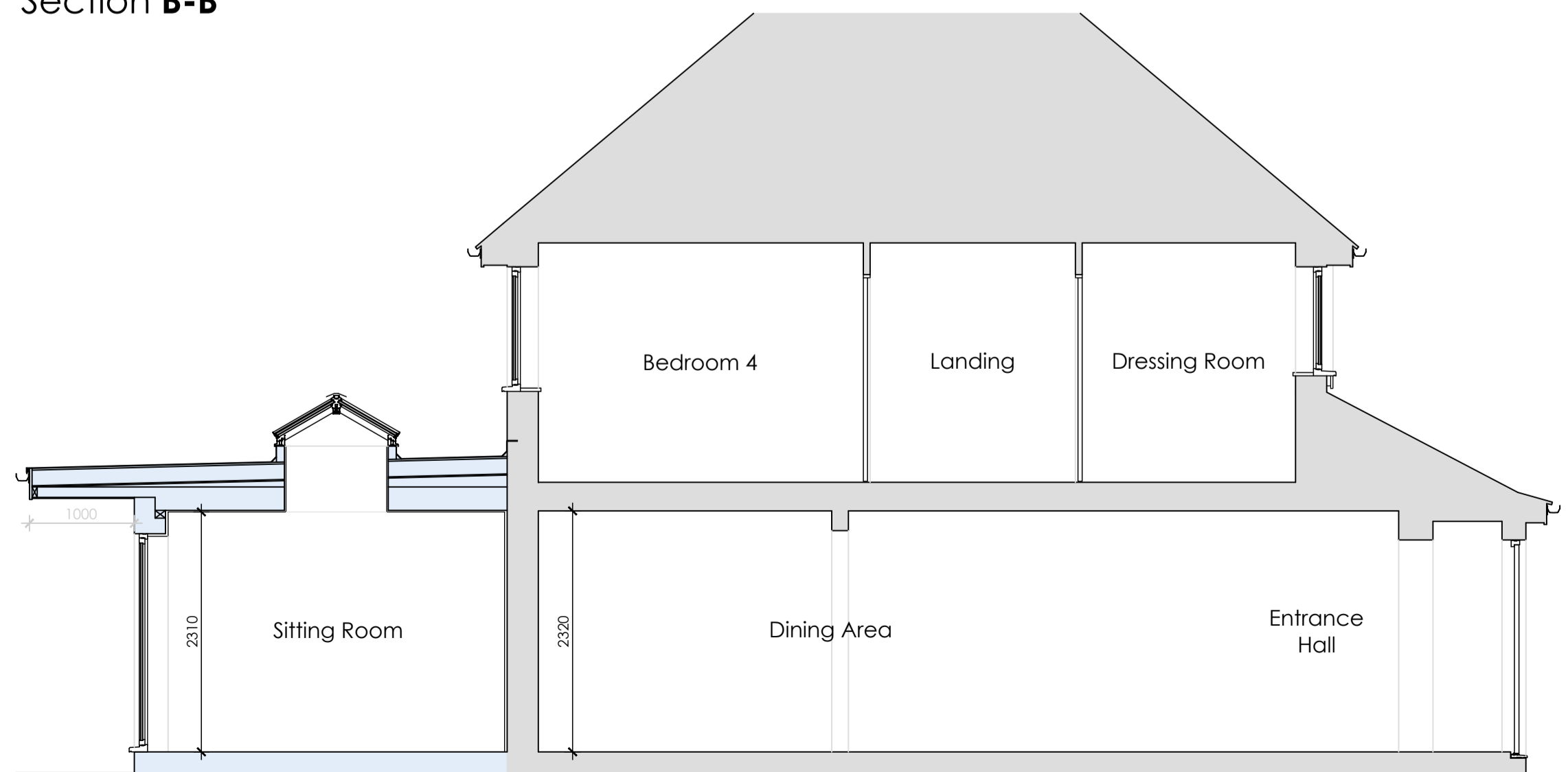
Section B-B



Shed Section



Site Plan 1:200



Section A-A 1:50

Notes
 1. The copyright of this drawing is the property of Ian H Bix Associates Ltd and must not be copied without their consent.
 2. Measurements to be checked on site by the Contractors prior to commencement of works and any discrepancies brought to the attention of the Designer.

Revisions	

IAN · H · BIX Associates Ltd
 M · C · F · A · T
 ARCHITECTURAL AND BUILDING CONSULTANTS
 SANDPIPER HOUSE, LEETE WAY, WEST WINCH
 KING'S LYNN, NORFOLK PE33 0ST
 TEL: 01553 844077 FAX: 01553 844078
 EMAIL: mail@ianbix.co.uk WEB: www.ianbix.co.uk

Project
Proposed Extension and Alterations at 29 Southfield Drive West Winch

Drawing Title
Proposed Floor Plans, Elevations, Sections and Site Plan

Scale 1:50, 1:100 & 1:200 @ A1
 Date November 2022
 Drawn AW

Drawing No.
2504-02