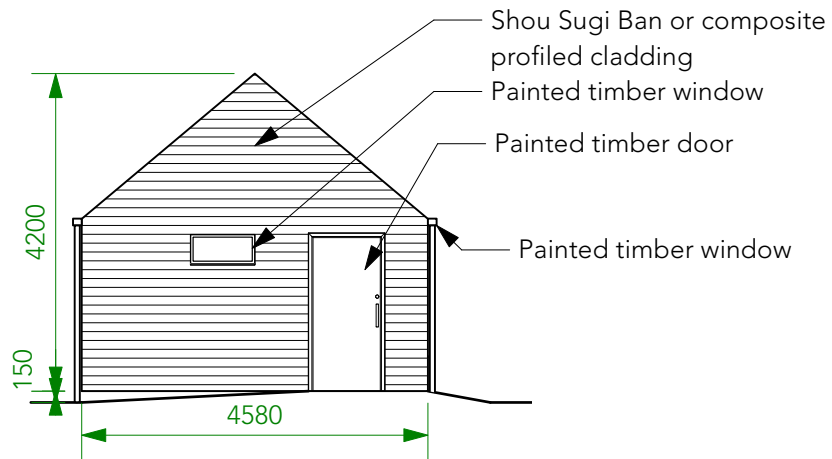
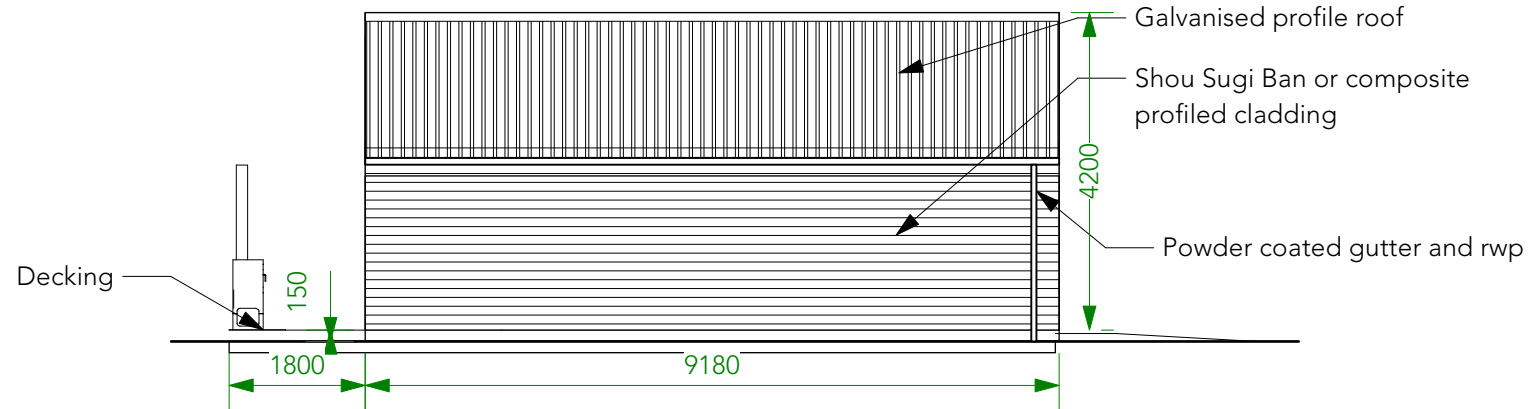


BIKE AND BOOT - ACCOMMODATION POD ELEVATIONS

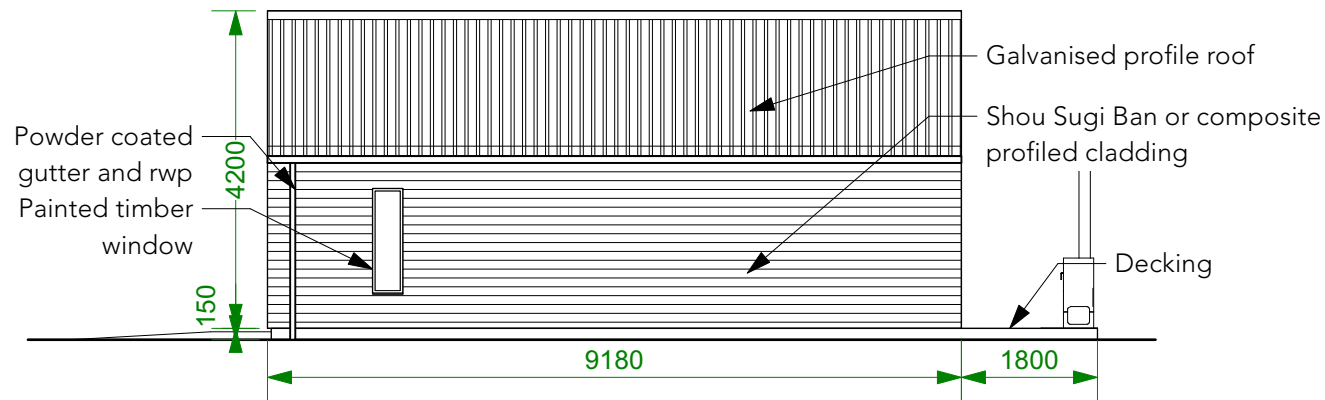
REVISION	DESCRIPTION	DATE
----------	-------------	------



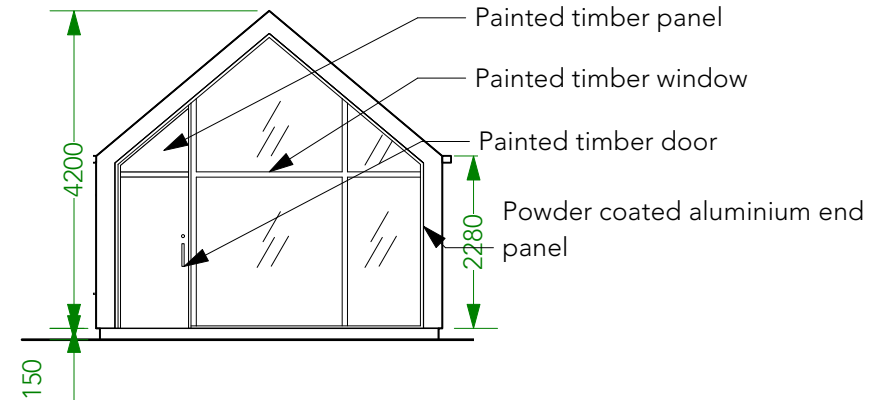
1 Front Elevation
Scale: 1:100



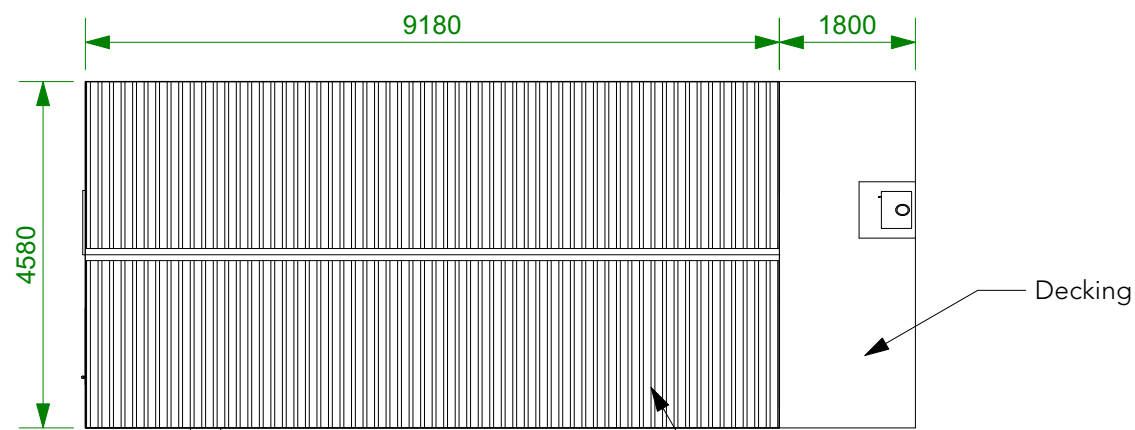
2 Side Elevation
Scale: 1:100



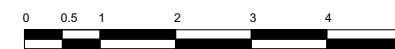
3 Side Elevation
Scale: 1:100



4 Rear Elevation
Scale: 1:100



5 Roof Plan
Scale: 1:100



6 SCALE
Scale: 1:100

See Site Plan for Building Orientation

PURPOSE OF DRAWING IS 'DESIGN INTENT' FOR INFORMATION ONLY.
PLEASE CONTACT RML TEAM IF UNSURE AND LIAISE WITH SITE TEAM TO WORK COLLABORATIVELY.

This drawing must not be copied, used or disclosed to third parties without permission of Rachel McLane. It remains Rachel McLane's property and must be returned on request. It is the contractor's responsibility to report any inconsistencies on this drawing or between drawings to Rachel McLane and to request clarification. If unsure, ask! Do not scale from this drawing. All dimensions to be checked prior to construction or manufacture.

Drawing status:
Planning & Pre tender

RACHEL MCLANE LTD
HANCOW DESIGN STUDIO, COPPICE LANE, WRELTON, PICKERING,
NORTH YORKSHIRE, YO18 8HD
T: 01653 740 036
RACHEL@RACHELMCLANE.CO.UK
WWW.RACHELMCLANE.CO.UK

Project:
Bike and Boot, Manor Farm

Title:
Accommodation Pod Elevations

Drawn by: RS/RM	Checked:	File name/No: 416
Drawing Number: BBMF_MF_GA_002	Rev: -	Scale: 1:100 @A3 Date: 03/11/22